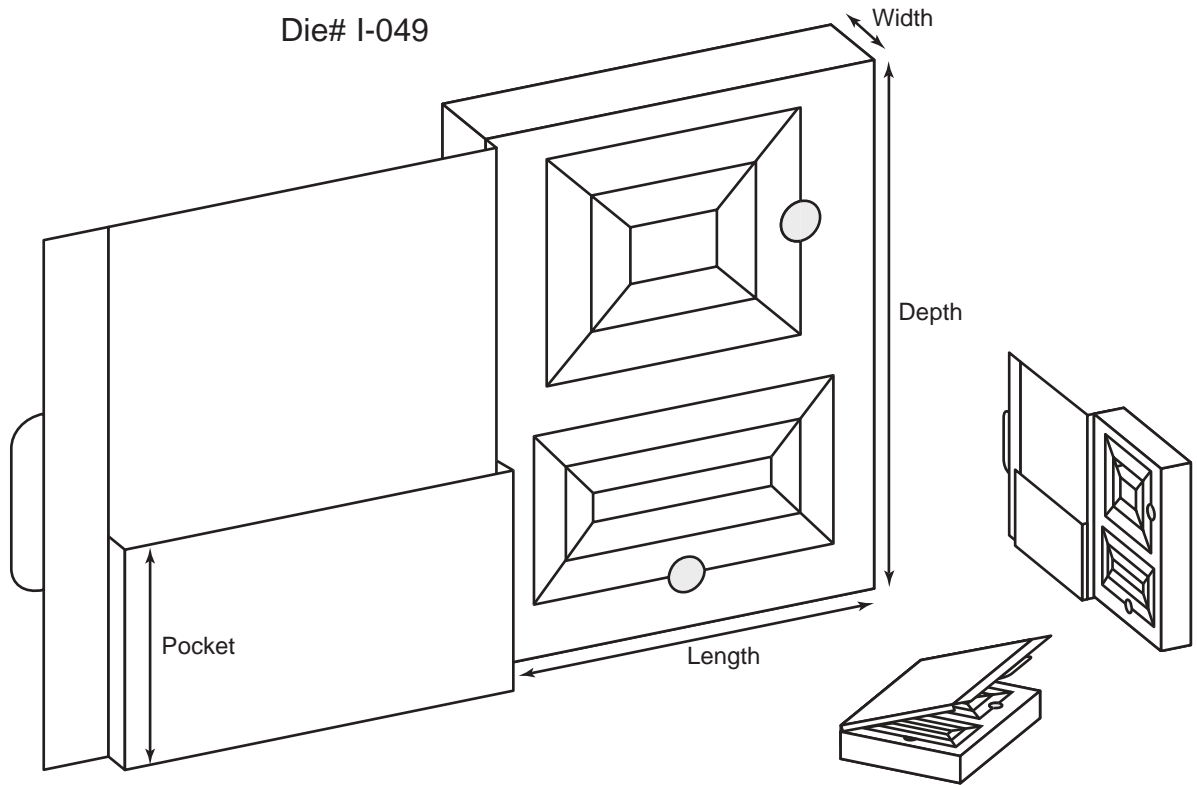


MULTIMEDIA

Product Type: VHS and Audio Presentation Packs

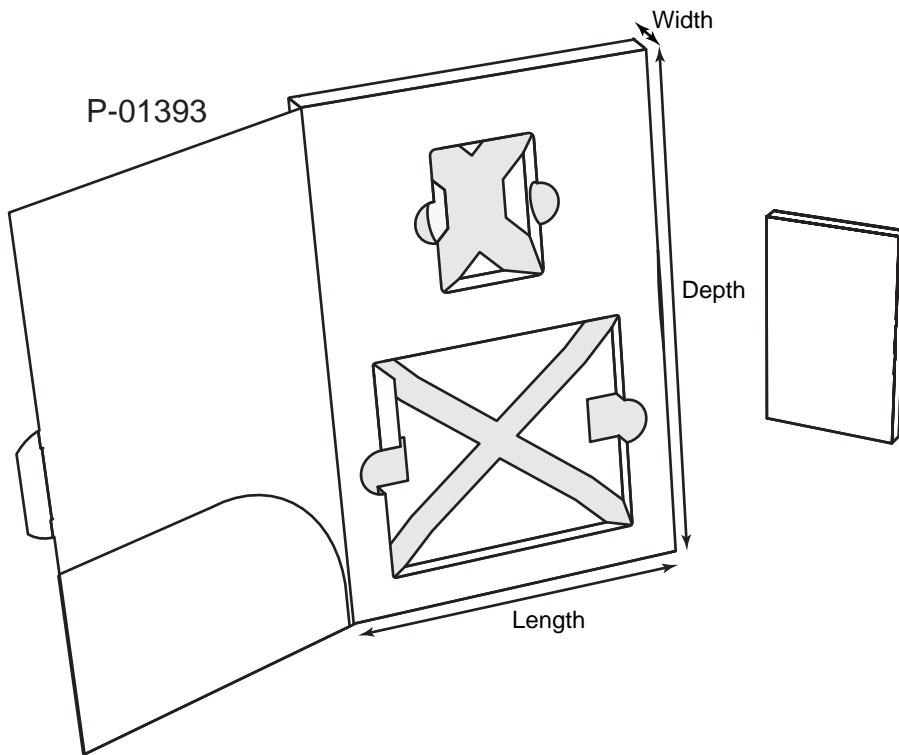
Die #	Length x Width x Depth	Description
I-108	9 x 1 x 12	Single VHS and double audio presentation pack with pocket, inset wells for VHS and audio cassette
I-109	9 x 11-5/16 x 3/8	Pocket flaps to fit I-108
I-109	2-9/16 x 7/16 x 4	O-cards 4-up -- use with Die I-108
I-109	4 x 2-9/16 x 1/2	risers 4-up; pocket flaps 2-up -- use with Die I-108

Die# I-049



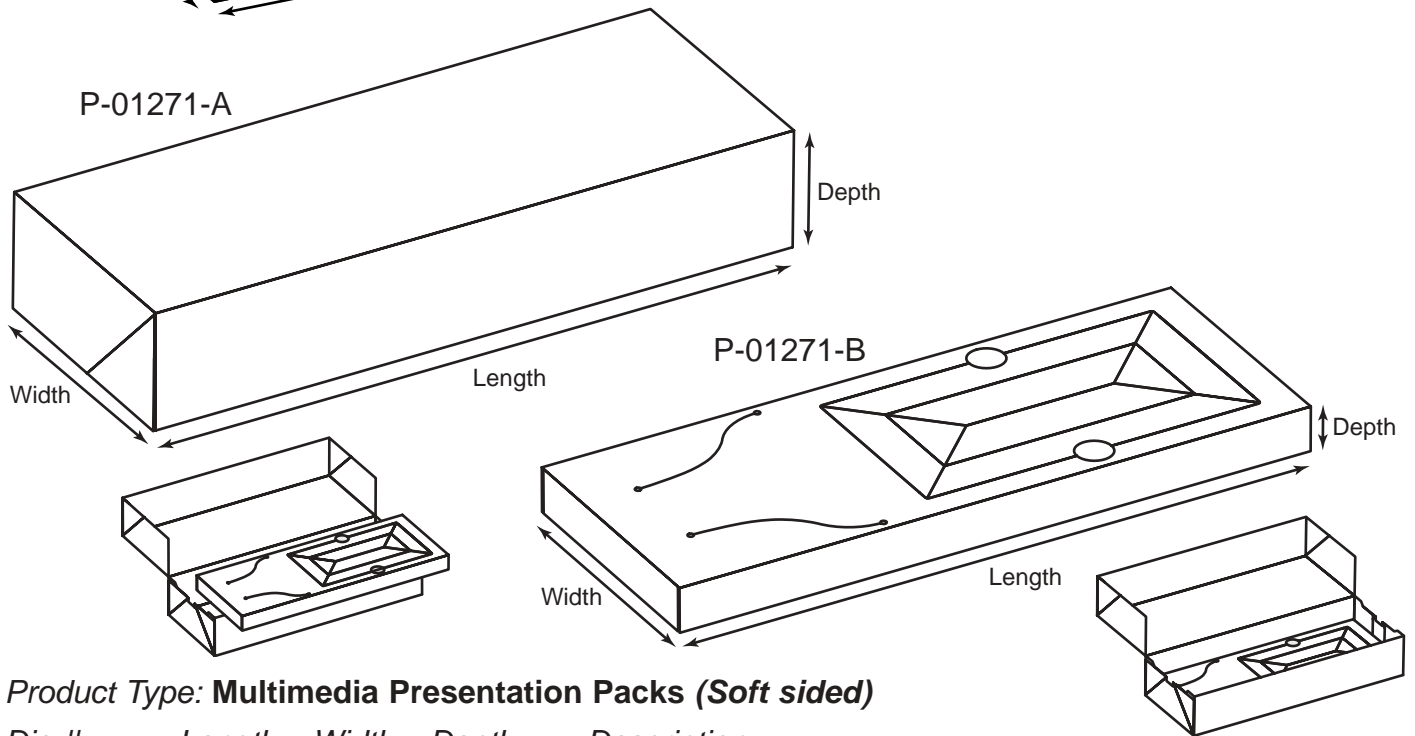
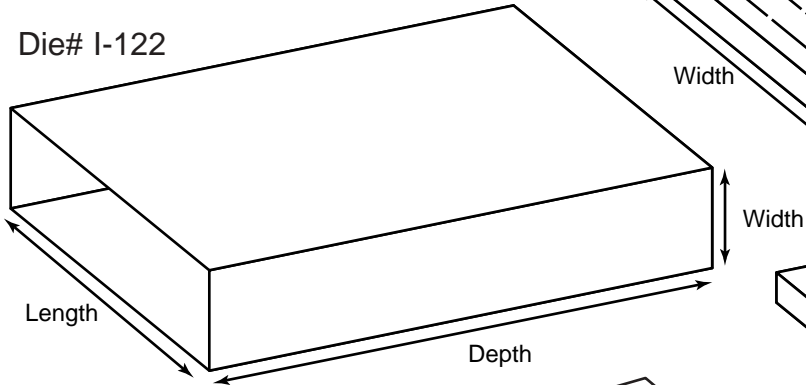
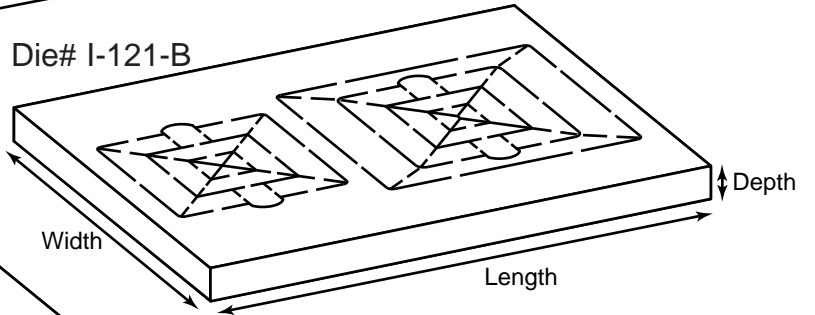
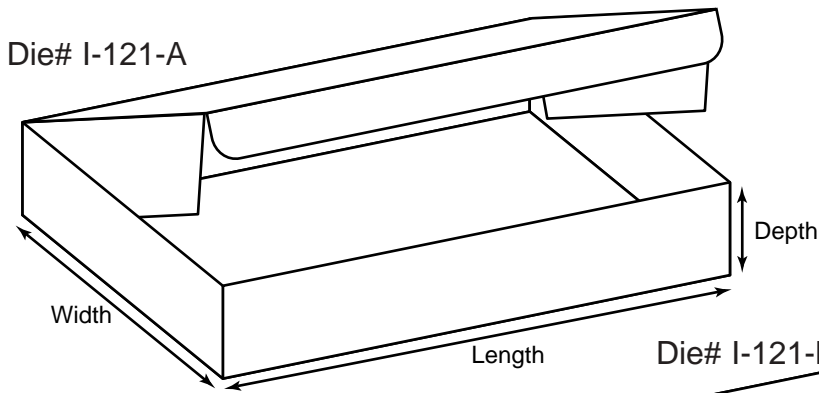
MULTIMEDIA

P-01393



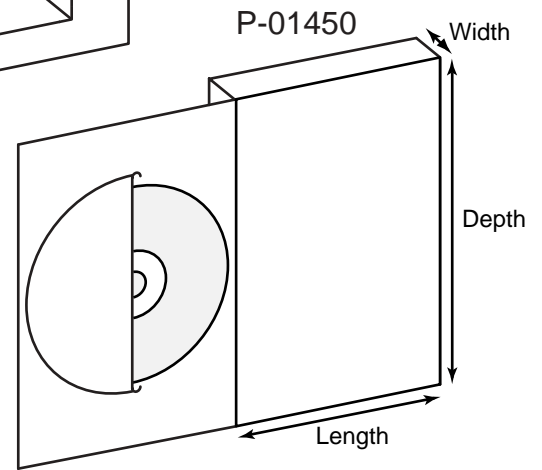
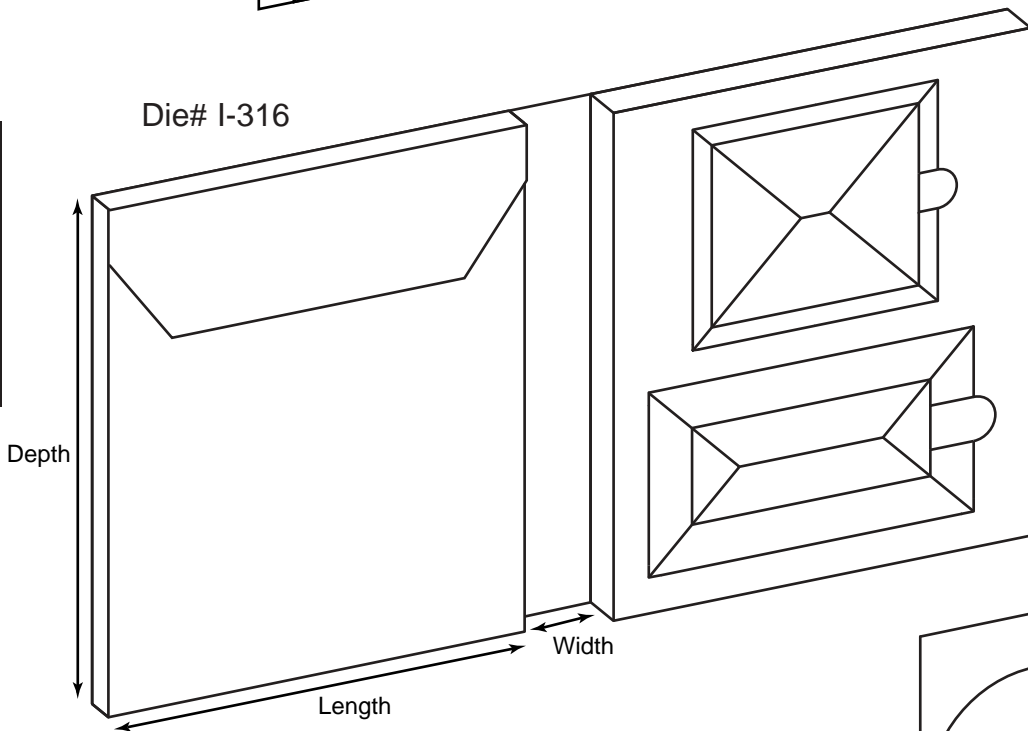
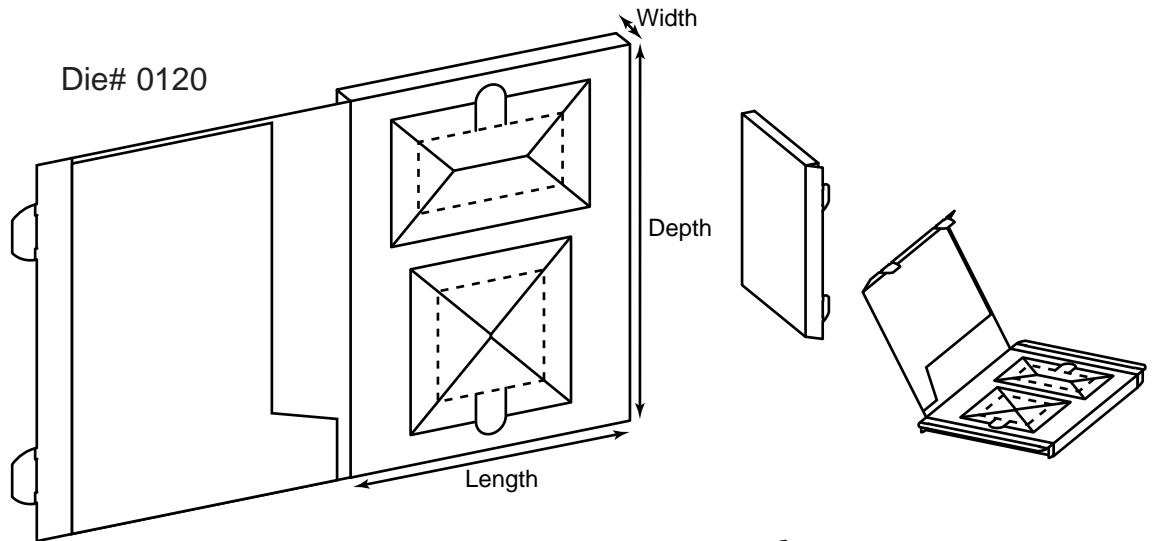
Product Type: Multimedia Presentation Packs

Die #	Length x Width x Depth	Description
I-049	9 x 1-7/16 x 12	Single VHS and CD jewel case presentation pack; 3/8" capacity pocket; inset wells for VHS and CD
P-01393	7-5/8 x 11/16 x 11-1/2	One 4" pocket; two inset wells for audio and CD jewel case; B-429



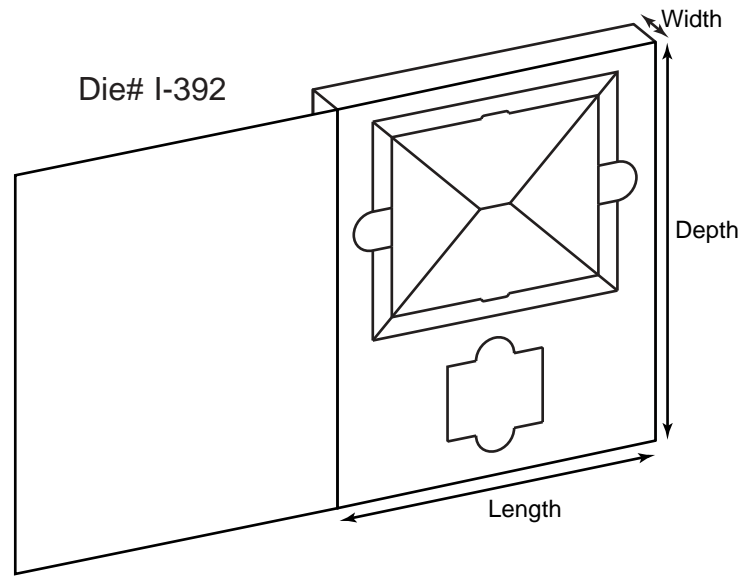
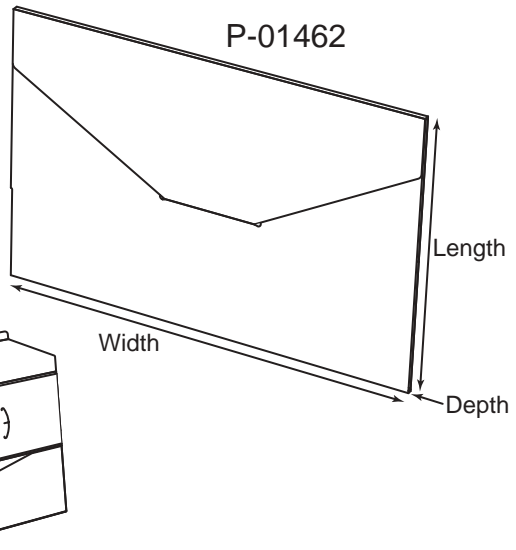
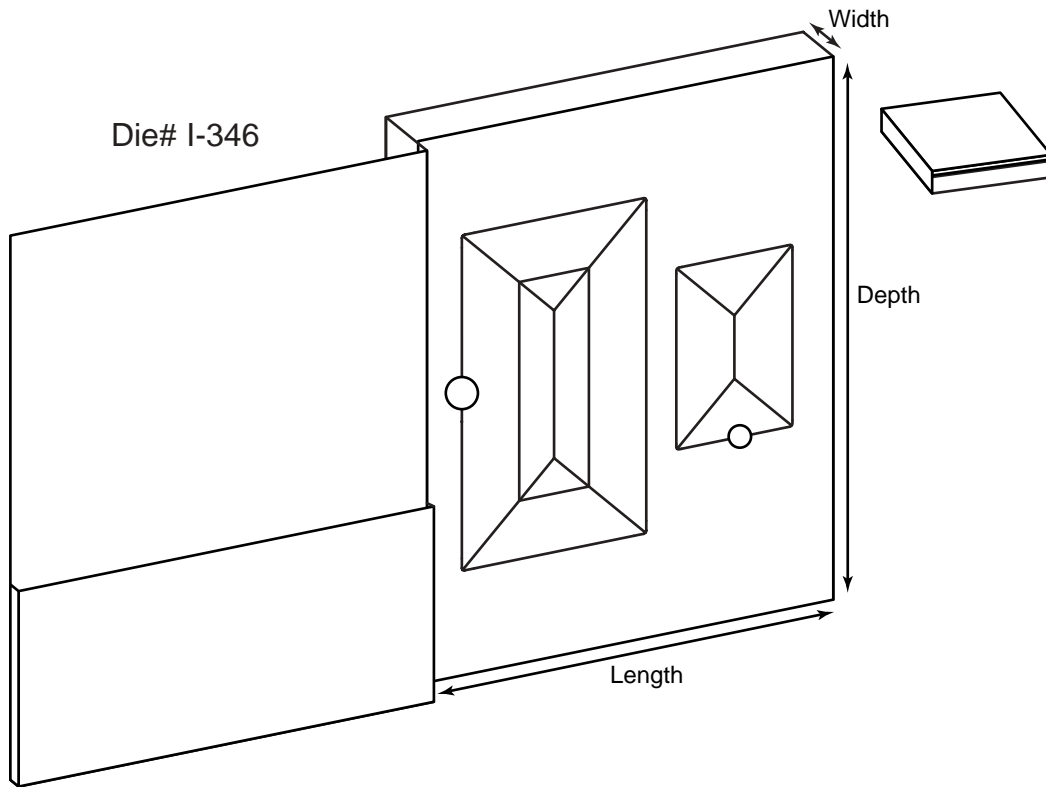
Product Type: Multimedia Presentation Packs (Soft sided)

Die #	Length x Width x Depth	Description
I-121A	11-3/16 x 8-13/16 x 2-1/16	One piece self making product box with hinged lid
I-121B	11-1/16 x 8-11/16 x 3/4	CD jewel case and diskette paperboard insert for I-121-A
I-122	9 x 2-1/4 x 11-7/16	Slip case --use with I-121-A
P-01271-A	14-1/4 x 5-1/2 x 2-5/8	Six Corner box with Insert holds one raw VHS and one raw CD; B-112
P-01271-B	14-1/8 x 5-15/16 x 1	Insert holds one raw VHS and one raw CD; fits inside Six corner box; B-112



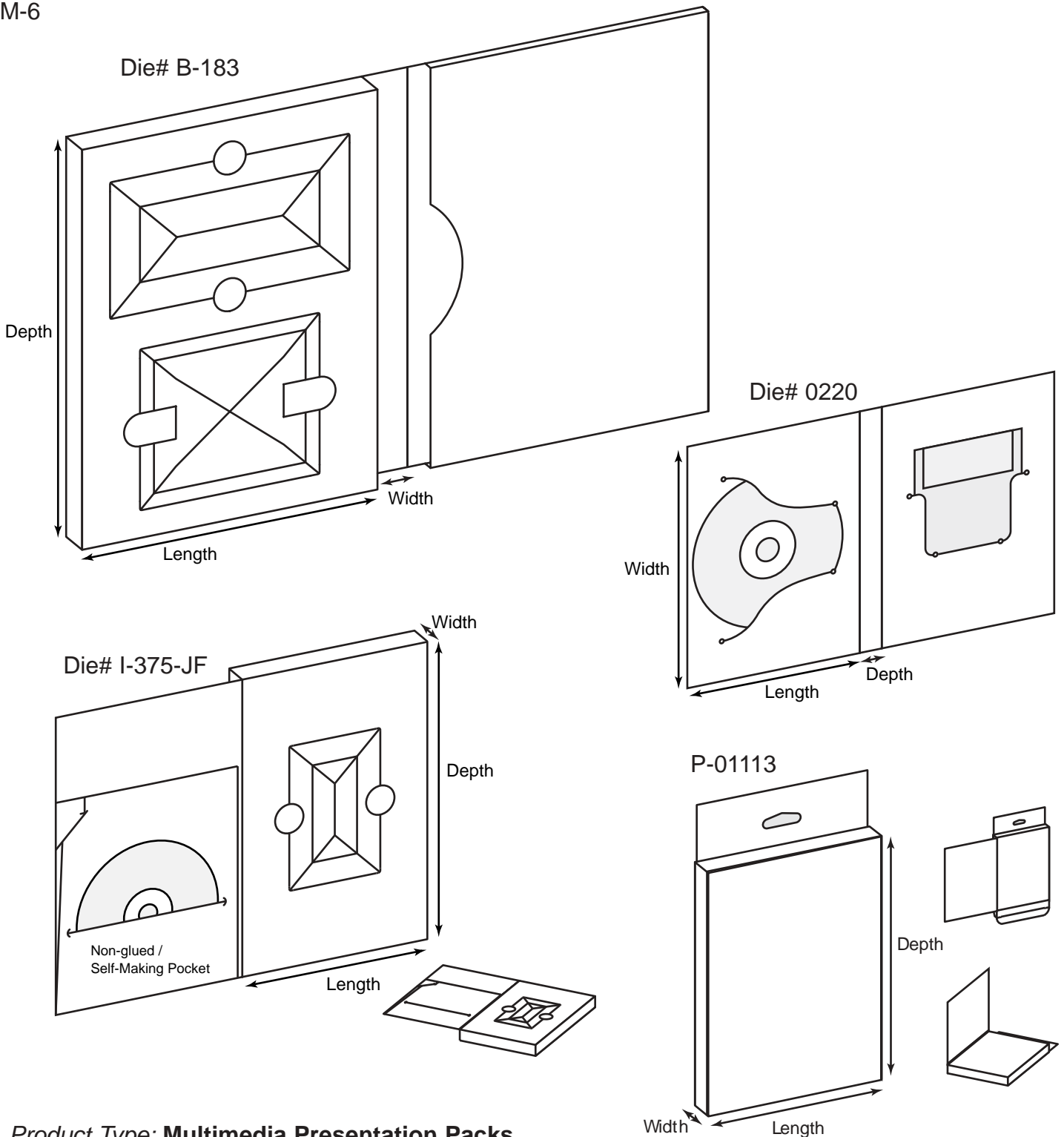
Product Type: Multimedia Presentation Packs

Die #	Length x Width x Depth	Description
0120	6-7/16 x 5/8 x 8-1/2	Double tuck presentation pack holds four diskettes and one Norelco case; wrap around literature pocket
I-316	9-5/8 x 1-7/8 x 11-1/2	Double tuck presentation pack holds one raw VHS and one CD jewel case; 3/4" capacity pocket with top flap closure
P-01450	4-7/8 x 1-1/16 x 7-3/8	Presentation pack holds one VHS and one CD; open bottom; internal divider braces VHS tape, plus space for booklet; B-276



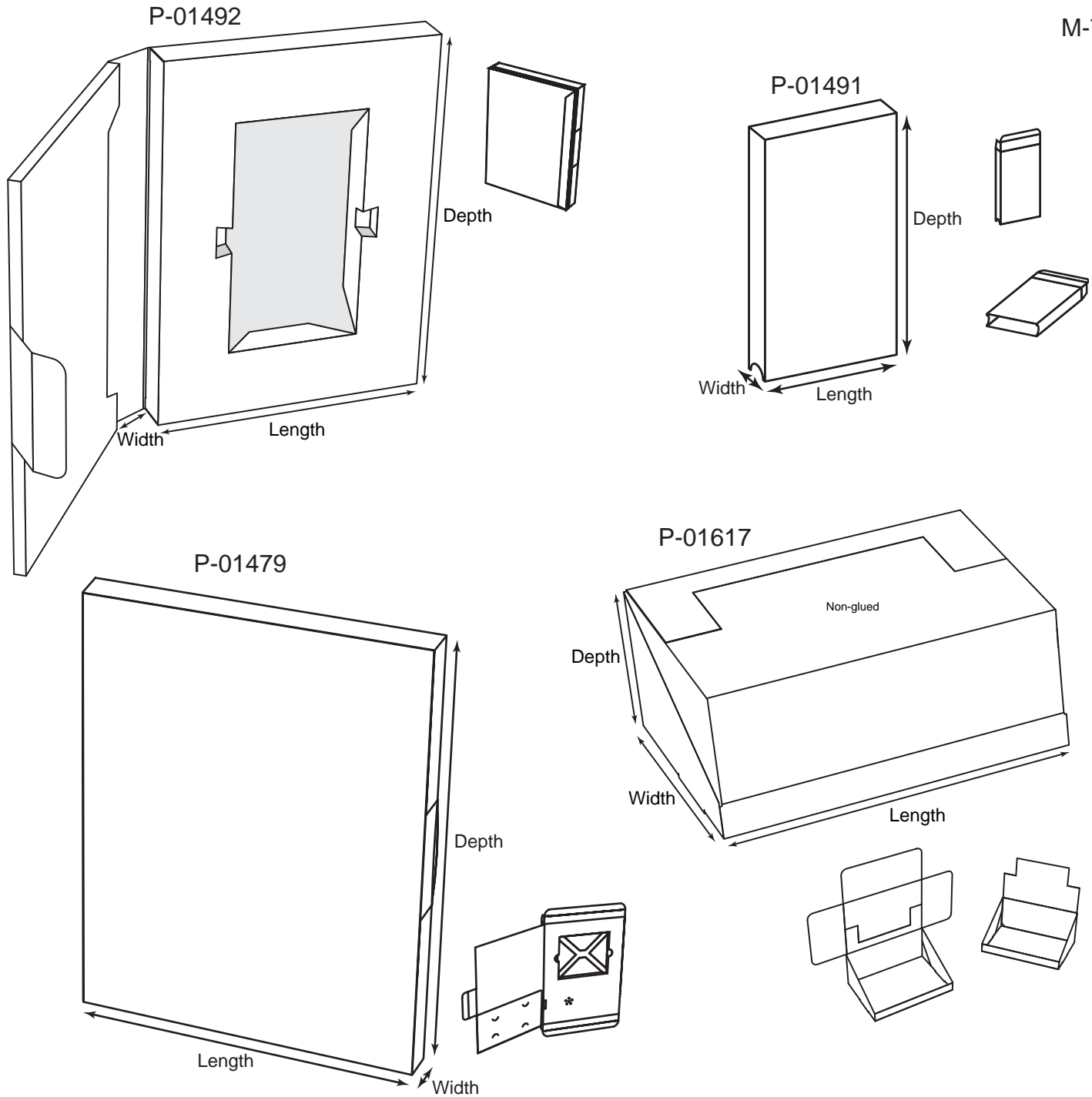
Product Type: Multimedia Presentation Packs

Die #	Length x Width x Depth	Description
I-346	9-1/2 x 1-7/8 x 12-3/6	Double tuck holds VHS Die I-087 and 2 audio O-cards with riser in the audio cassette well; 3/8" capacity pocket
P-01462	6 x 9 x 1/8	Mini CD and 2 full panel size pockets; removable block option; B-455-JF
I-392	7-3/8 x 1-1/8 x 9	Double tuck with reinforced front panel; inset well for CD jewel case and cut out for small product display; floors available for CD inset and product insert



Product Type: Multimedia Presentation Packs

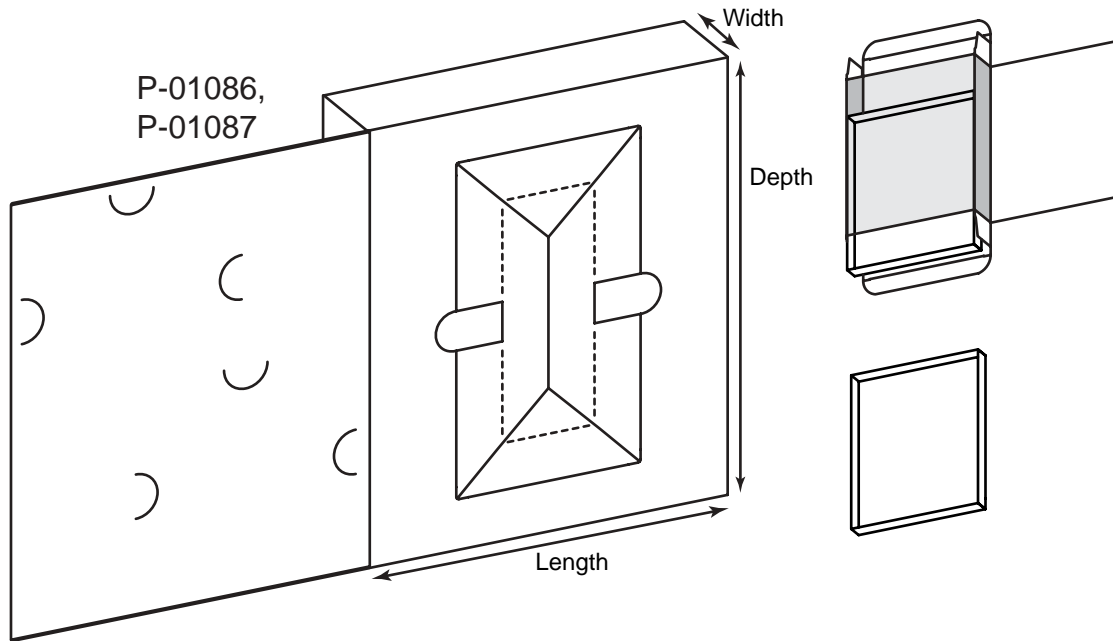
Die #	Length x Width x Depth	Description
B-183	9-1/4 x 1-7/16 x 12-1/4	3/8" capacity pocket; inset wells for VHS and CD jewel case
0220	5-3/8 x 7-3/8 x 11/16	Insert holds one CD and one diskette --use with B-011
I-375-JF	5-3/4 x 13/16 x 9	Double tuck audio and CD pack; inset well for 1 Norelco case; self-locking pocket with slot for one raw CD
P-01113	5-1/2 x 7/8 x 7-1/2	6 panel double tuck box with hanger; B-011 --use with insert 0220



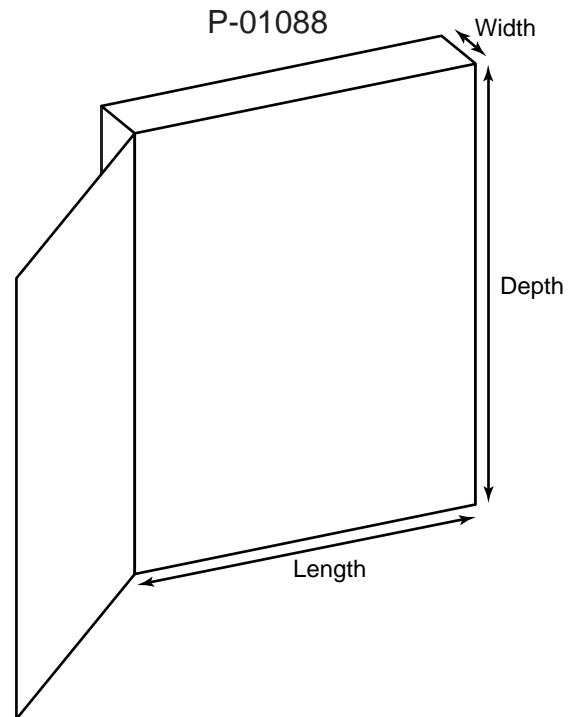
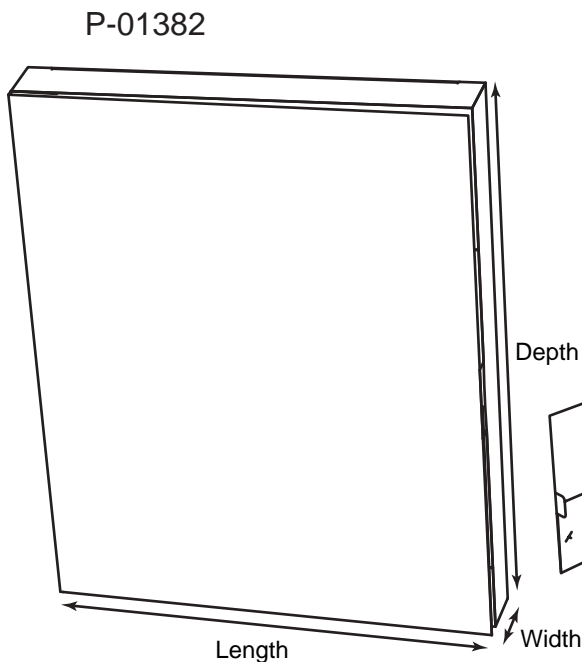
MULTIMEDIA

Product Type: Multimedia Presentation Packs and POP Display

Die #	Length x Width x Depth	Description
P-01492	8-13/16 x 1-5/8 x 11-3/4	Three piece pack is hand assembly only; holds a sleeved VHS tape, a set of # B-476; B-476
P-01491	4-1/8 x 1-1/16 x 7-1/16	Bottom Load VHS sleeve. Die cuts as a set of Die B-476, it sets in the well of P-01492; B-476
P-01617	9-1/4 x 6-1/2 x 4	Point of purchase display, hand set-up, non-glued; B-561
P-01479	9 x 7/8 x 12	CD jewel case well on right, and sound card inside, 4-1/2" pocket on left with two removable blocks, and EPS foam insert for structural stability. BC-11 slits and BC-Rolodex. B-467

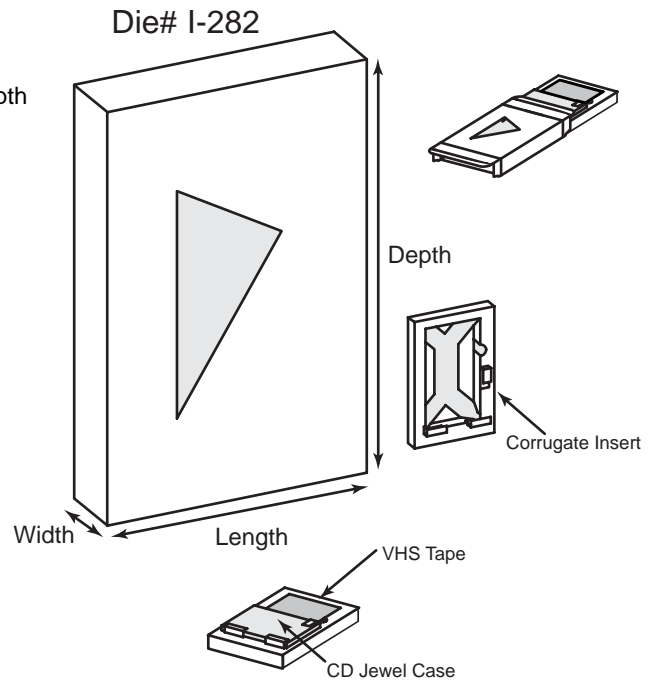
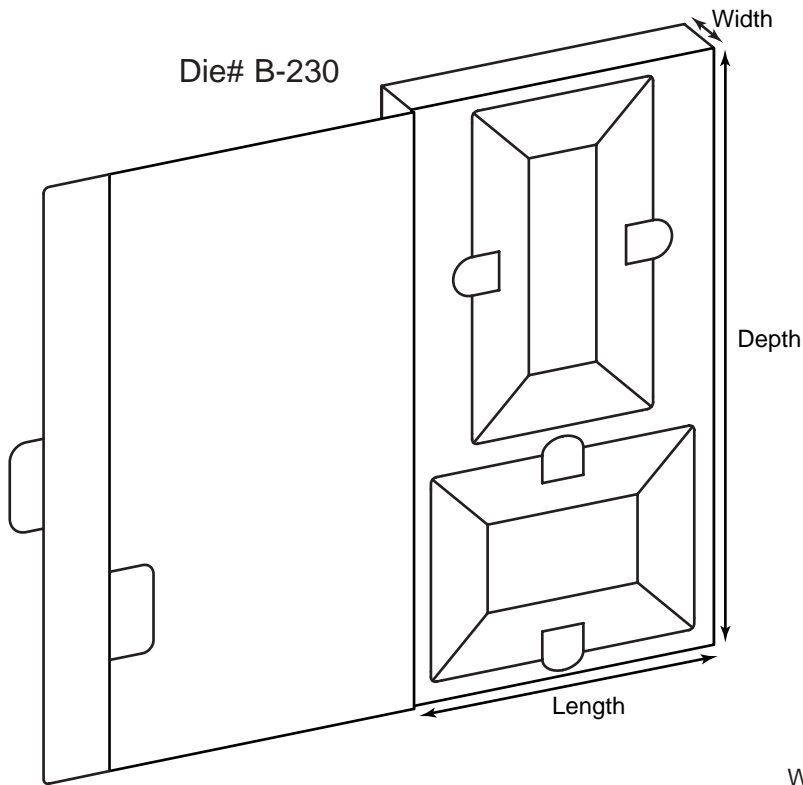
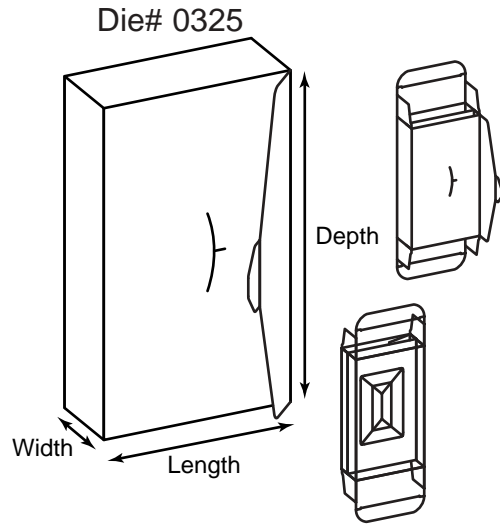
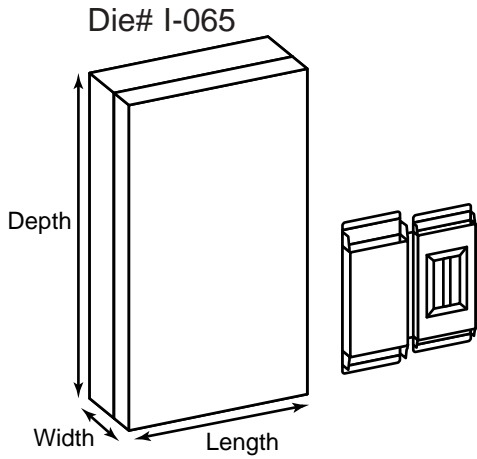


MULTIMEDIA



Product Type: Multimedia Presentation Packs

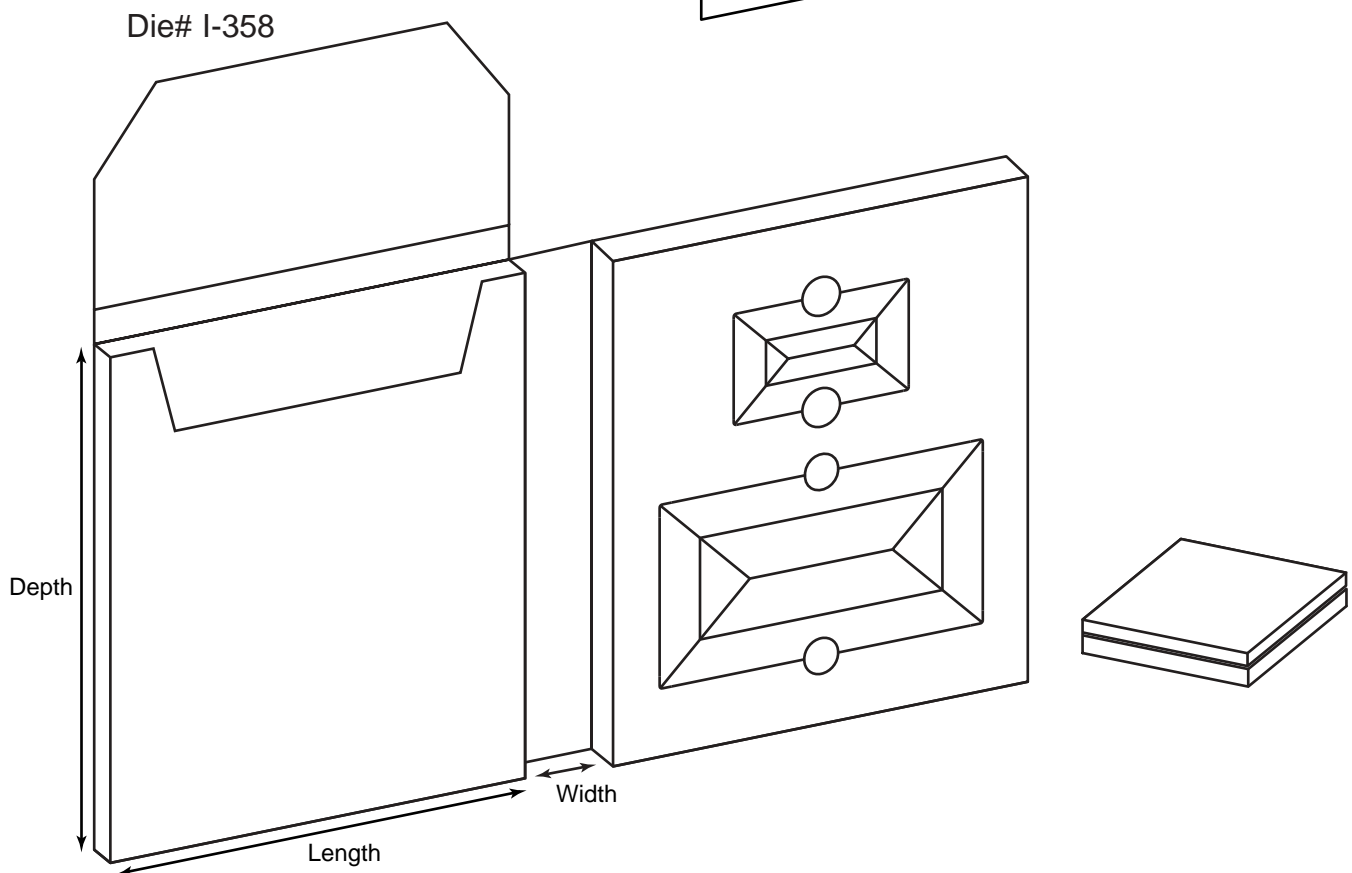
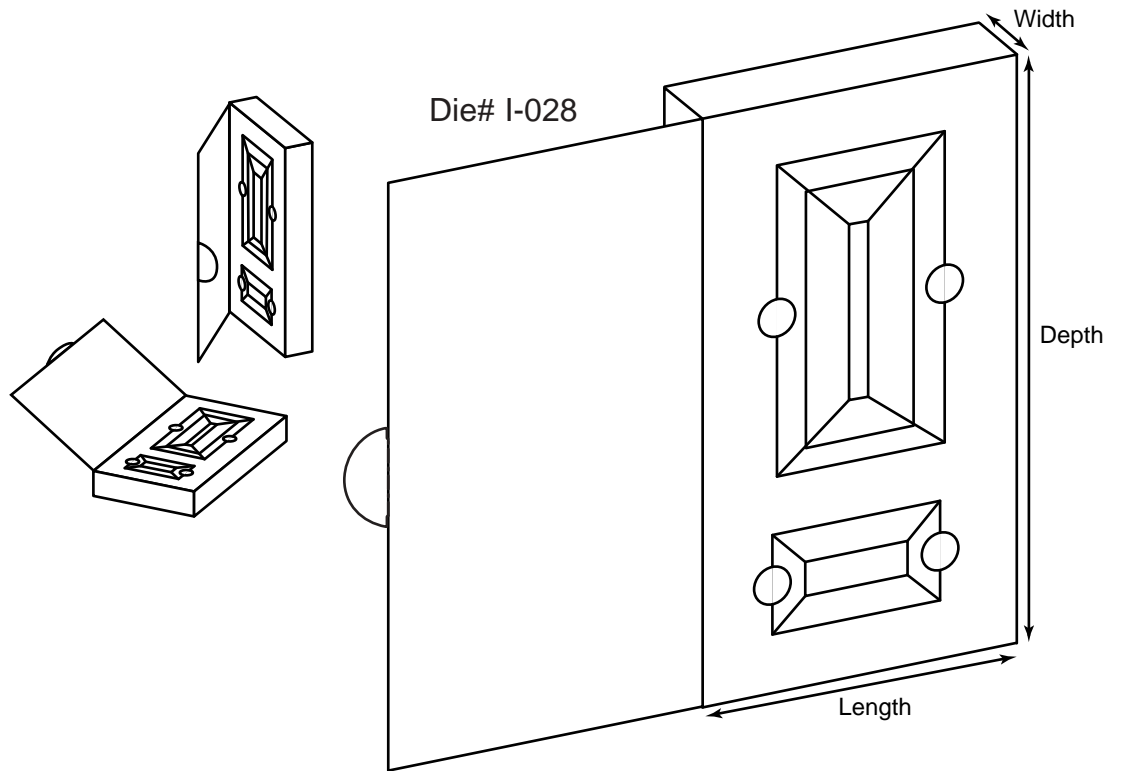
Die #	Length x Width x Depth	Description
P-01086-7	8-1/4 x 2-1/16 x 9-7/8	6 panel inset fits inside B-341; holds one raw VHS tape, has tab-slits for two raw CD's and has tray to support tape; B-340
P-01088	8-3/8 x 2-3/8 x 10	See additional Insert B-340; it holds one raw VHS tape and has tab-slits for two raw CD's; B-341
P-01382	8-13/16 x 1-1/16 x 11-1/4	Holds one VHS tape, one audio cassette and one B-148 double tuck box; it has one 5-3/32" pocket with business card slits and CD slits; B-425



MULTIMEDIA

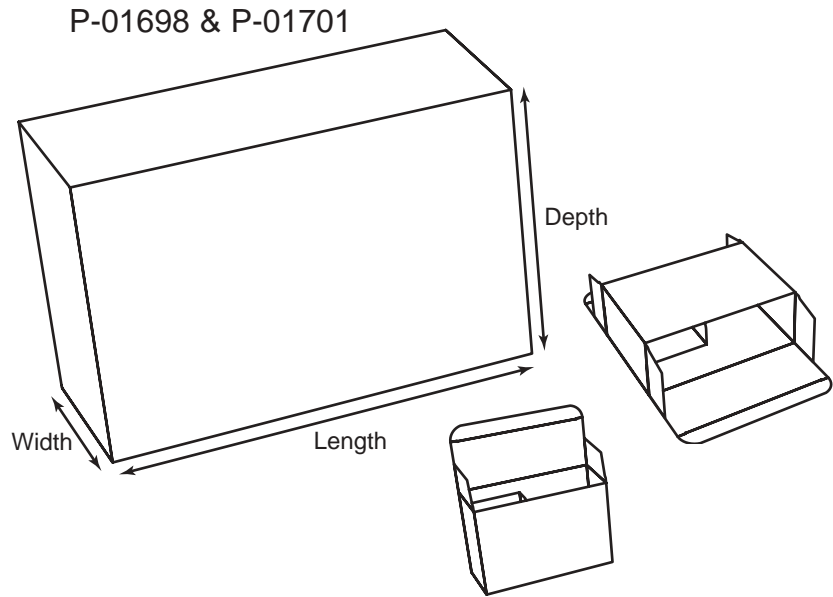
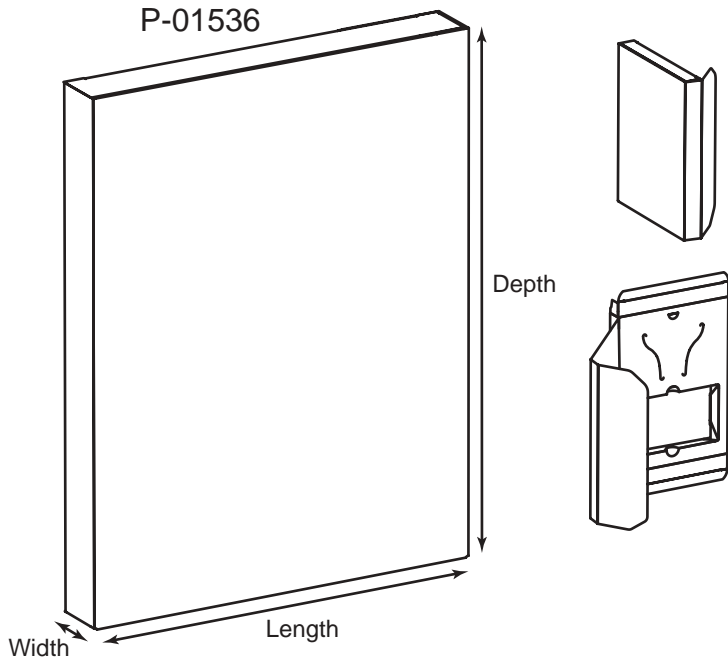
Product Type: VHS and Audio Presentation Packs

Die #	Length x Width x Depth	Description
I-065	4-1/8 x 1-7/8 x 7-3/8	Double tuck holds a raw VHS and Norelco case
0325	4-5/16 x 1-13/16 x 7-1/2	Double tuck mailer with tuck tab; inset well for audio cassette and capacity for VHS
B-230	7 x 1-17/32 x 13-1/2	Two wells; one for a 0038 and one for a double tuck Die B-228-JF
I-282	6-1/16 x 1-9/16 x 9-7/16	Double tuck with triangular die cut window; corrugated insert holds one VHS and one CD jewel case



Product Type: VHS and Audio Presentation Packs

Die #	Length x Width x Depth	Description
I-028	6-1/4 x 1-1/8 x 13-3/8	Single VHS and audio presentation pack with locking tab
I-358	6-5/8 x 1-15/16 x 11-1/12	Double tuck holds one row VHS and one row audio cassette; 3/4" capacity pocket with top flap closure



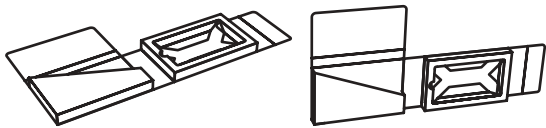
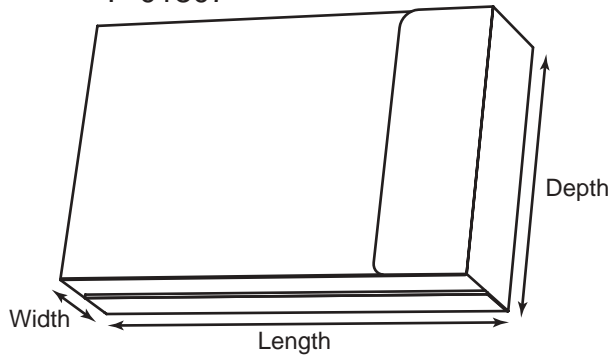
MULTIMEDIA

Product Type: Multimedia Presentation Packs

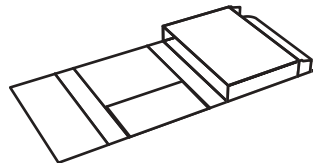
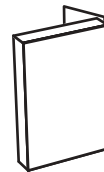
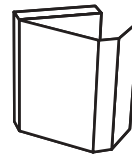
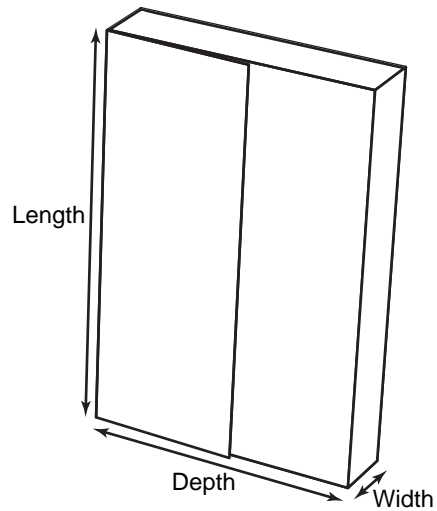
Die # Length x Width x Depth Description

<i>Die #</i>	<i>Length x Width x Depth</i>	<i>Description</i>
P-01536	9 x 1-1/8 x 11-13/16	Presentation package has a well designed for a sleeved VHS, champagne slits for raw CD and removable business card slits; B-512
P-01698	9 x 3-1/2 x 6-1/16	Double tuck with a built in divider; B-606
P-01701	9 x 2-3/8 x 6-1/16	Double tuck with a built in divider; B-607

P-01807



P-01356



Product Type: VHS and Audio Presentation Mailer

Die # Length x Width x Depth Description

<i>Die #</i>	<i>Length x Width x Depth</i>	<i>Description</i>
P-01807	9-1/16 x 2-1/8 x 5-5/8	VHS pocket presentation folder / literature mailer; B-675
P-01356	8-3/4 x 1-3/8 x 5-7/8	Five Panel side load with 3-7/16" tall pocket; B-414