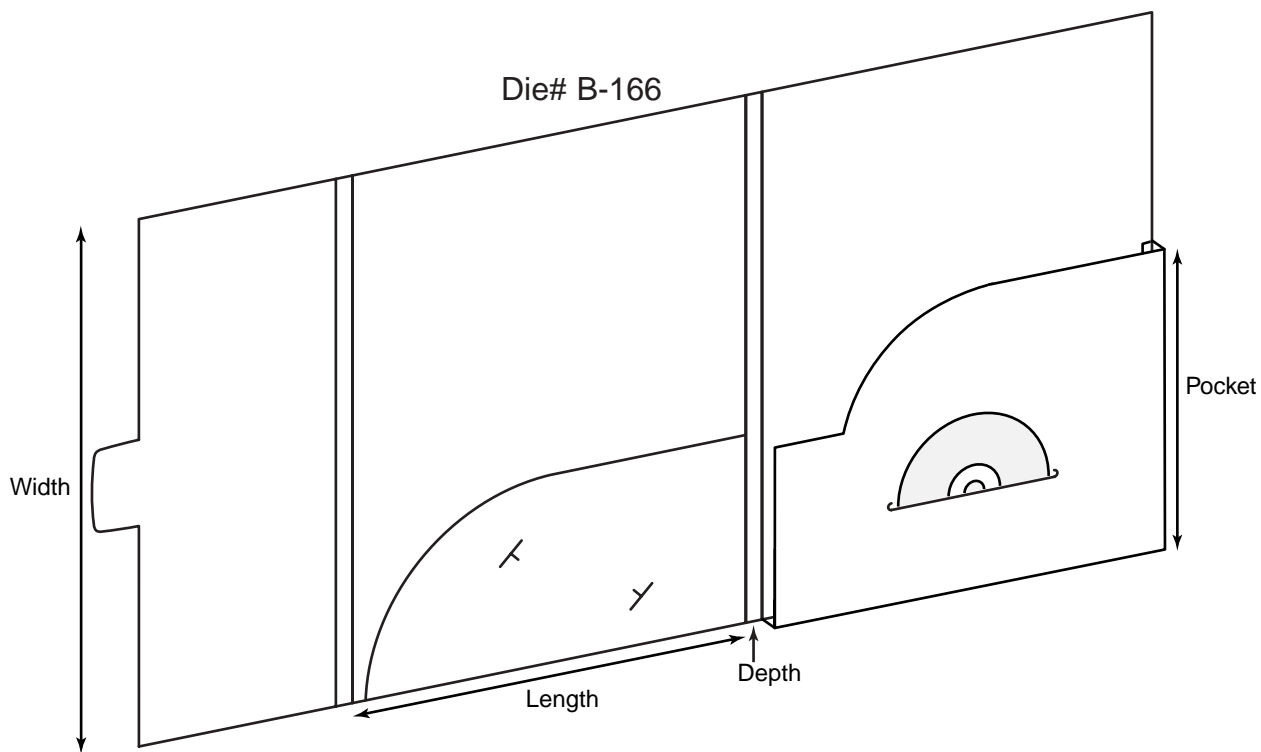
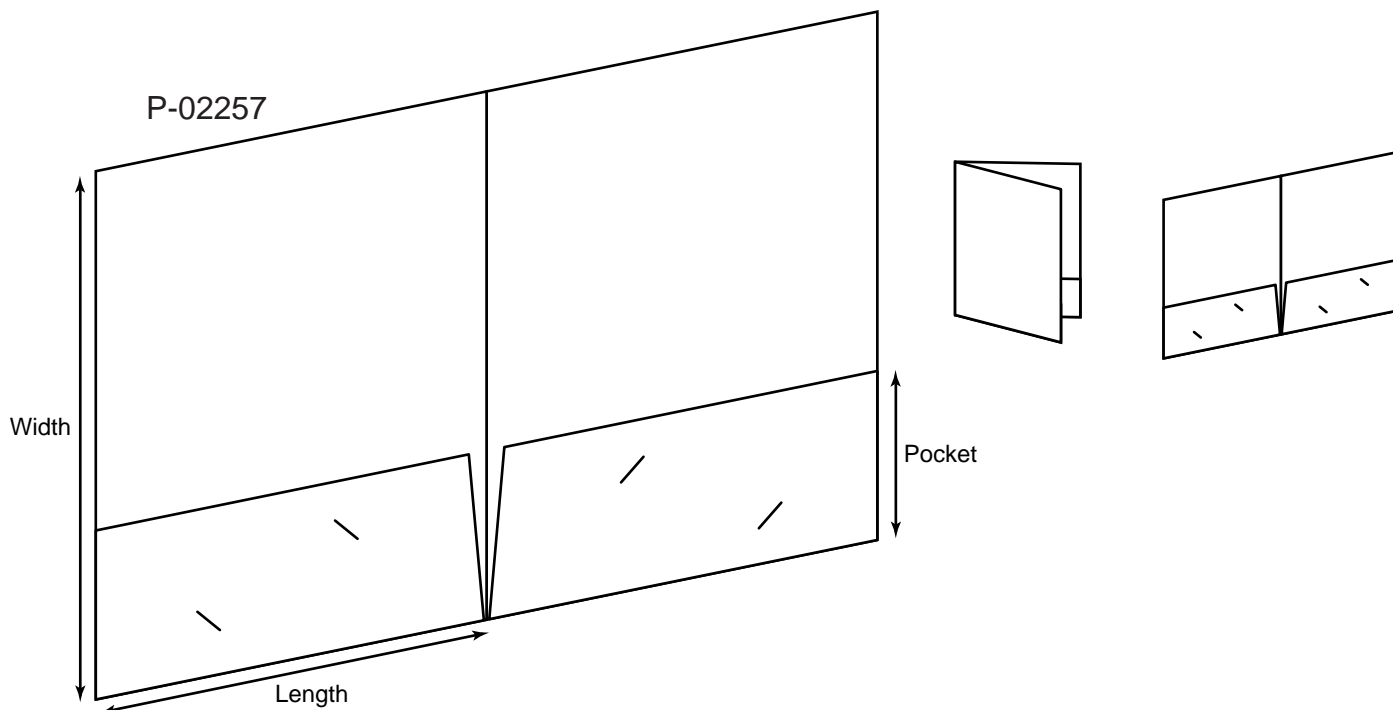


POCKET FOLDERS  
PORTFOLIOS

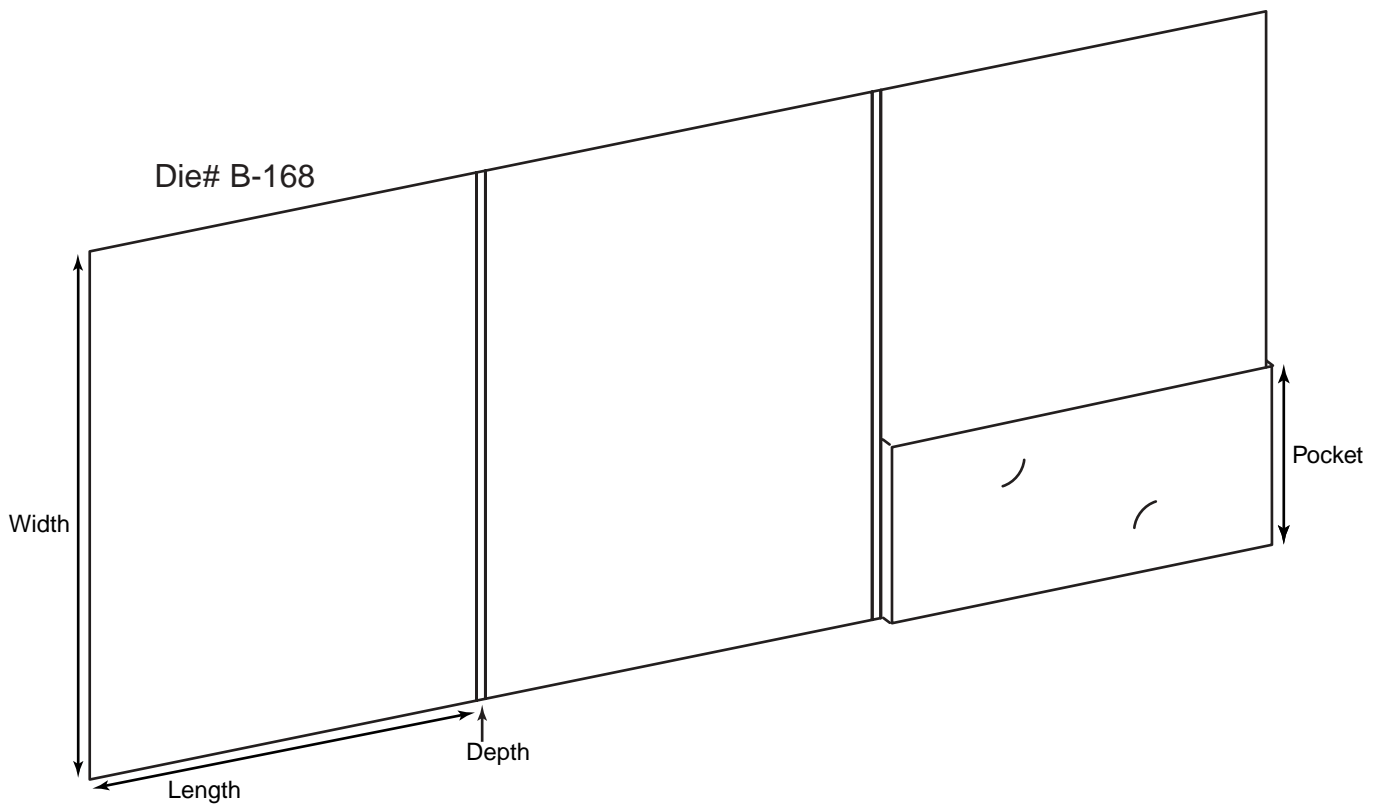
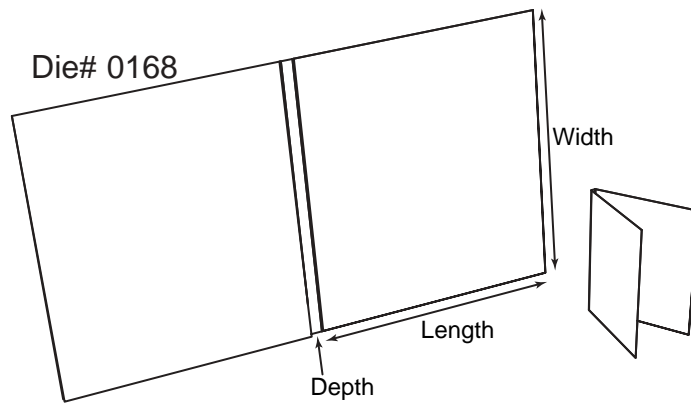
**Product Type: Pocket Folders**

Die #	Length x Width x Depth	Description
<b>I-285</b>	9 x 12	Two 5-1/4" pockets with business card slit on left pocket
<b>I-154</b>	4-7/8 x 6-3/4 x 5/8	Two 2-1/2" pockets
<b>0184</b>	9 x 12	4" pocket with business card slit and literature slot on left pocket



**Product Type: Pocket Folders**

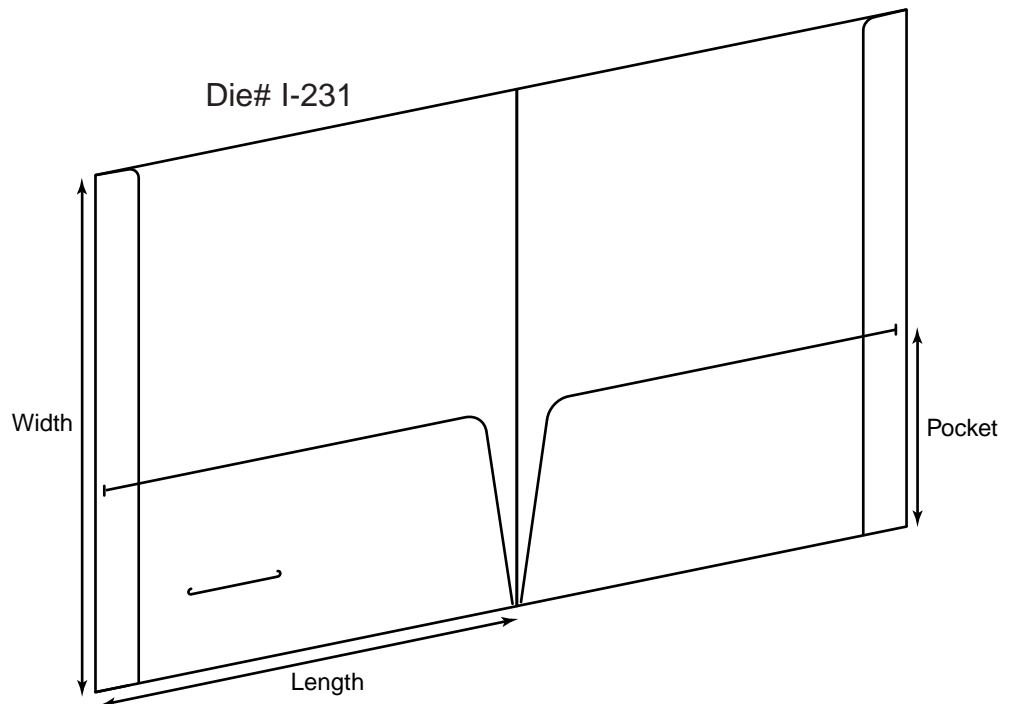
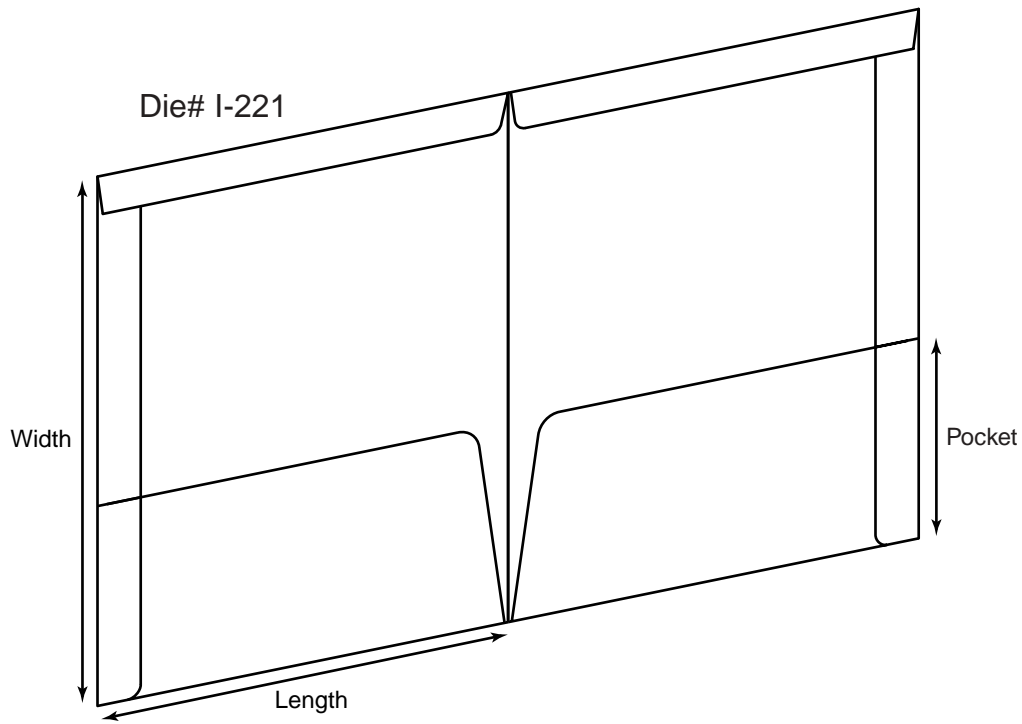
Die #	Length x Width x Depth	Description
<b>P-02257</b>	9 x 12 0178, I-264-JF	Two 4" pockets with removable business card slits;
<b>B-166</b>	9-1/8 x 12 x 3/8	4" and 7" pockets with removable CD and business card slit; right pocket has 1/4" capacity



POCKET FOLDERS  
PORTFOLIOS

*Product Type:* **Pocket Folders**

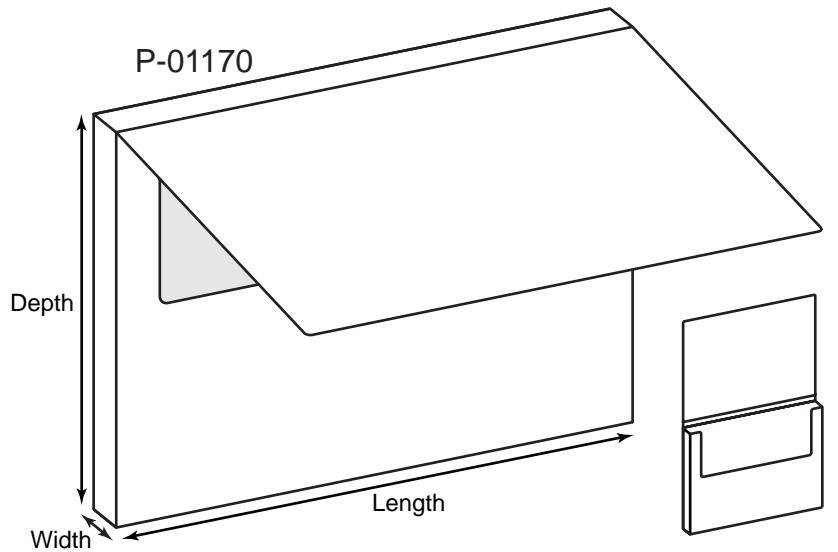
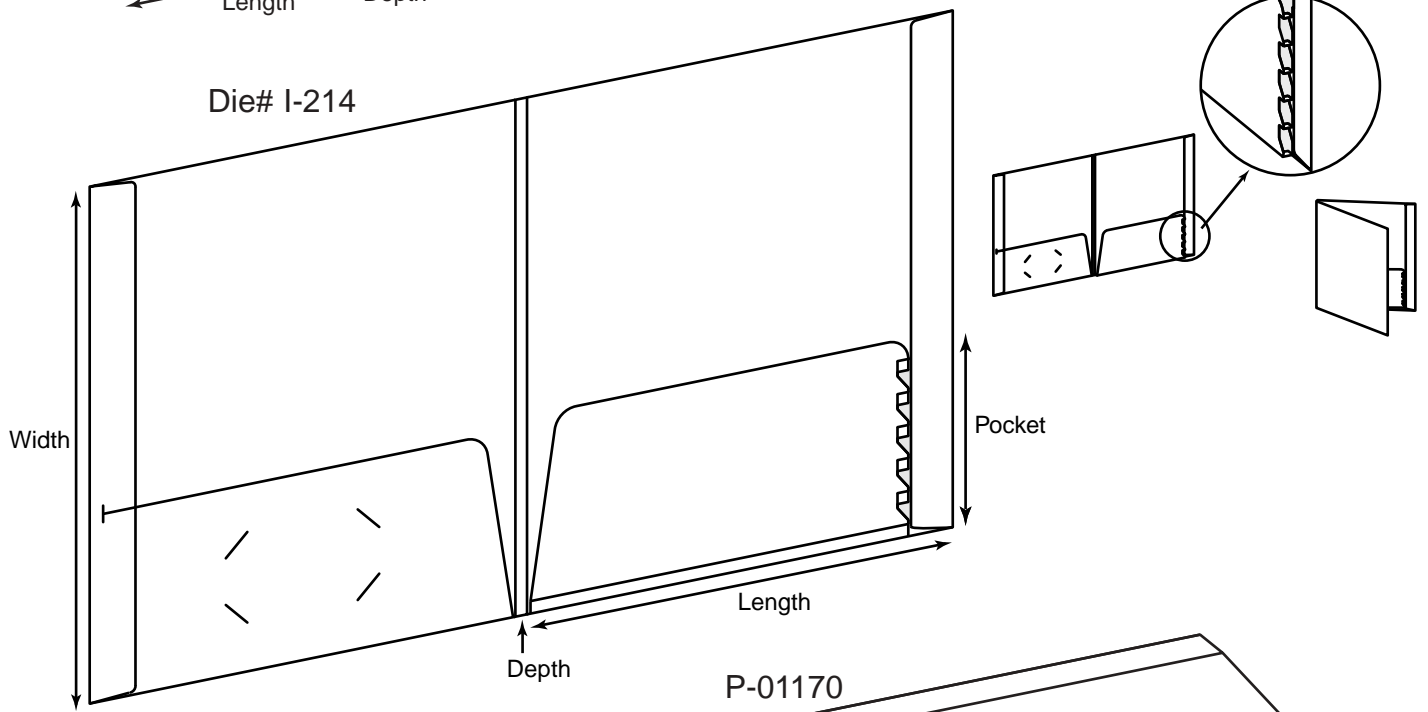
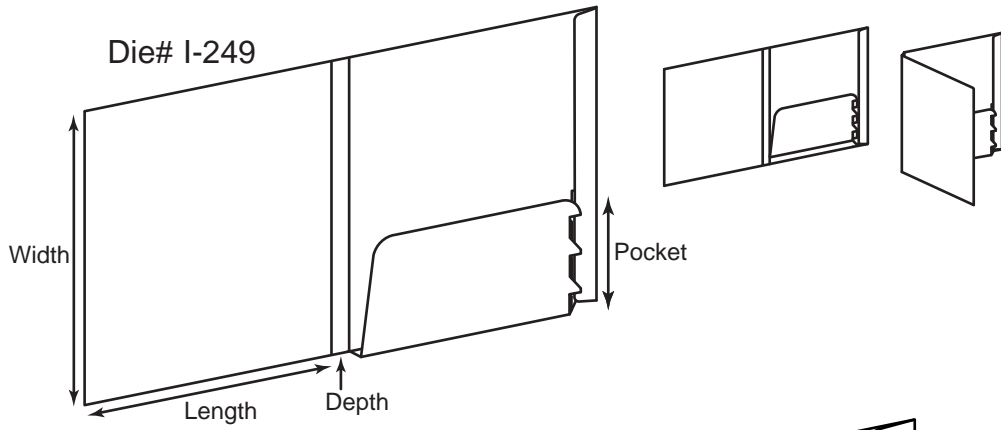
<i>Die #</i>	<i>Length x Width x Depth</i>	<i>Description</i>
<b>0168</b>	5-1/2 x 6-1/2 x 1/4	Two panel folder reinforced without pockets
<b>B-168</b>	9 x 12 x 3/16	4" pocket has 3/16" capacity



POCKET FOLDERS  
PORTFOLIOS

*Product Type:* **Pocket Folders**

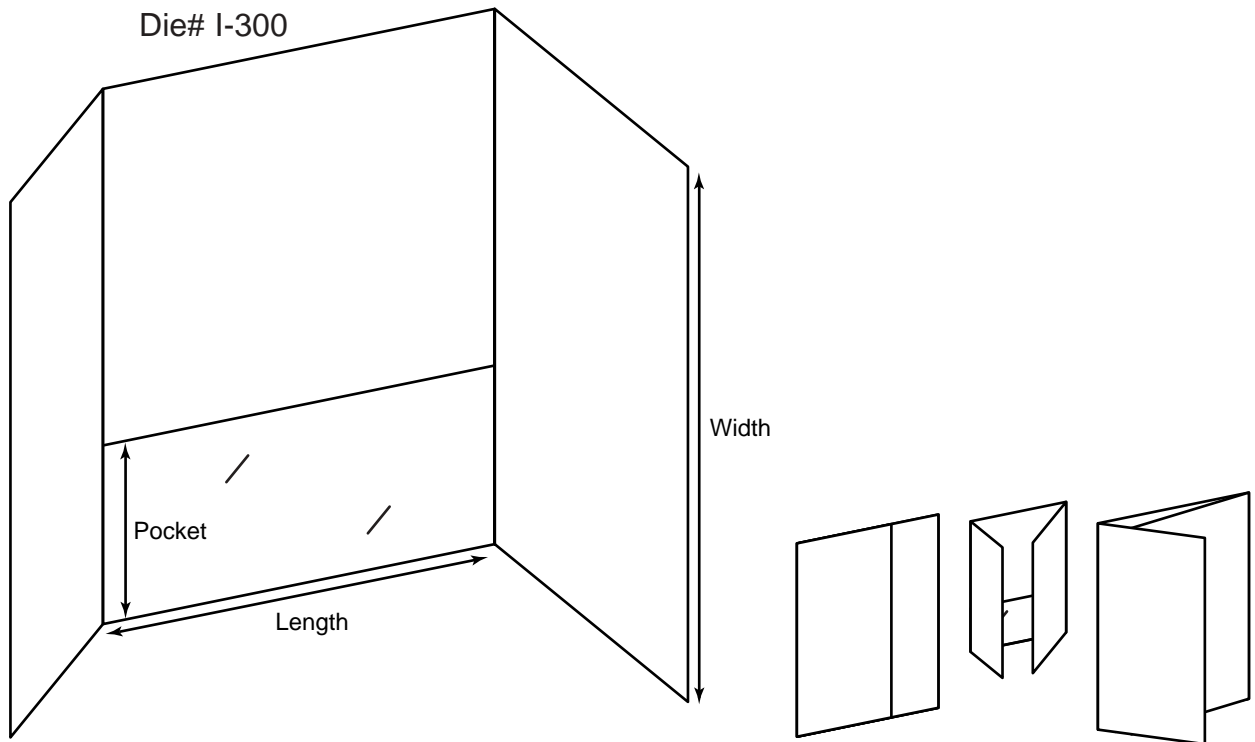
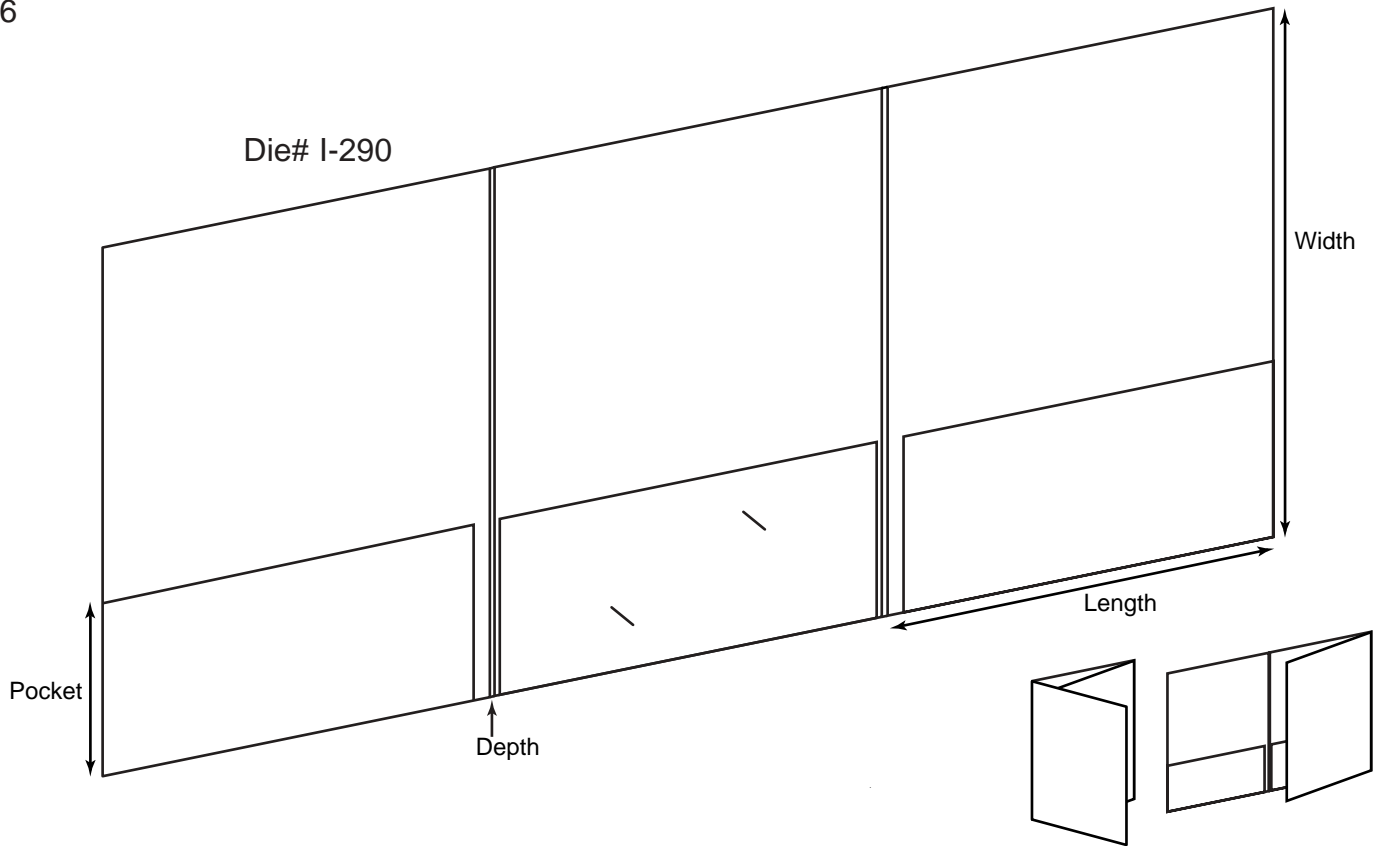
Die #	Length x Width x Depth	Description
<b>I-221</b>	9-1/2 x 12	Two 4-1/2" pockets, reinforced top and side edges
<b>I-231</b>	9-3/4 x 11-3/4	Two 4-1/2" pockets, reinforced side edges



POCKET FOLDERS  
PORTFOLIOS

**Product Type: Pocket Folders and Portfolio**

Die #	Length x Width x Depth	Description
<b>I-249</b>	5-11/16 x 6-5/8 x 7/16	2-1/2" pocket has 3/8" capacity; reinforced edge on right
<b>I-214</b>	9-7/8 x 11-3/4 x 1/4	Two 4-1/4" pockets, right pocket has 1/4" capacity; reinforced edges; business card slits
<b>P-01170</b>	12 x 1/2 x 9	Pocket folder with 1/2" capacity; B-043



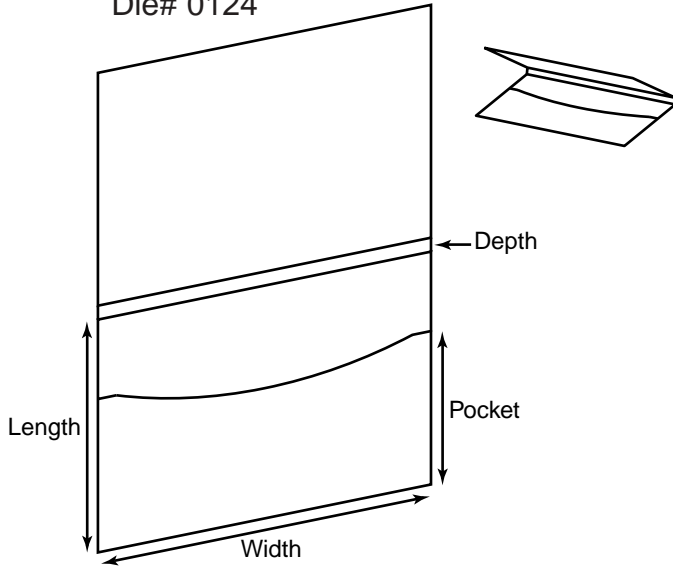
POCKET FOLDERS  
PORTFOLIOS

Product Type: **Pocket Folders and Brochure/Paper**

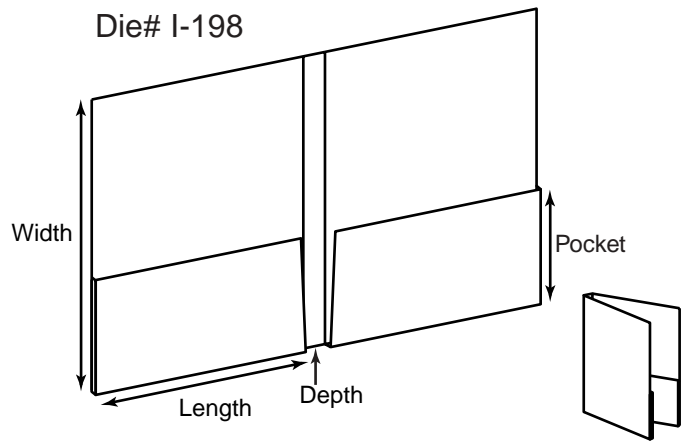
Die #      Length x Width x Depth      Description

<b>I-290</b>	9 x 12 x 1/8	Three 4" pockets; business card slit on center pocket
<b>I-300</b>	9 x 12-1/16	4" pocket with business card slit

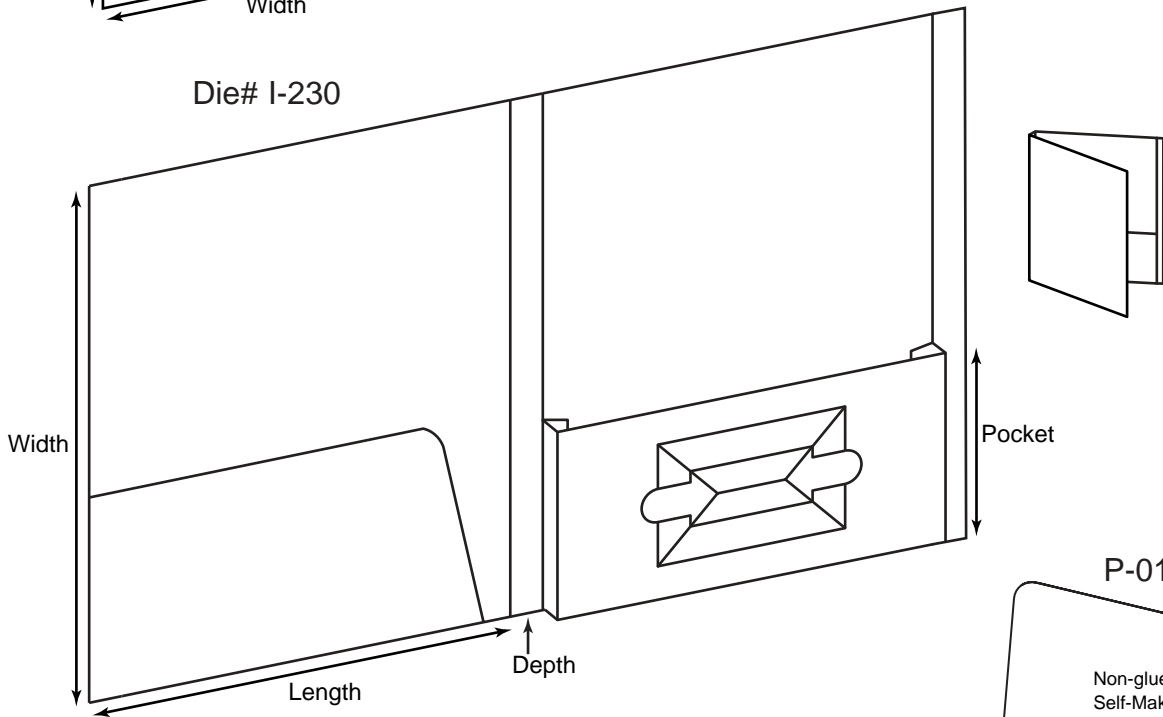
Die# 0124



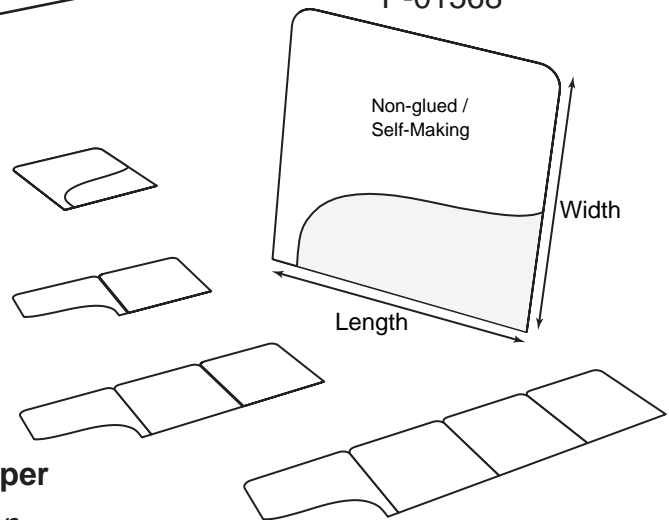
Die# I-198



Die# I-230



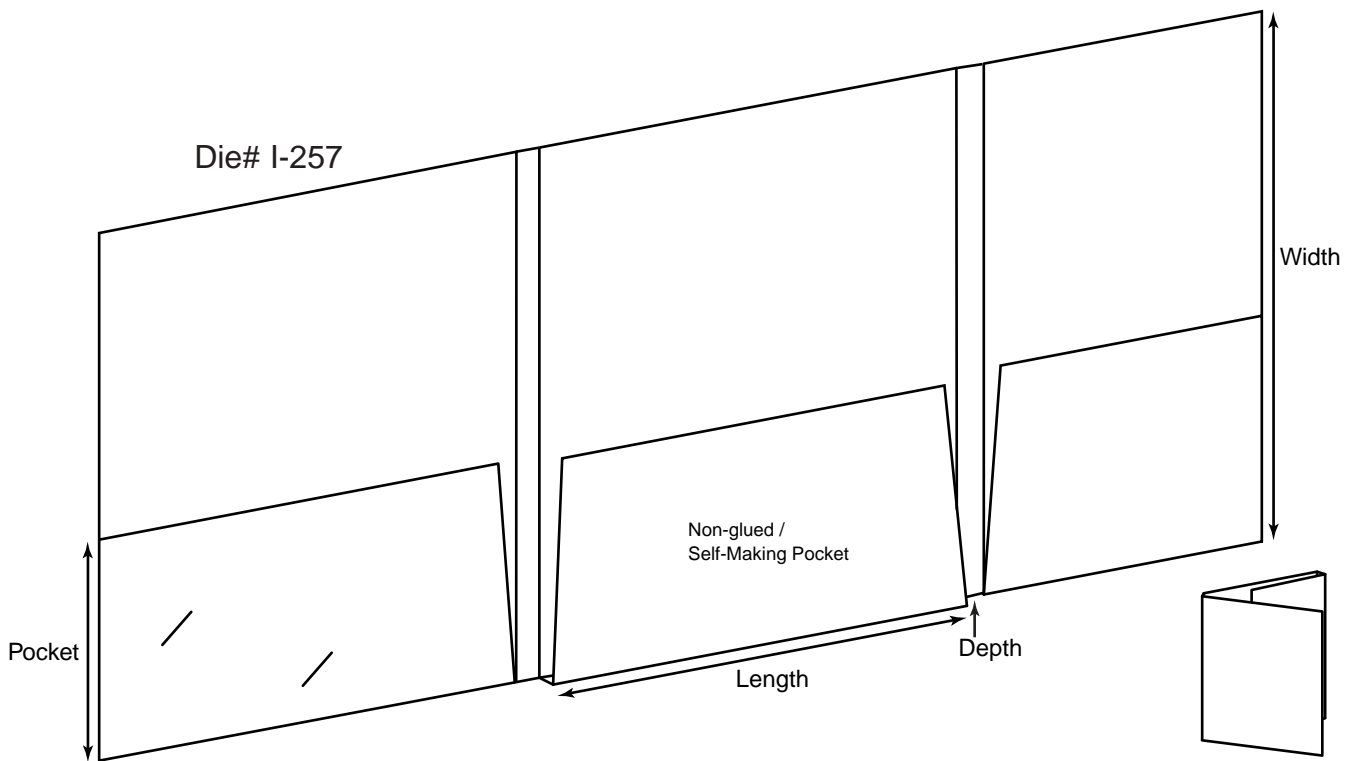
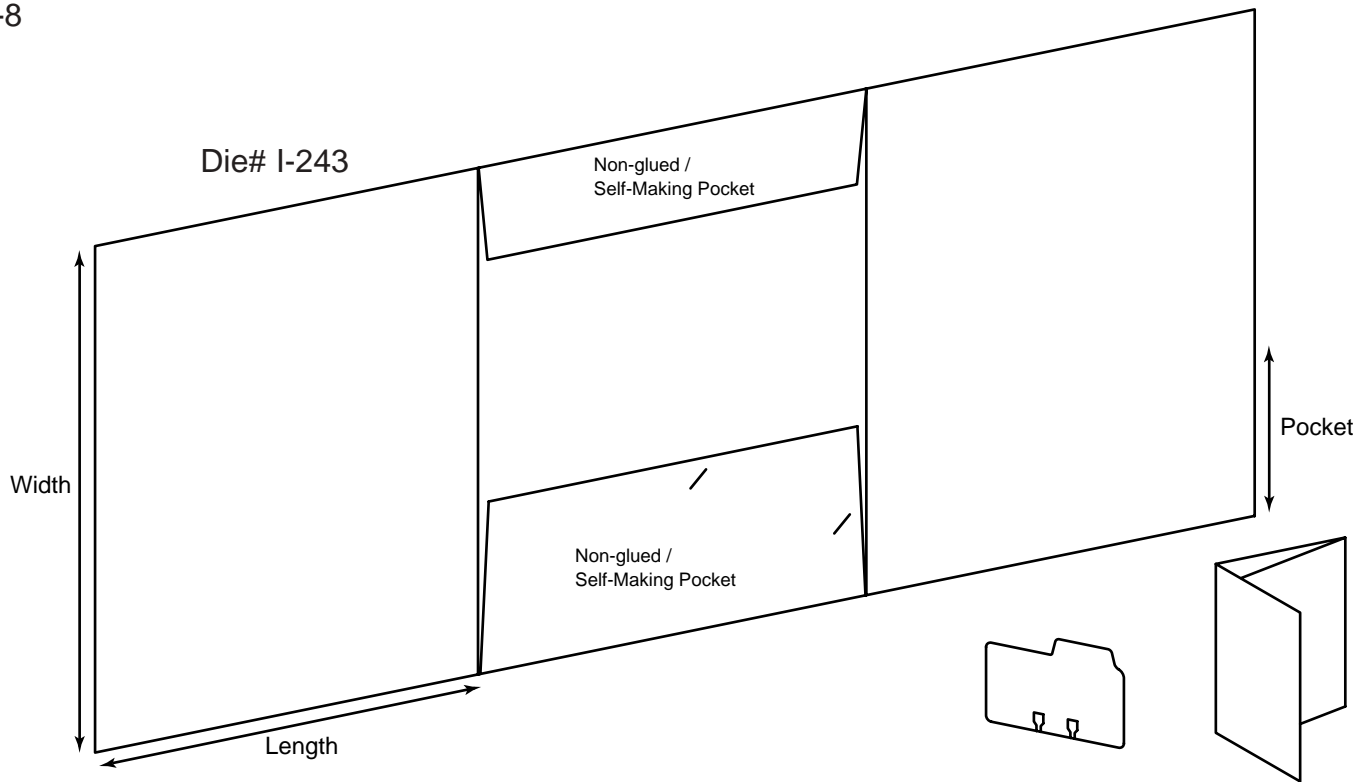
P-01568



POCKET FOLDERS  
PORTFOLIOS

**Product Type: Pocket Folders and Brochure/Paper**

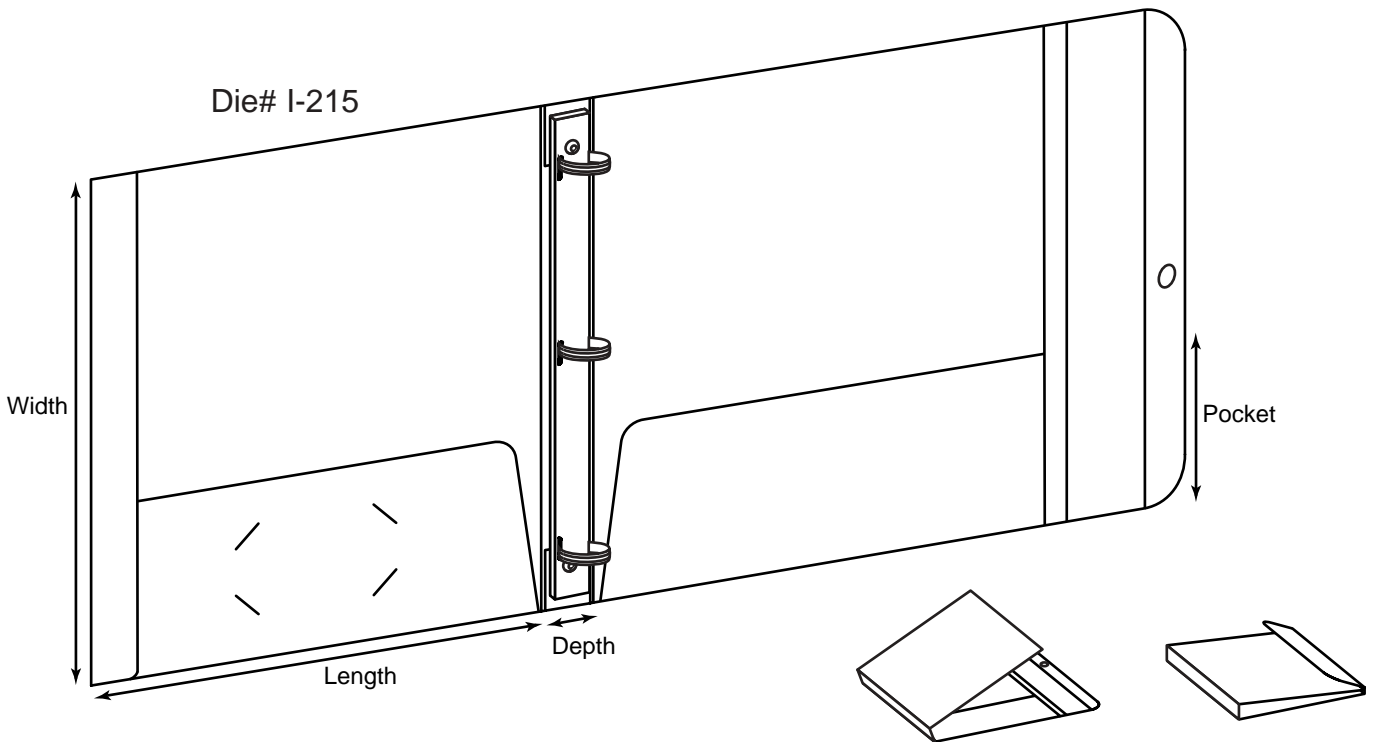
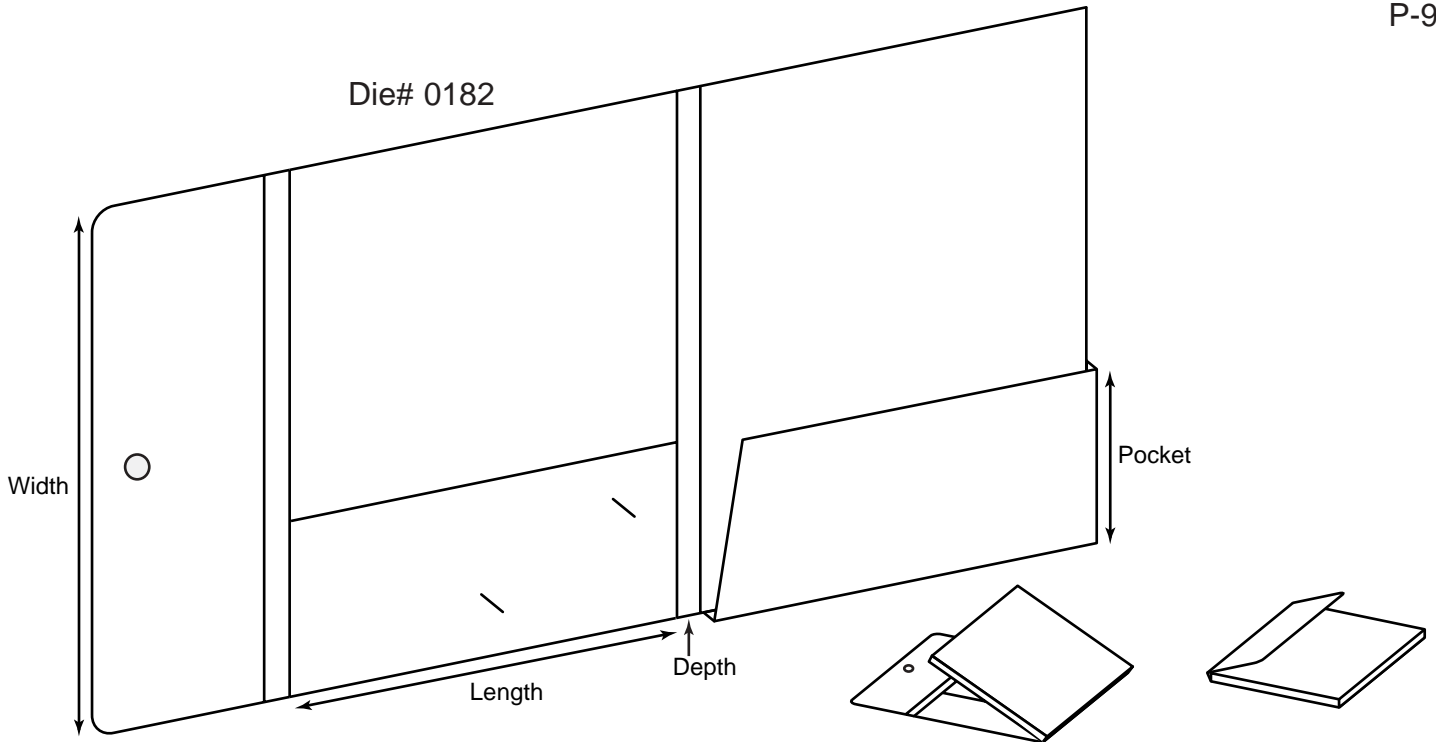
Die #	Length x Width x Depth	Description
<b>0124</b>	5-1/4 x 8-1/8 x 3/8	4-1/8" pocket with half moon cut
<b>I-198</b>	4-7/8 x 6-5/8 x 1/2	Two 2-5/8" pockets have 1/4" capacity
<b>I-230</b>	9-3/4 x 11-3/4 x 3/4	Two 4-1/4" pockets; right pocket has 3/4" capacity and inset well for audio case
<b>P-01568</b>	6-3/8 x 6-3/16	4 panel brochure; non-glued self-making; B-529-JF



POCKET FOLDERS  
PORTFOLIOS

Product Type: **Pocket Folders**

Die #	Length x Width x Depth	Description
<b>I-243</b>	9 x 11-1/2	2" and 4" non-glued pockets fold in to hold contents; has business card slit and rolo cards
<b>I-257</b>	9 x 12 x 1/2	Three 5" pockets; non-glued self-making center pocket has 1/2" capacity

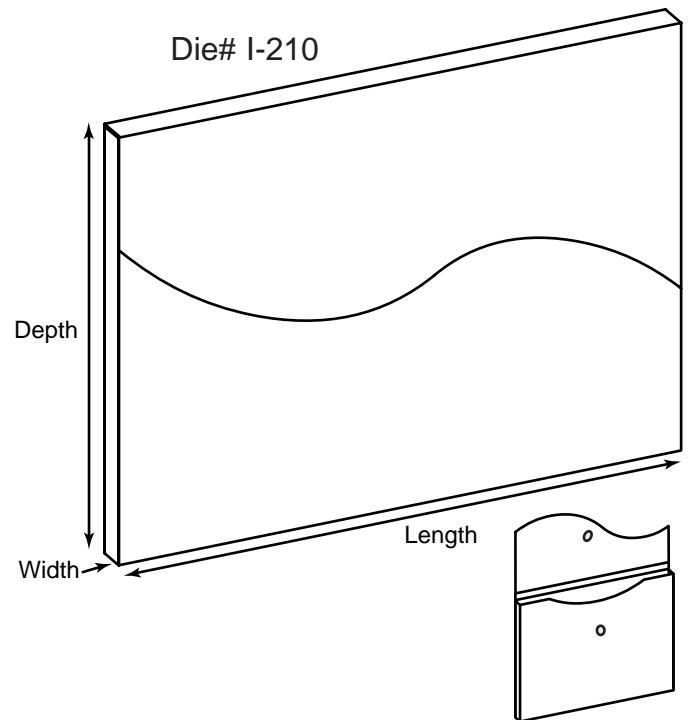
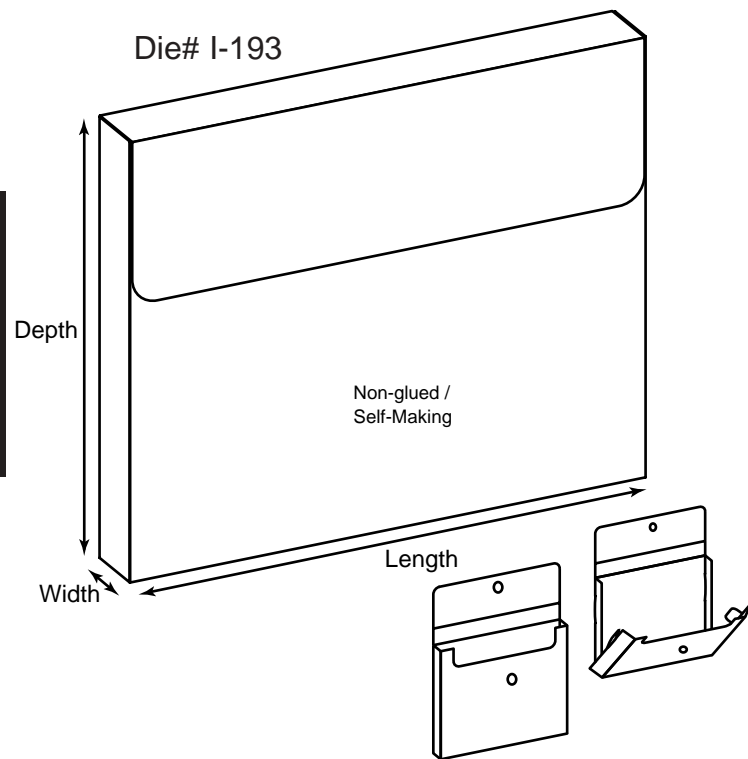
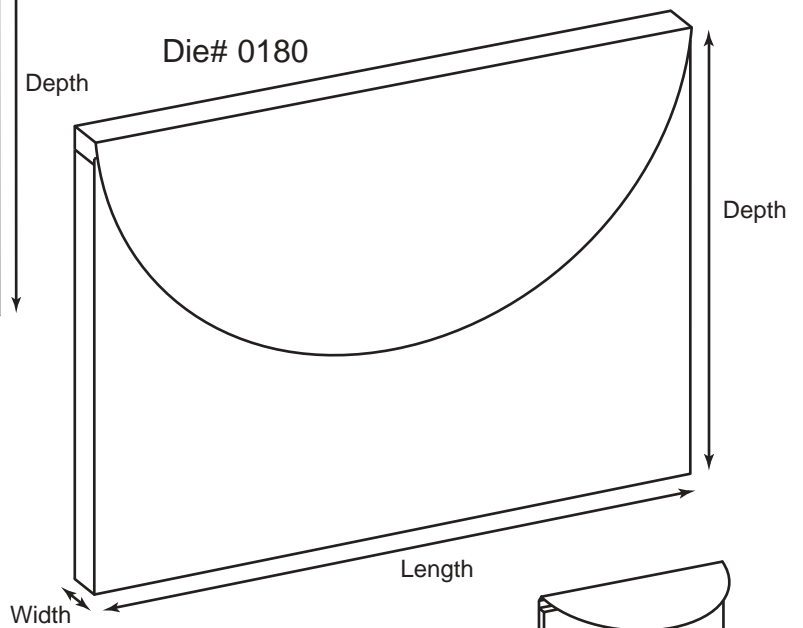
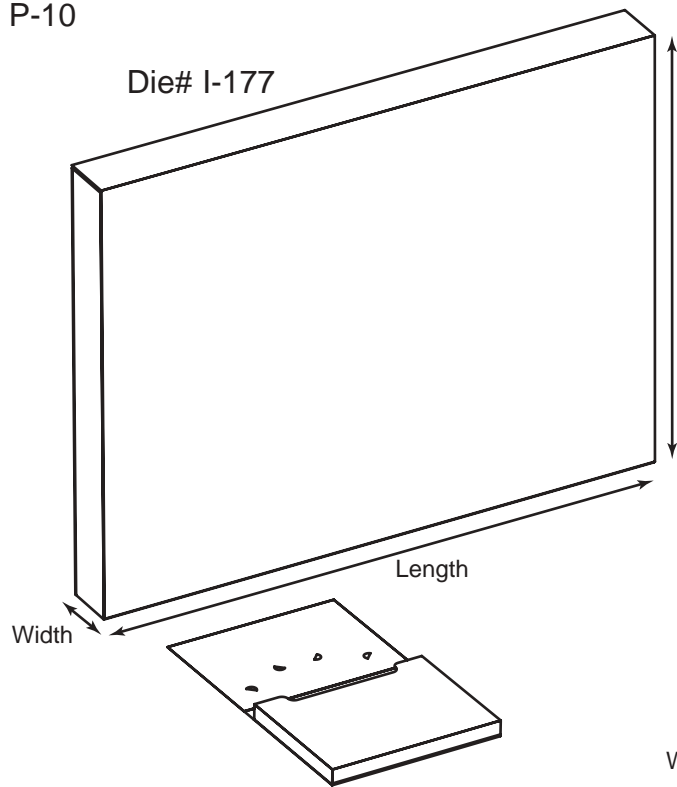


POCKET FOLDERS  
PORTFOLIOS

**Product Type: Pocket Folders**

Die #	Length x Width x Depth	Description
<b>0182</b>	9 x 12 x 9/16	Two 4" pockets; right pocket has 1/2" capacity; business card slit; wrap around flap
<b>I-215</b>	10 x 11-1/2 x 1-1/8	Two 4-1/2" pockets; 3/4" plastic 3 ring mechanism; business card slits at left; reinforced side edge at left; wrap around flap

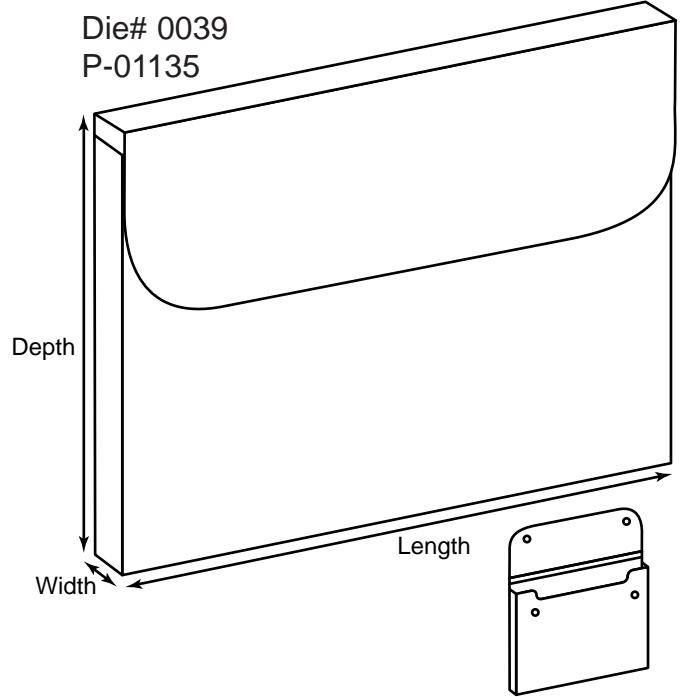
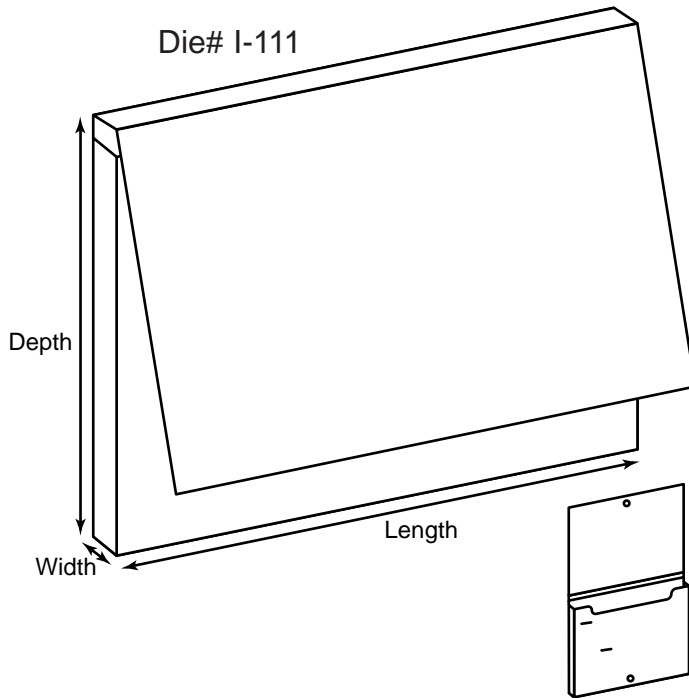
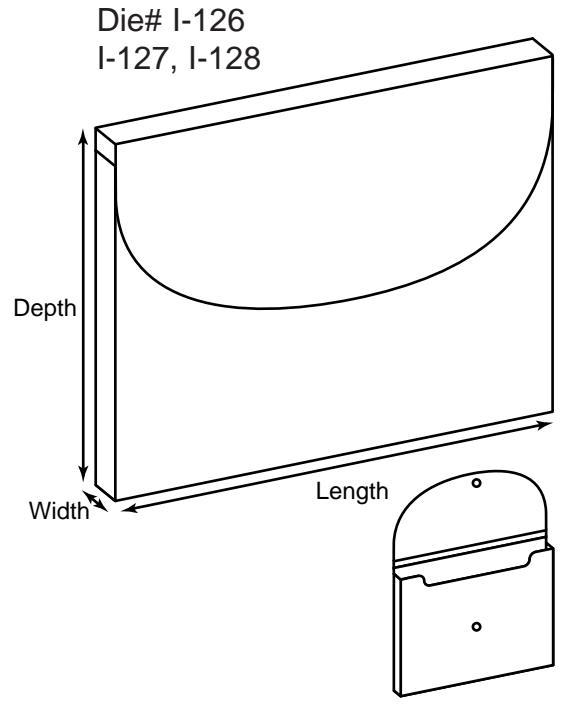
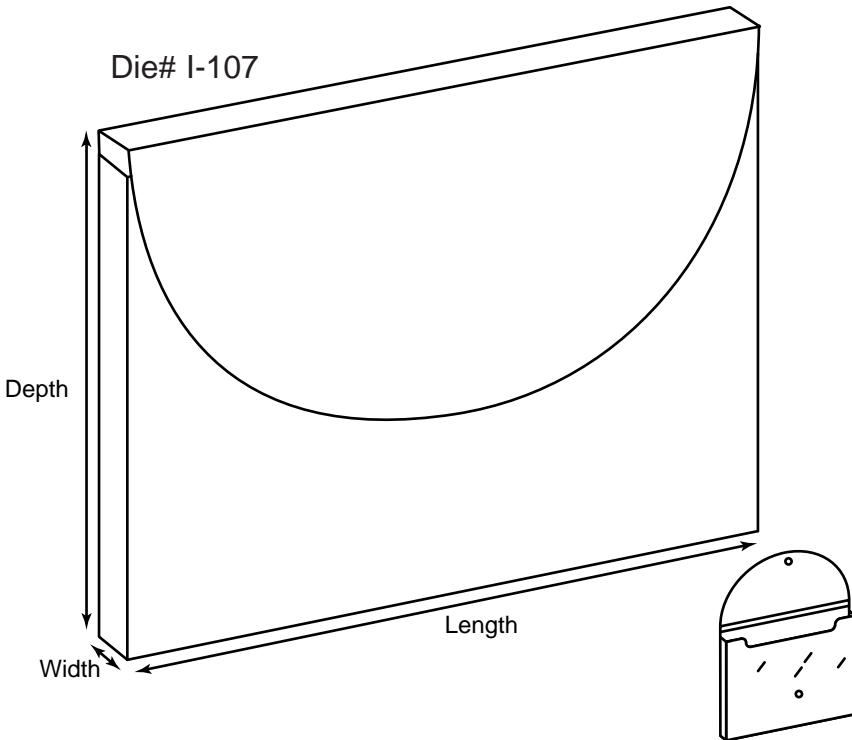
P-10



POCKET FOLDERS  
PORTFOLIOS

Product Type: **Pocket Folder or Portfolios**

Die #	Length x Width x Depth	Description
<b>I-177</b>	12-1/4 x 1-1/8 x 9-1/2	1-1/8" capacity folder/portfolio with business card slits
<b>0180</b>	13-1/16 x 9/16 x 10-5/16	9/16" capacity folder/portfolio with business card slits
<b>I-193</b>	12 x 1-1/2 x 10	1-1/2" capacity folder/portfolio; non-glued self-making
<b>I-210</b>	13-1/16 x 1/2 x 9-13/16	1/2" capacity presentation portfolio had "S" shape flap



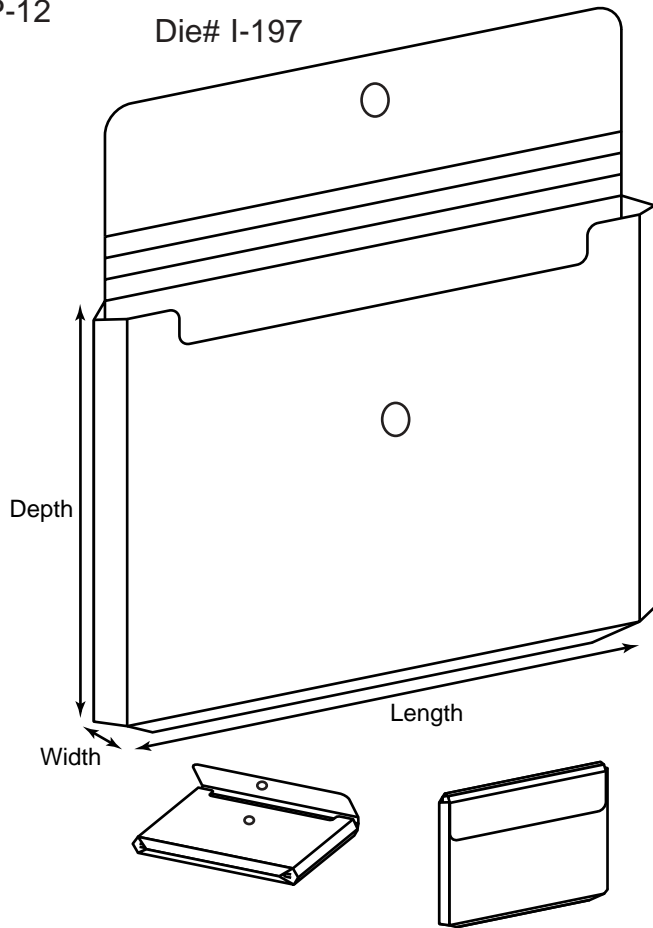
POCKET FOLDERS  
PORTFOLIOS

**Product Type: Pocket Folder or Portfolios**

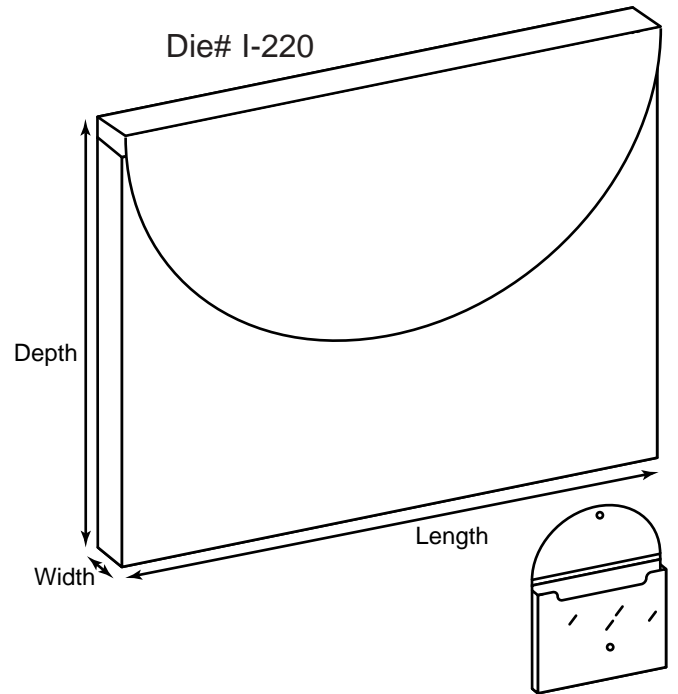
Die #	Length x Width x Depth	Description
<b>I-107</b>	13-1/16 x 9/16 x 10-5/16	5/8" capacity pocket folder/portfolio with business card slits
<b>I-126</b>	10 x 1 x 7-9/16	1" capacity pocket folder/portfolio
<b>I-127</b>	10 x 13/16 x 7-9/16	13/16" capacity pocket folder/portfolio
<b>I-128</b>	10 x 7-9/16	Pocket folder/portfolio
<b>I-111</b>	12 x 3/4 x 9	3/4" capacity pocket folder/portfolio with business card slit
<b>0039</b>	11-3/4 x 1 x 10	1" capacity pocket folder/portfolio
<b>P-01135</b>	12-1/4 x 3/4 x 9-1/4	3/4" capacity pocket folder/portfolio; B-360-JF

P-12

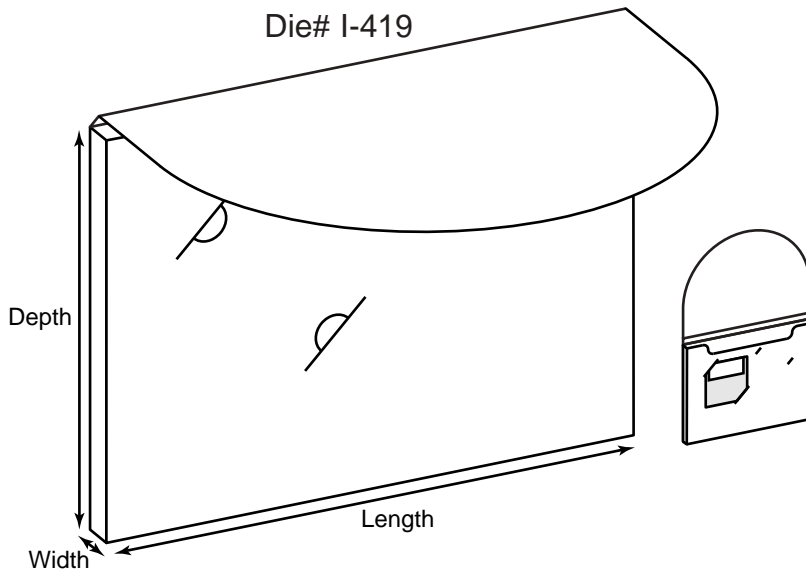
Die# I-197



Die# I-220



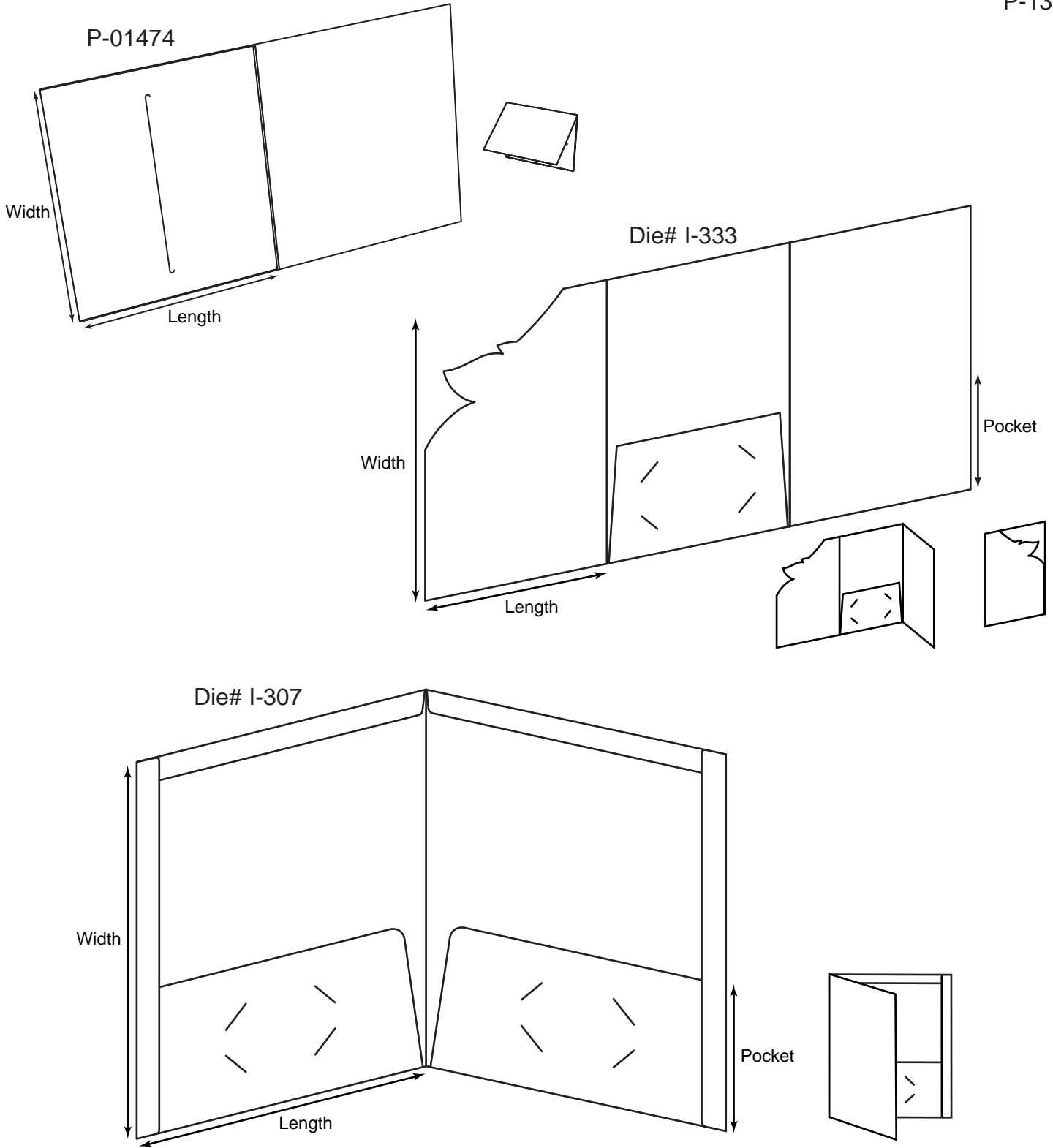
Die# I-419



POCKET FOLDERS  
PORTFOLIOS

**Product Type: Pocket Folders or Portfolios**

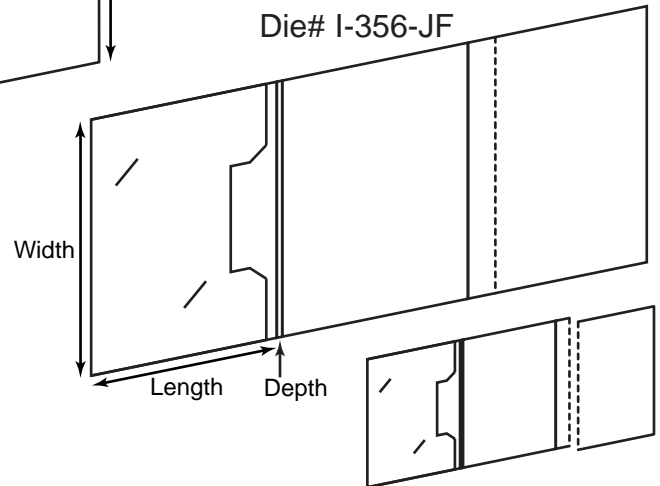
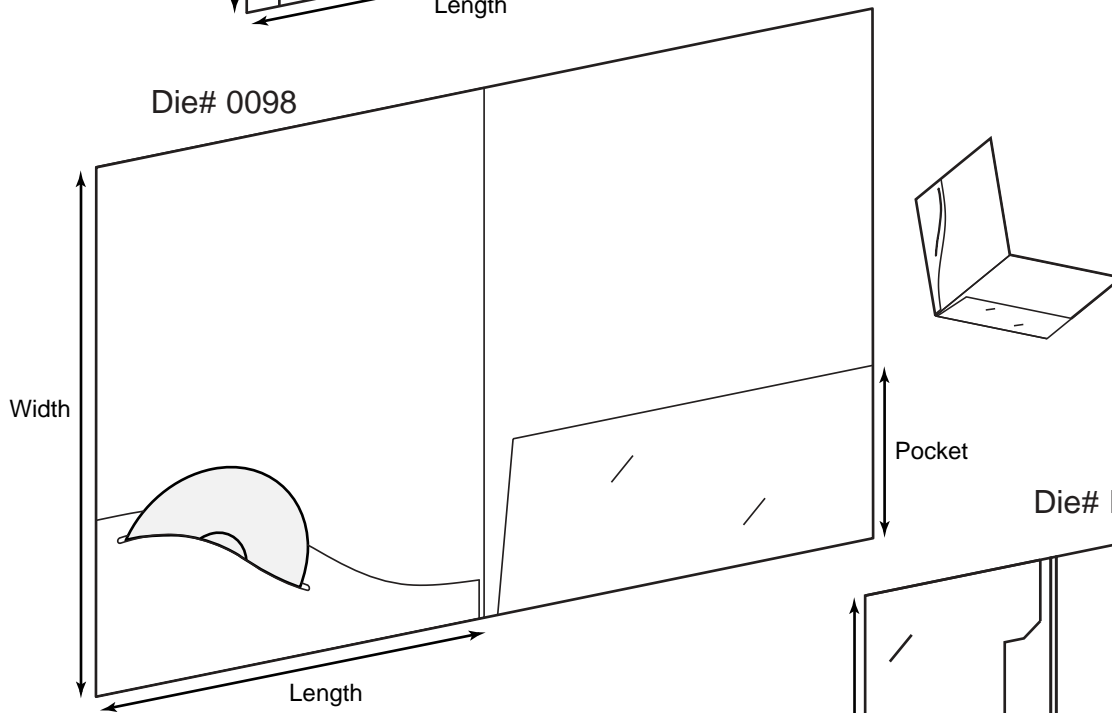
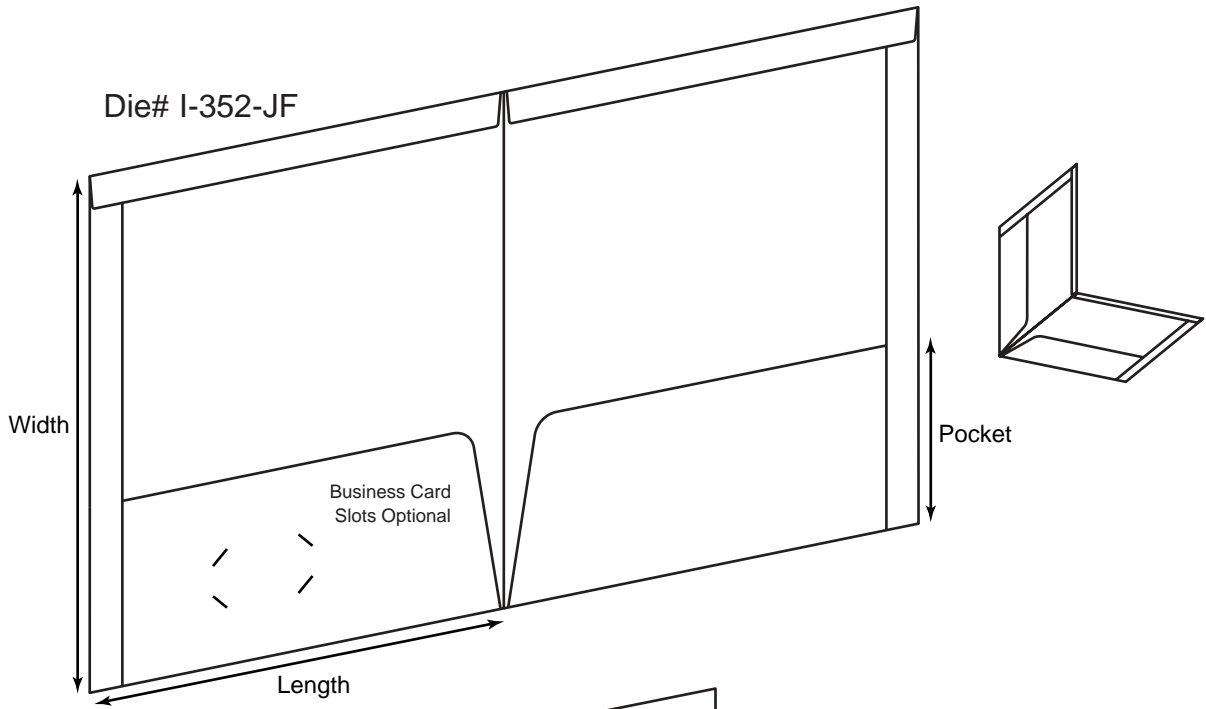
Die #	Length x Width x Depth	Description
<b>I-197</b>	12-5/16 x 1-1/2 x 9-5/8	Expandable pocket folder/portfolio with 3" over flap
<b>I-220</b>	13-1/16 x 1 x 9-13/16	1" capacity pocket folder/portfolio; business card slits
<b>I-419</b>	12-1/8 x 9/16 x 9-1/8	Pocket folder with business card and diskette slits



**POCKET FOLDERS  
PORTFOLIOS**

**Product Type: Pocket Folders**

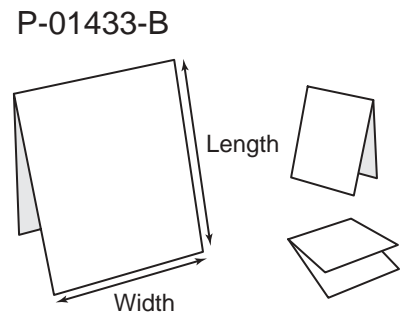
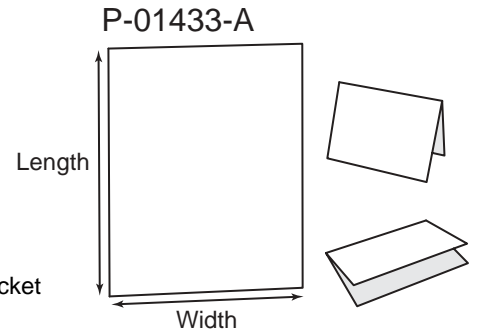
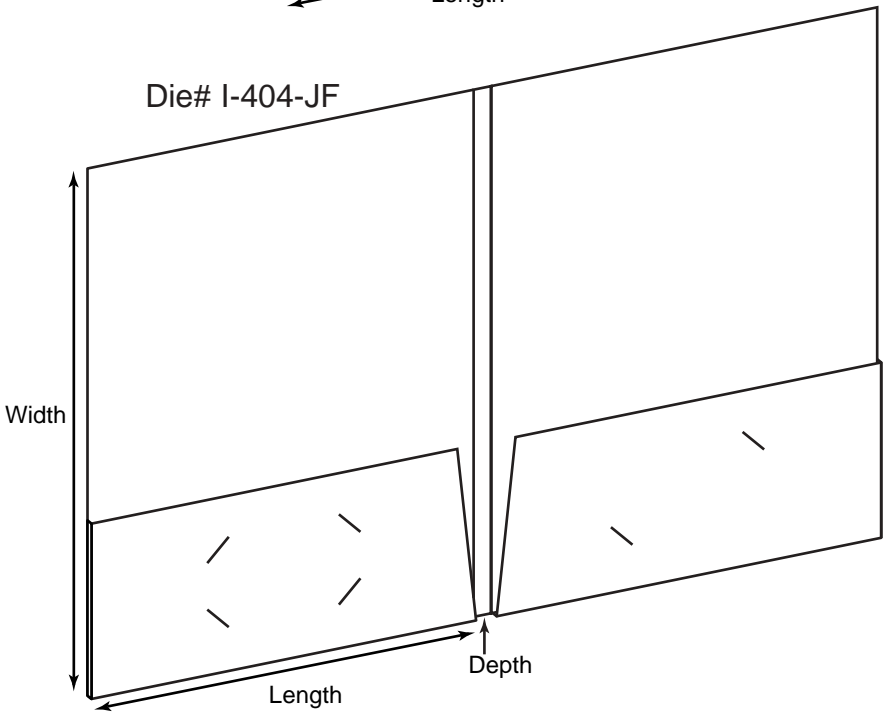
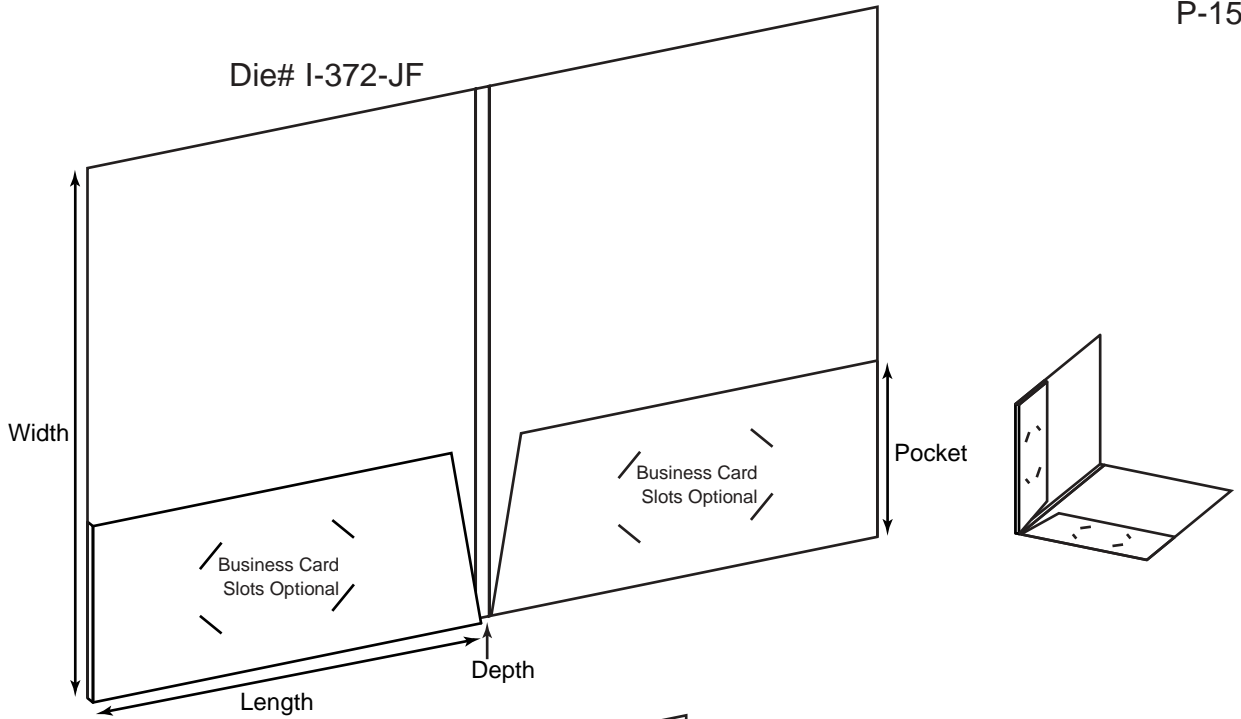
Die #	Length x Width x Depth	Description
<b>P-01474</b>	6 x 7-1/4	Christmas card with CD holder (10pta); B-464
<b>I-333</b>	5-3/4 x 8-3/4	3-9/16" pocket with business card slits
<b>I-307</b>	9-5/8 x 11-3/4	4-7/16" pocket with business card slits; reinforced edges



**Product Type: Pocket Folder and Mailer**

**Die #**      **Length x Width x Depth**      **Description**

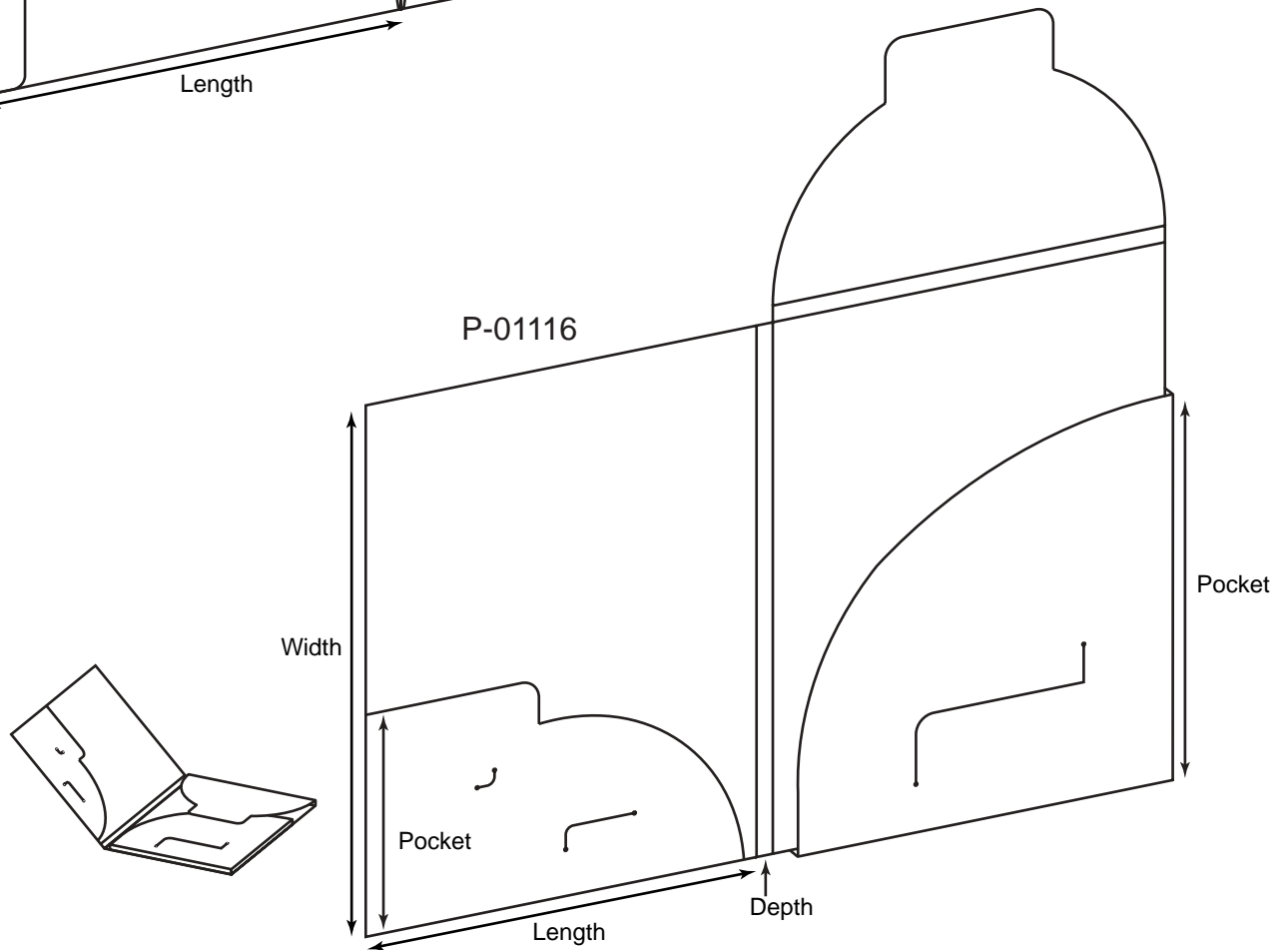
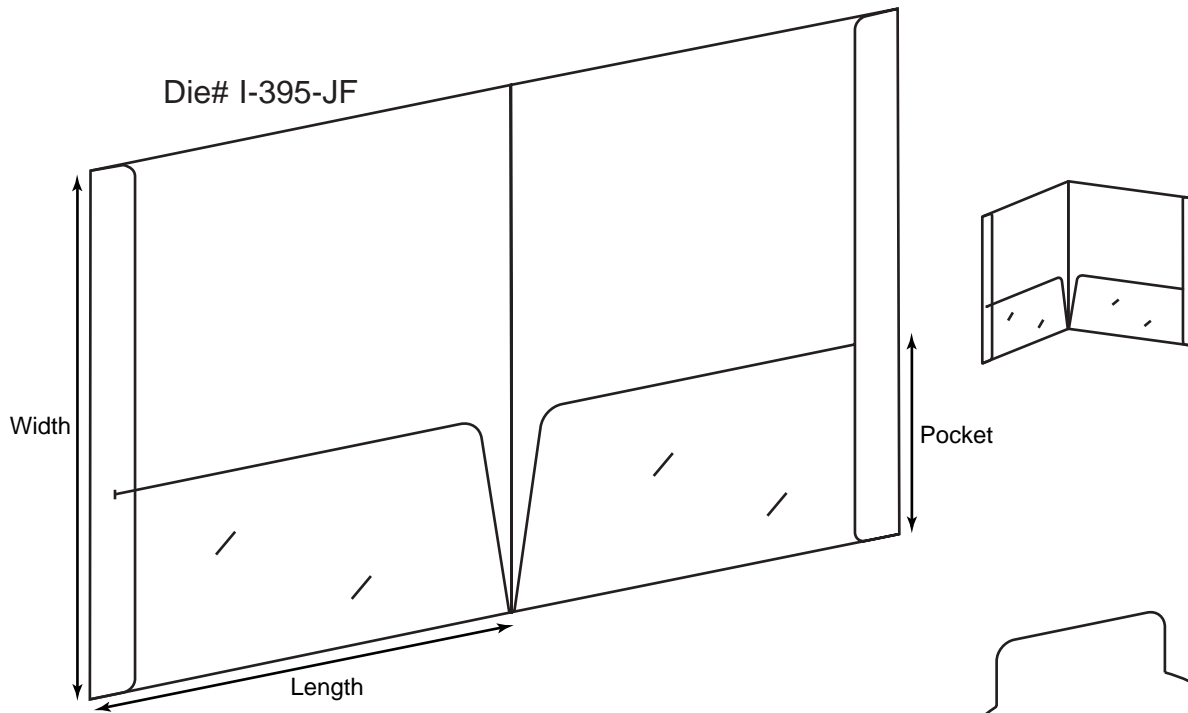
Die #	Length x Width x Depth	Description
<b>I-352-JF</b>	9-5/8 x 11-3/4	4-3/16" pocket with reinforced edges and removable business card slits
<b>0098</b>	9 x 12	4" pocket with business card slit and left pocket has a CD slot
<b>I-356-JF</b>	4-1/4 x 5-3/4 x 1/8	Pocket folder/mailer - business card slit and business reply card



POCKET FOLDERS  
PORTFOLIOS

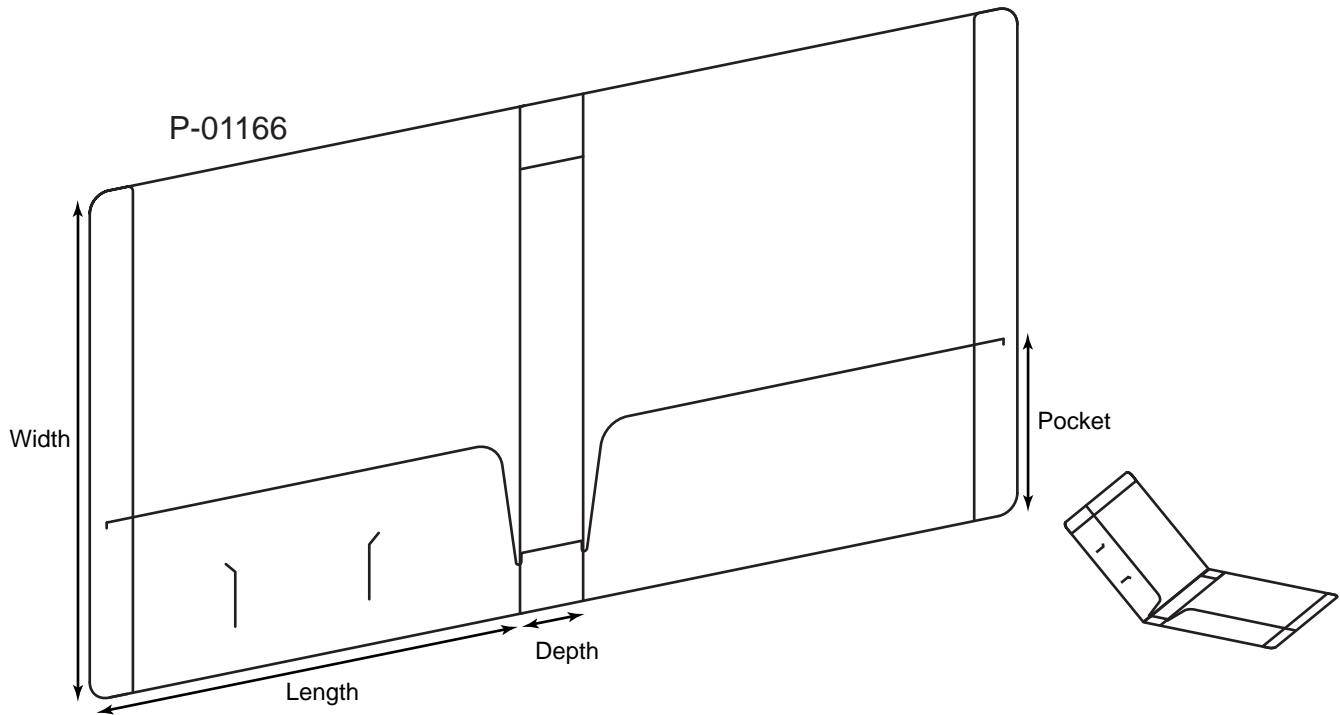
**Product Type: Pocket Folders**

Die #	Length x Width x Depth	Description
<b>I-372-JF</b>	9 x 12 x 5/16	Two 4" pocket has 1/4" capacity at left; removable business card slits
<b>I-404-JF</b>	9 x 12 x 13/32	Two 4" pocket has 3/16" capacity and business card slits
<b>P-01433-A</b>	6-1/8 x 4-1/2	Single fold literature; B-445
<b>P-01433-B</b>	4-1/2 x 3-1/2	Single fold literature; B-445



*Product Type:* **Pocket Folders**

Die #	Length x Width x Depth	Description
<b>I-395-JF</b>	9-3/4 x 12	Two 4-1/2" pocket, left pocket is 3/4" wider; reinforced edges
<b>P-01116</b>	9-1/16 x 12-1/16 x 3/8	5" and 8-11/16" pockets, one pocket holds 3.5 diskette and the other pocket holds a brochure; B-015-JF



P-01166

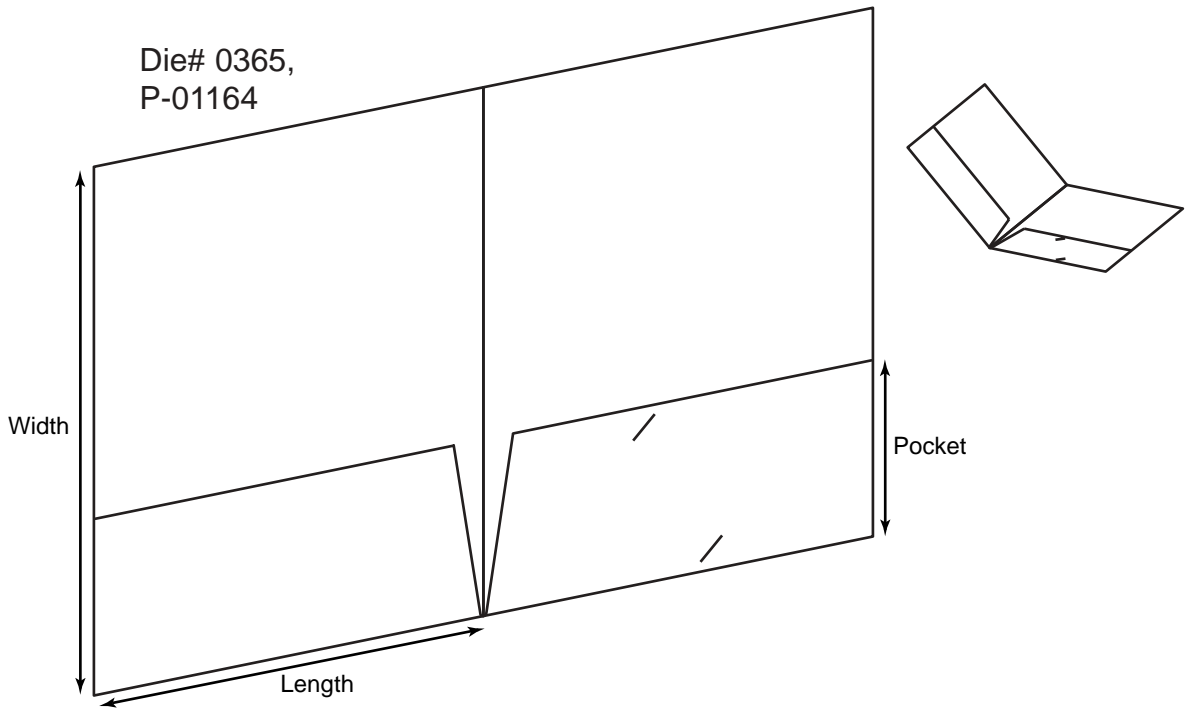
Width

Length

Depth

Pocket

Die# 0365,  
P-01164



Width

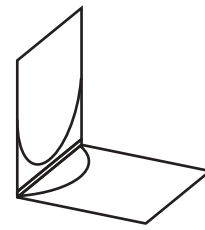
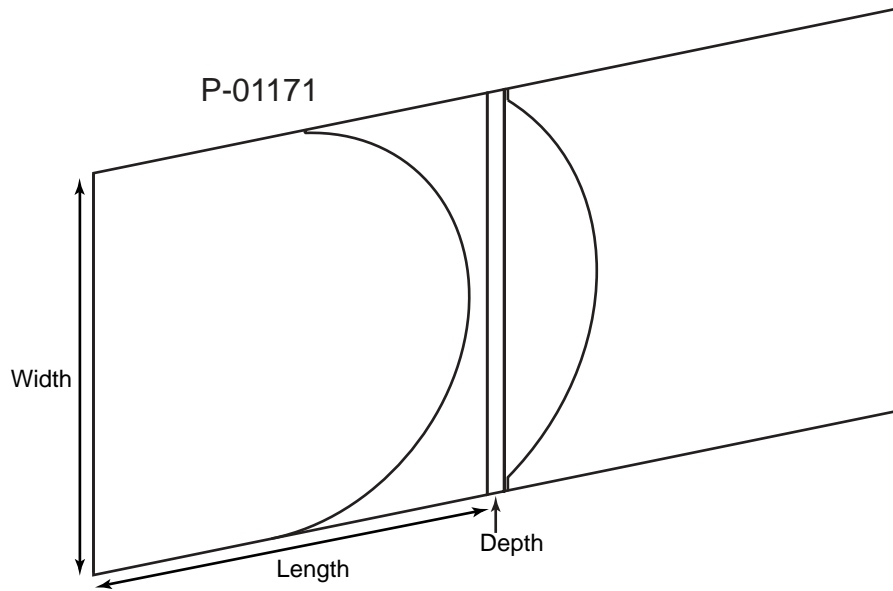
Length

Pocket

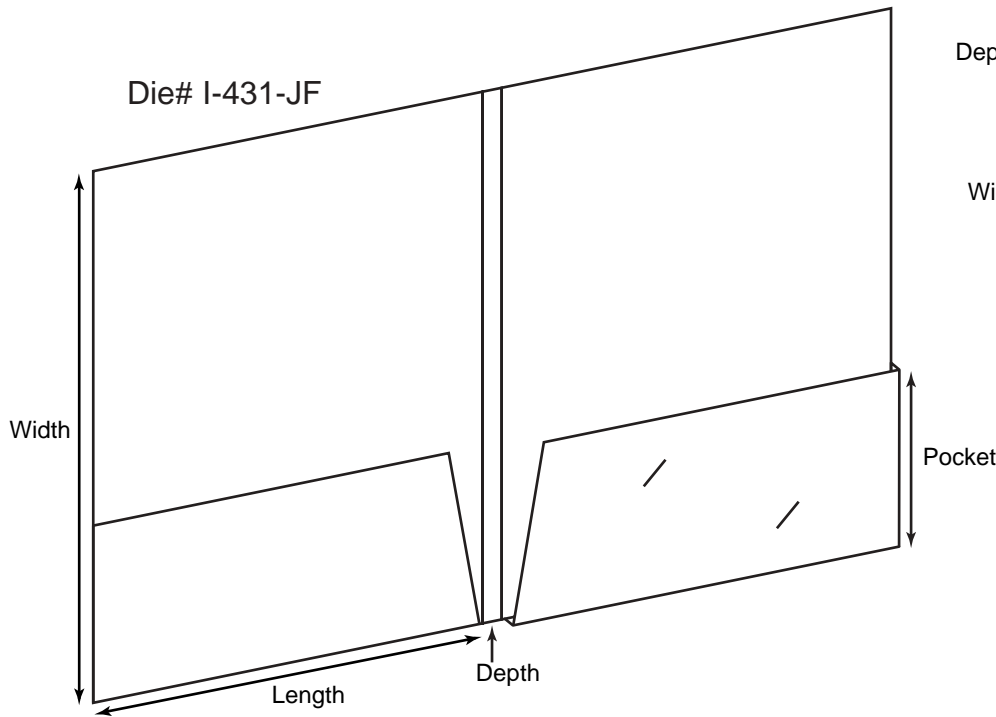
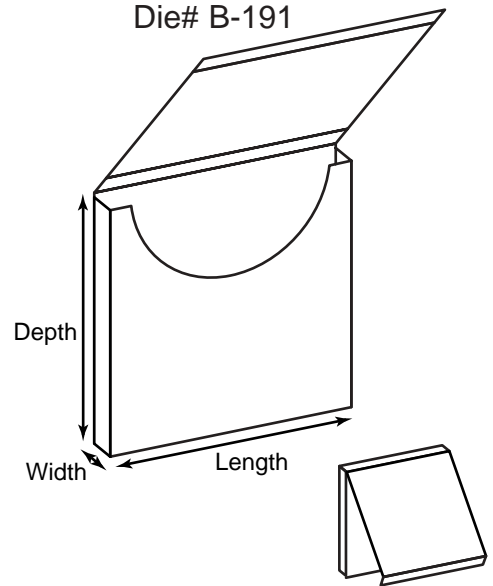
**Product Type: Pocket Folders**

*Die #      Length x Width x Depth      Description*

<i>Die #</i>	<i>Length x Width x Depth</i>	<i>Description</i>
<b>P-01166</b>	10 x 11-1/2 x 1-1/2	Two 4" pockets with business card slit on left; 3 ring binder; B-039-JF
<b>0365</b>	6-3/8 x 9	Two 2-5/8" pockets with business card slit on right
<b>P-01164</b>	9-1/16 x 12	Two 4" pockets with business card slit on right; B-037-JF



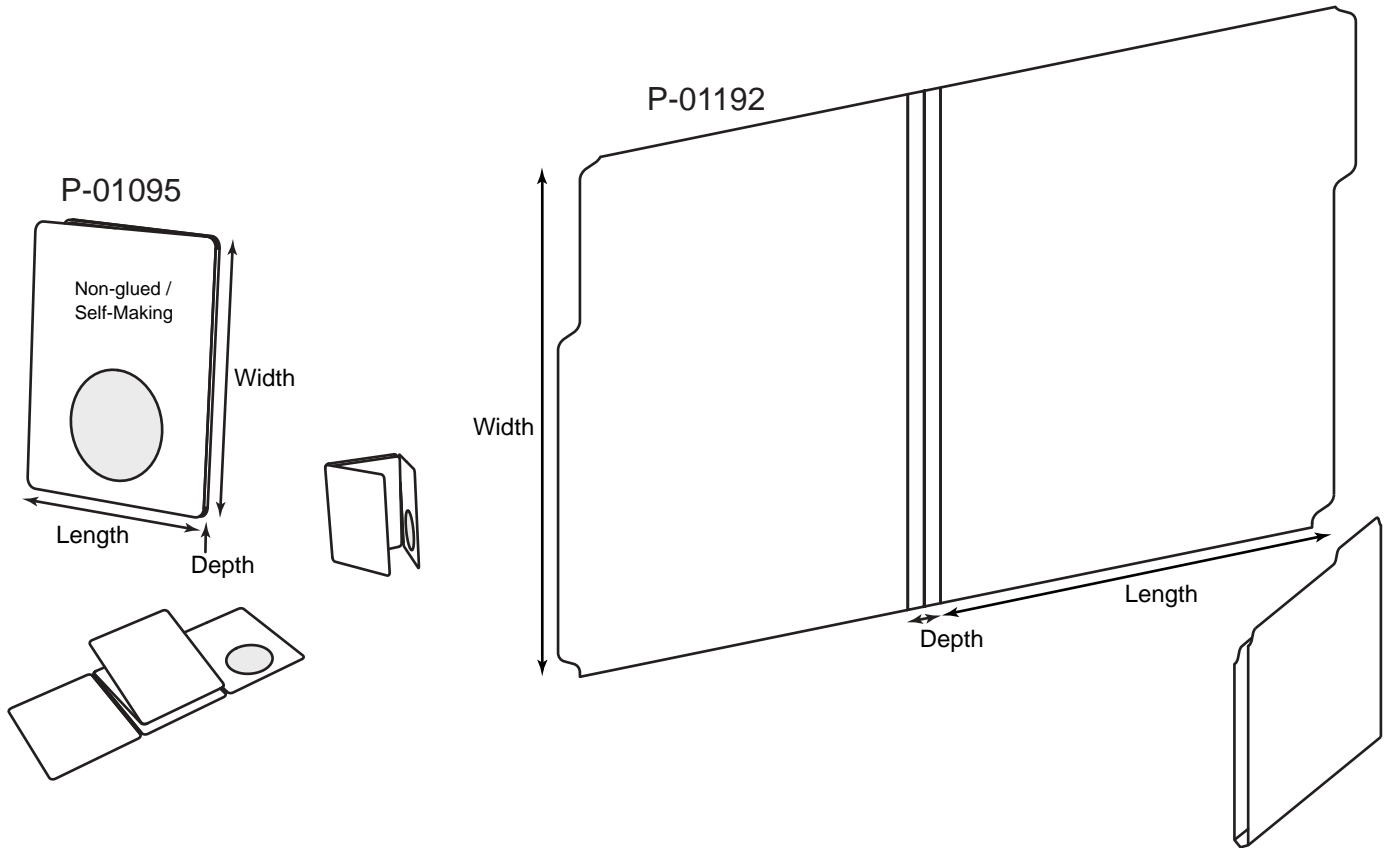
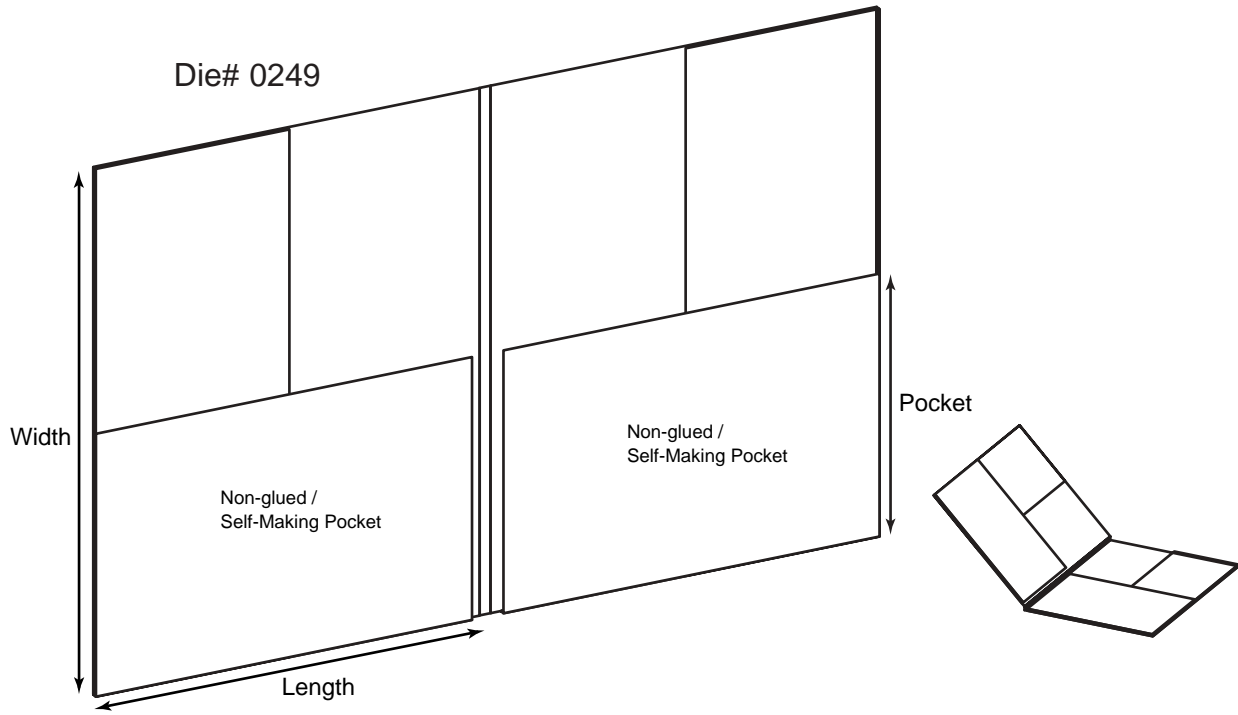
Die# B-191



**Product Type: Pocket Folders and Presentation Pack**

**Die #**      **Length x Width x Depth**      **Description**

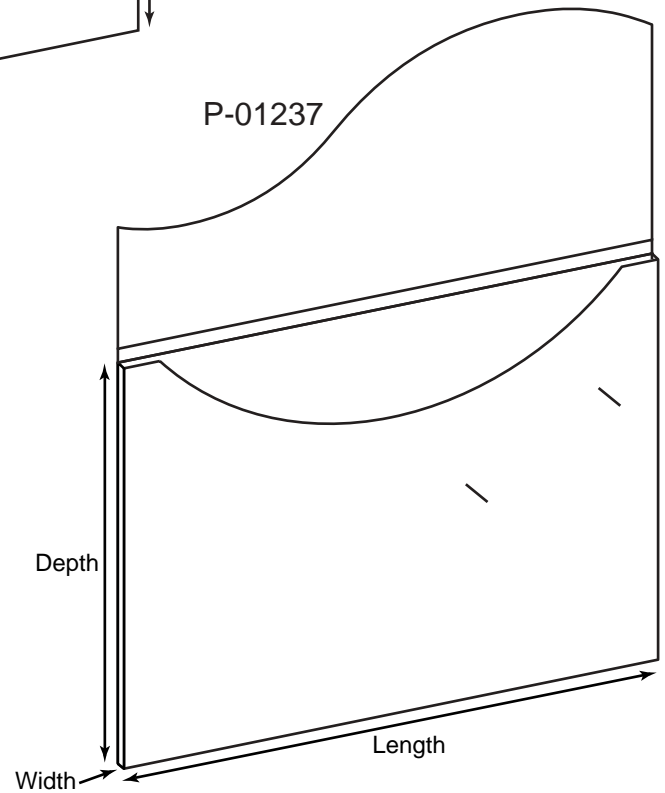
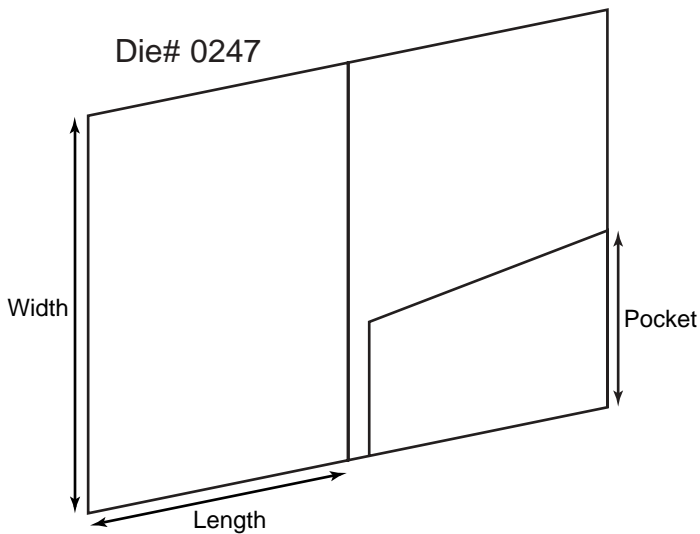
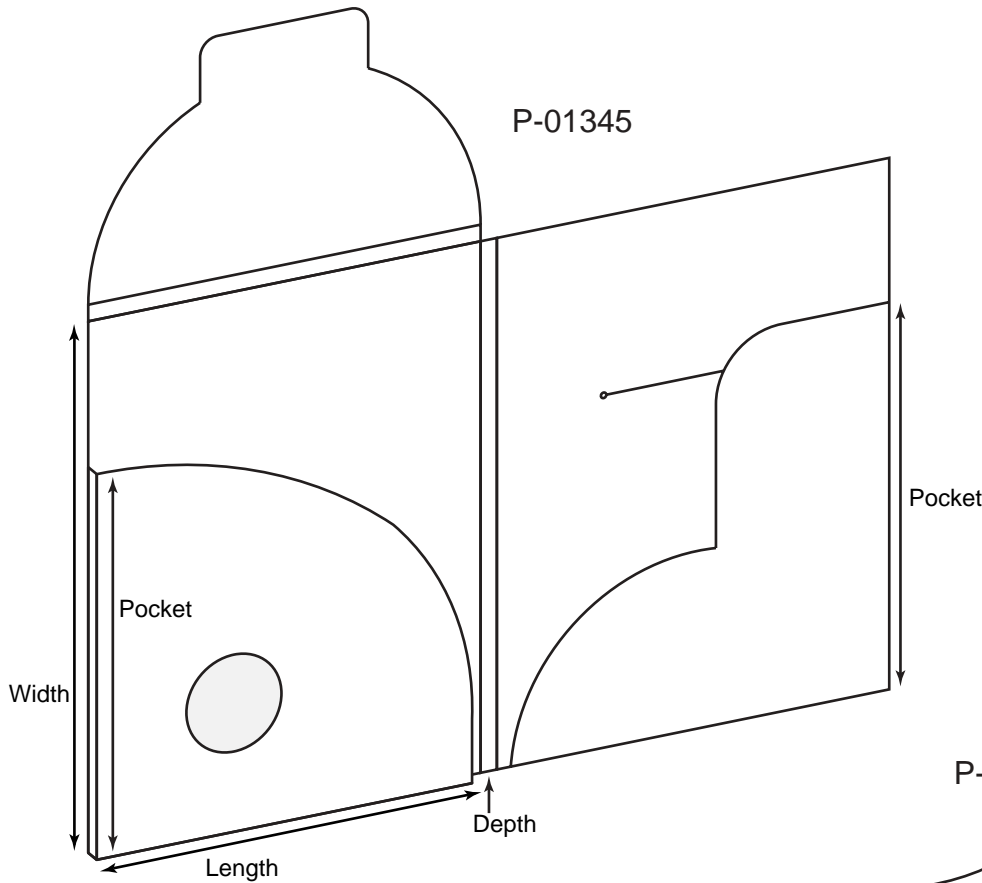
<b>P-01171</b>	9-1/32 x 9-1/32 x 3/8	Oversized CD style pocket folder, with mirrored half moon reinforced panel; B-044
<b>B-191</b>	5-11/16 x 3/4 x 5-9/16	Presentation pack
<b>I-431-JF</b>	9 x 12 x 7/16	Two 4" pockets, right pocket has 3/8" capacity and business card slit



POCKET FOLDERS  
PORTFOLIOS

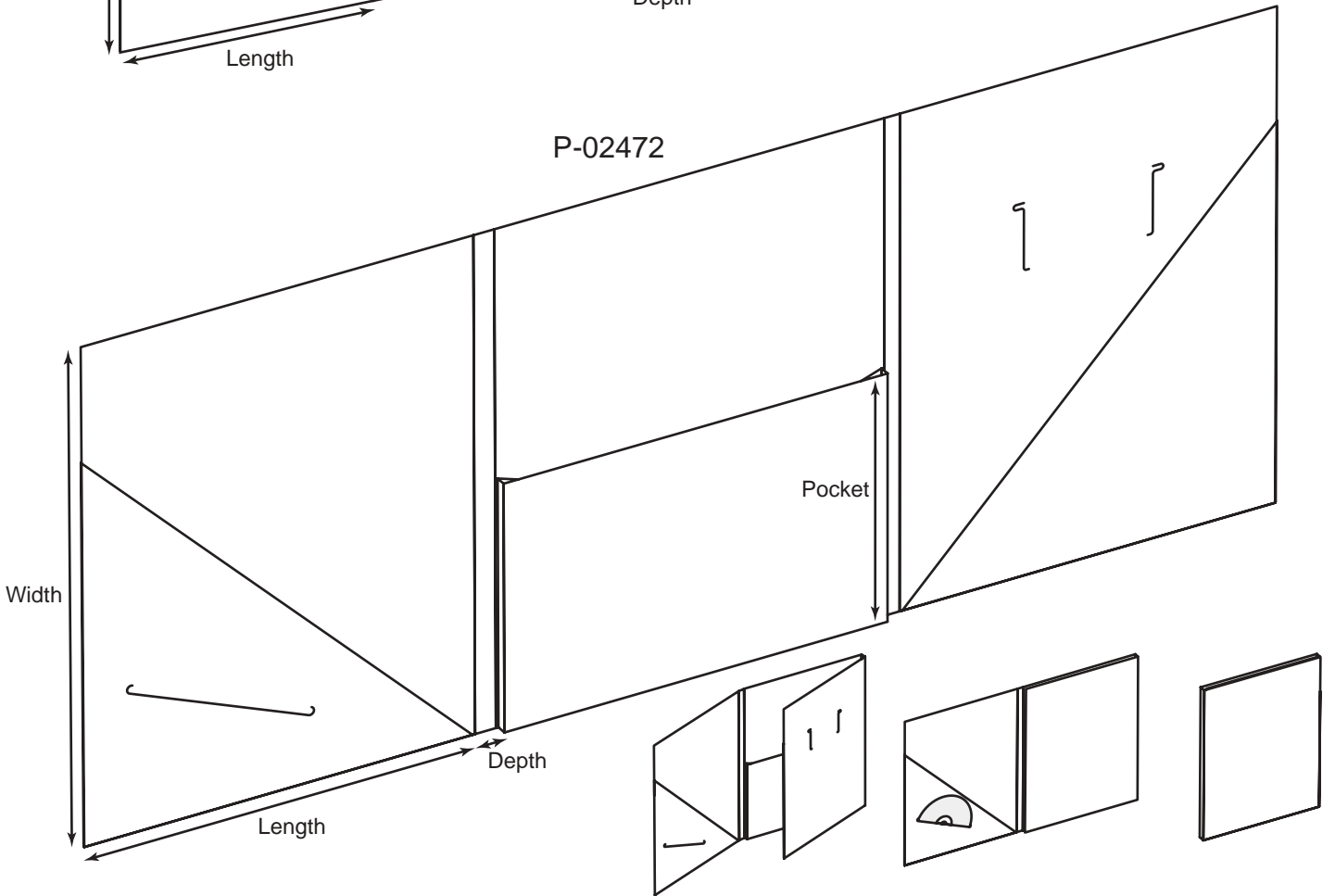
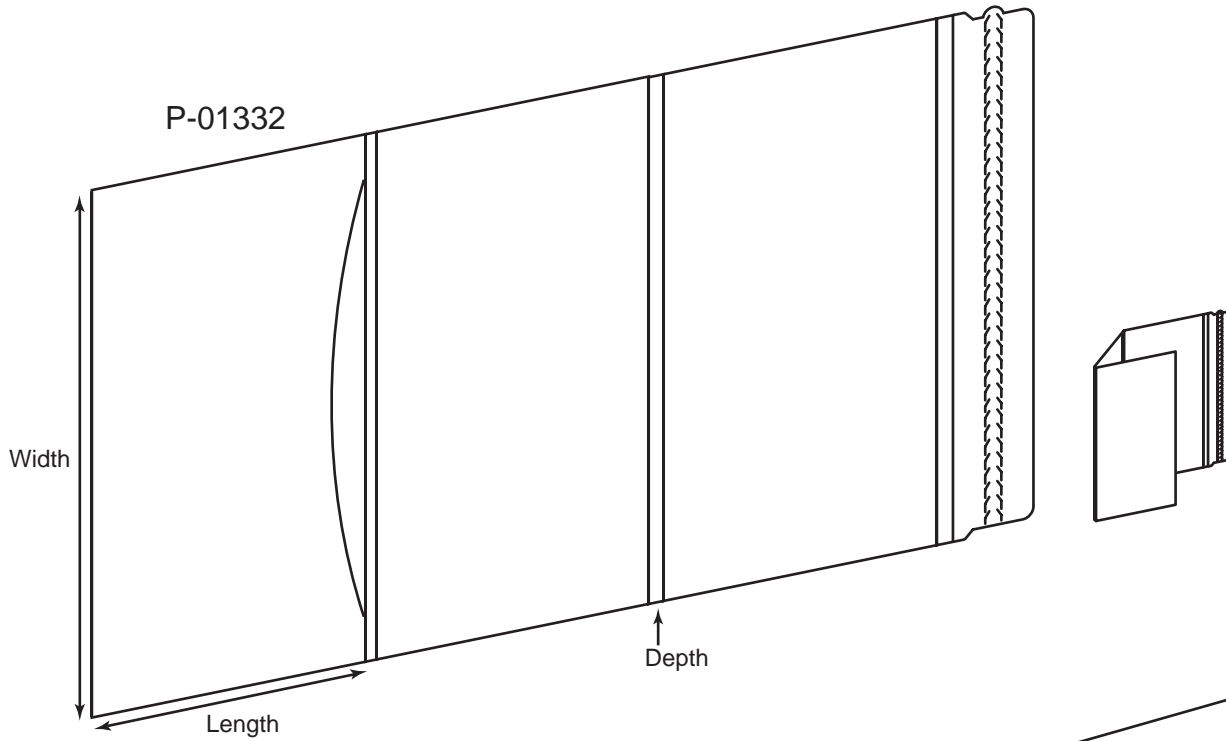
**Product Type: Pocket Folders and File and Mailer/Brochure**

Die #	Length x Width x Depth	Description
<b>0249</b>	9 x 12 x 1/4	Two fold pockets, 6" pocket non-glued has 1/8" capacity
<b>P-01192</b>	9-1/2 x 11-5/8 x 3/4	File folder; B-066-JF
<b>P-01095</b>	5 x 6-1/8 x 1/8	Five panel mailer/brochure with window and business reply card, gluing is optional and not required; B-346-JF



**Product Type: Pocket Folders**

Die #	Length x Width x Depth	Description
<b>P-01345</b>	9-1/8 x 12-1/16 x 3/8	8-11/16" and 8-3/4" pocket, right pocket has 1/4" capacity; left pocket has a circle window; B-125
<b>0247</b>	6 x 9	4" pocket folder
<b>P-01237</b>	12-5/16 x 9-1/16 x 5/16	1/4" capacity, business card slit; wavy over flap; velcro closure optional; B-087

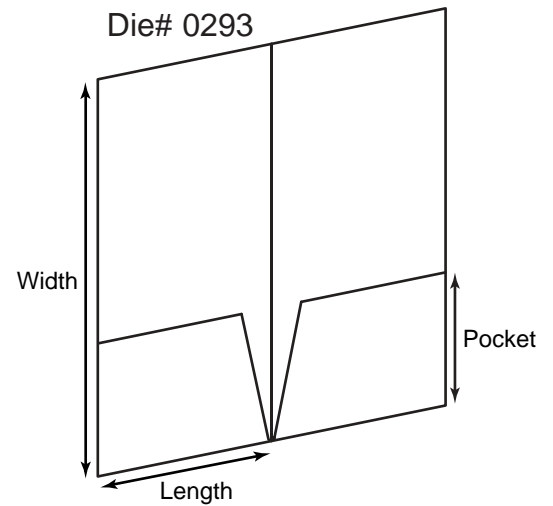
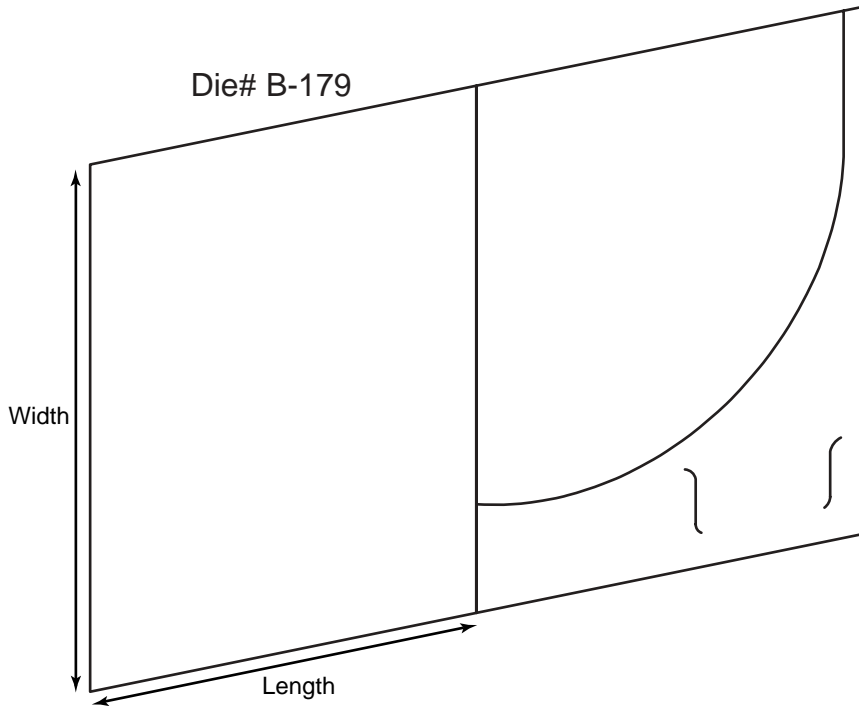
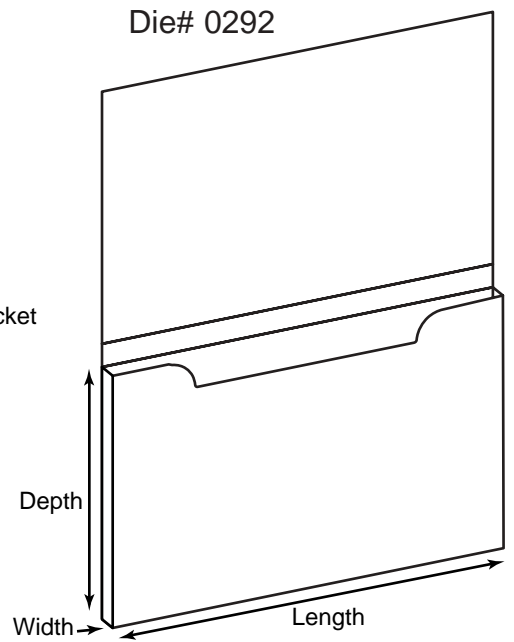
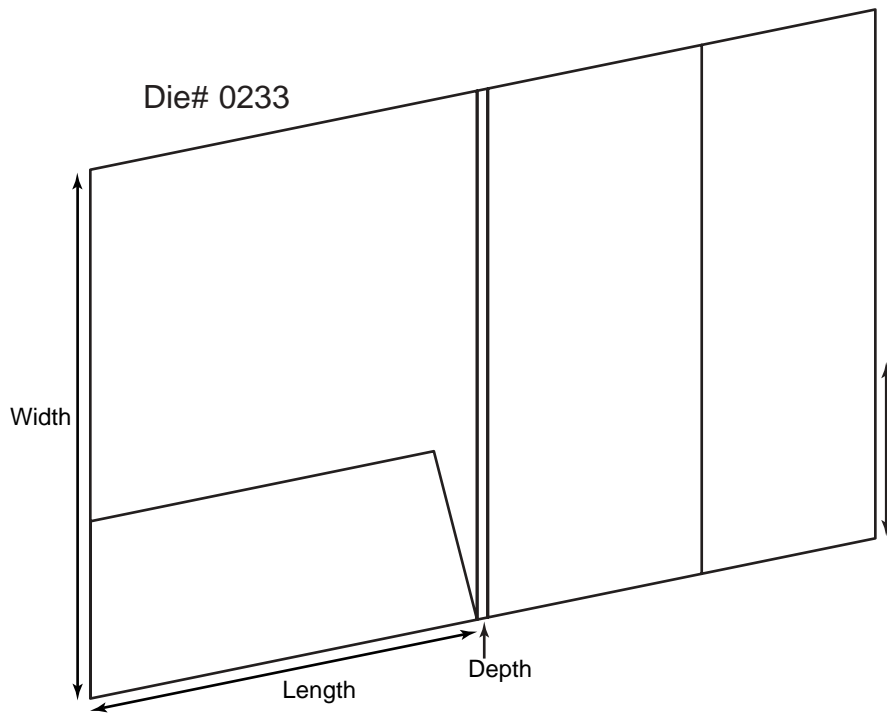


POCKET FOLDERS  
PORTFOLIOS

Product Type: **Pocket Folders and Mailer's**

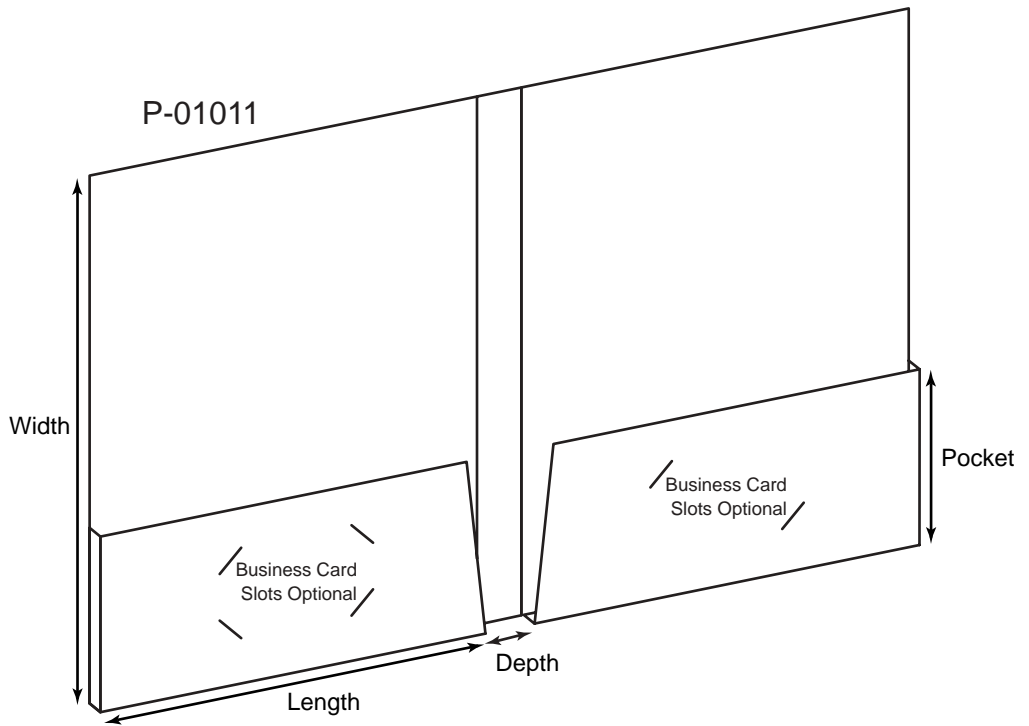
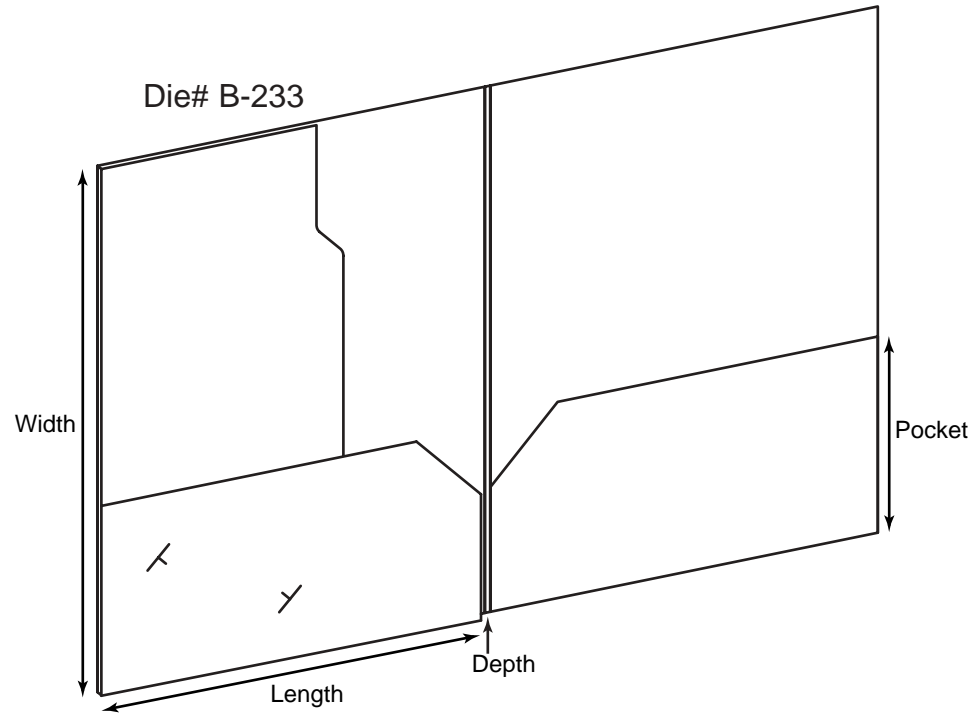
Die #      Length x Width x Depth      Description

<b>P-01332</b>	6-7/16 x 12 x 3/8	Zip strip mailer; B-114
<b>P-02472</b>	9-3/8 x 12 x 1/2	Three pockets, 6" center pocket has 1/4" capacity; B-165



*Product Type:* **Pocket Folders**

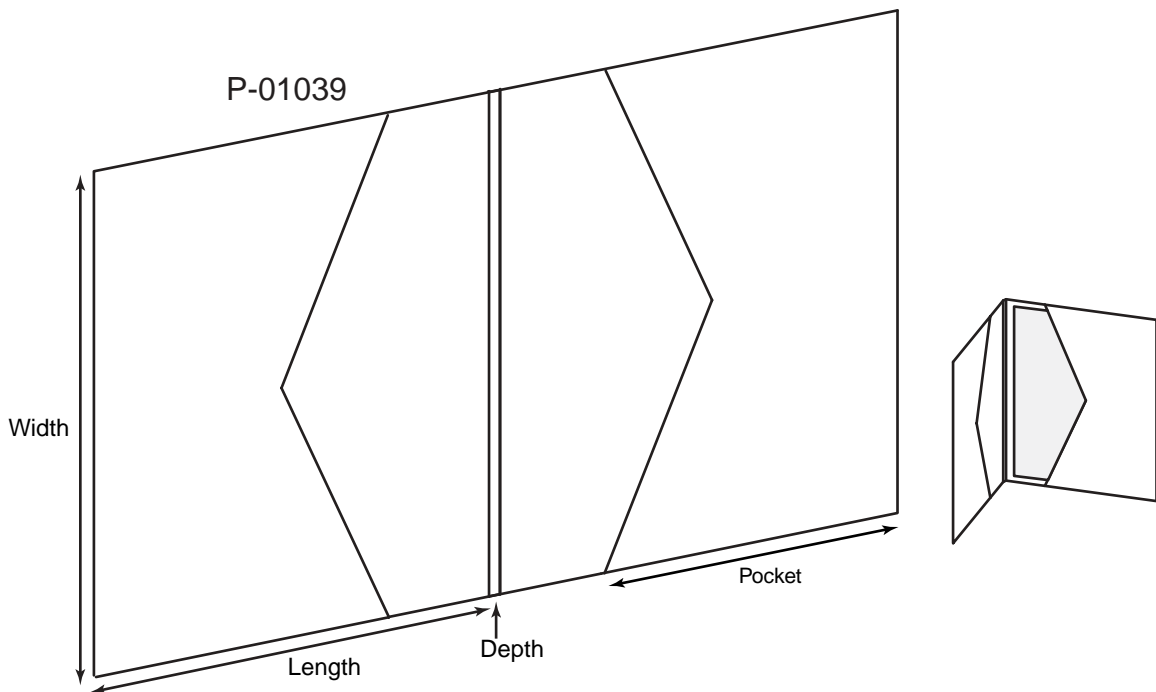
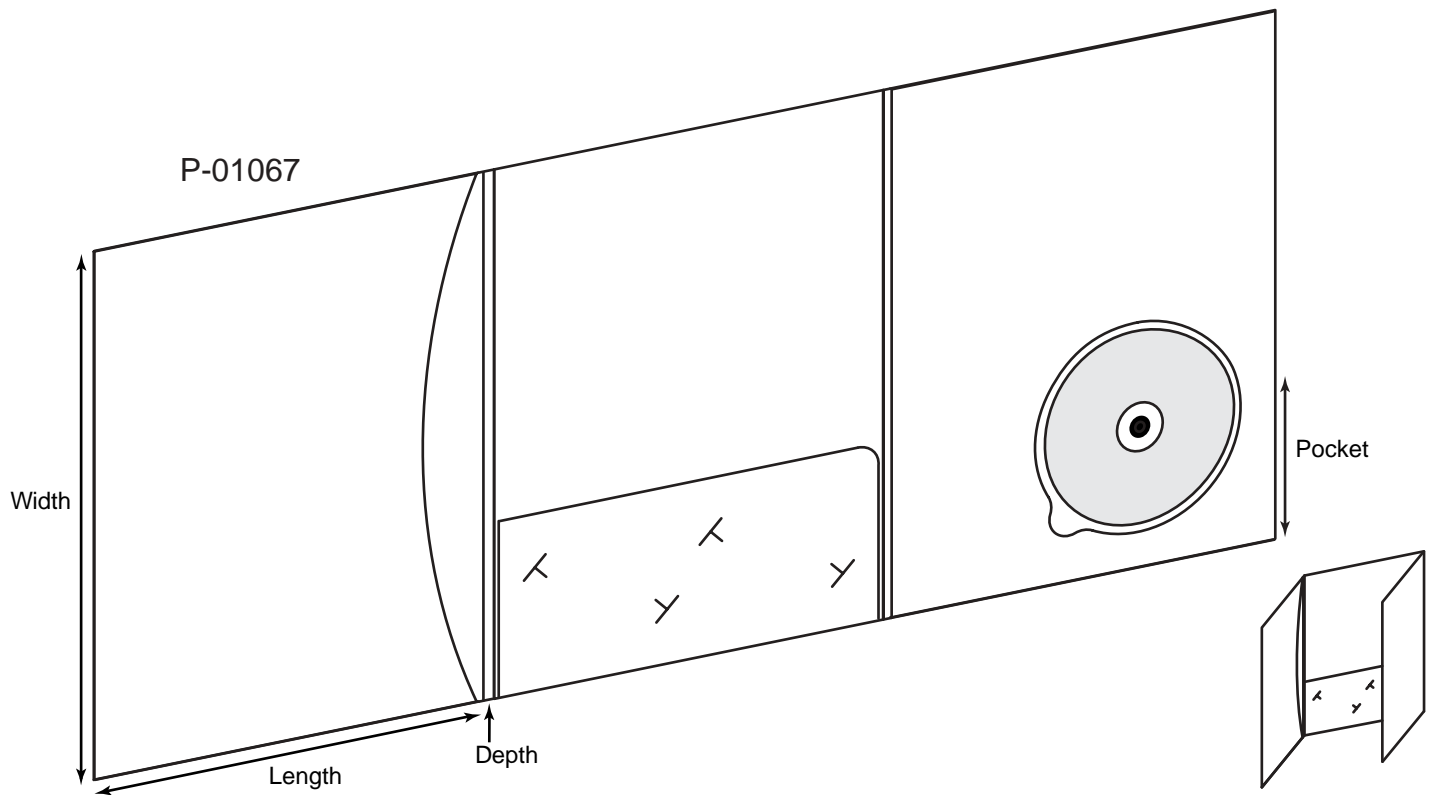
<i>Die #</i>	<i>Length x Width x Depth</i>	<i>Description</i>
<b>0233</b>	9 x 12 x 1/4	4" pocket and vertical pockets
<b>0292</b>	9-1/8 x 1/2 x 5-13/16	Pocket Folder/Portfolio
<b>B-179</b>	9 x 12	Curved pocket with business card slit
<b>0293</b>	4-1/16 x 9	Two 3" pockets



POCKET FOLDERS  
PORTFOLIOS

Product Type: **Pocket Folders**

Die #	Length x Width x Depth	Description
<b>B-233</b>	9 x 12 x 3/16	Two pocket folder with partial over flap, 4-1/2" pocket with business card slit
<b>P-01011</b>	9 x 12 x 1-1/16	Two 4" pockets have 1/2" capacity with removable business card slits; 0374

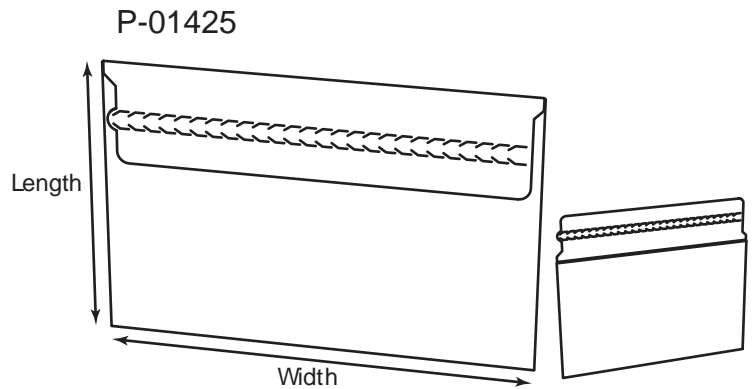
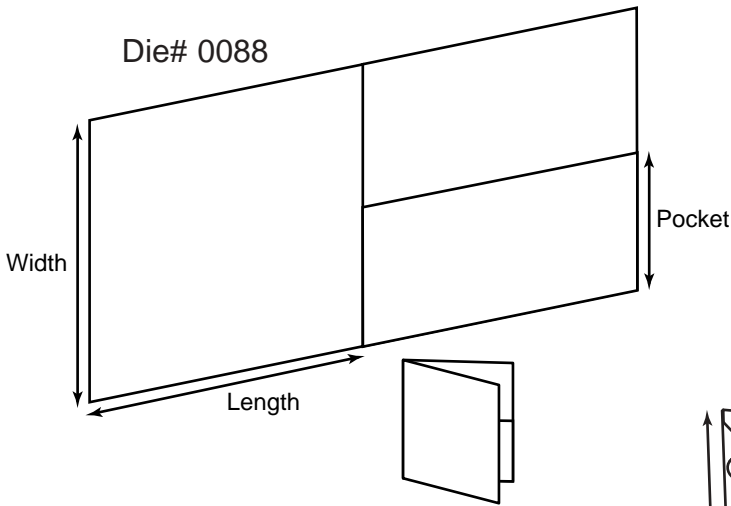
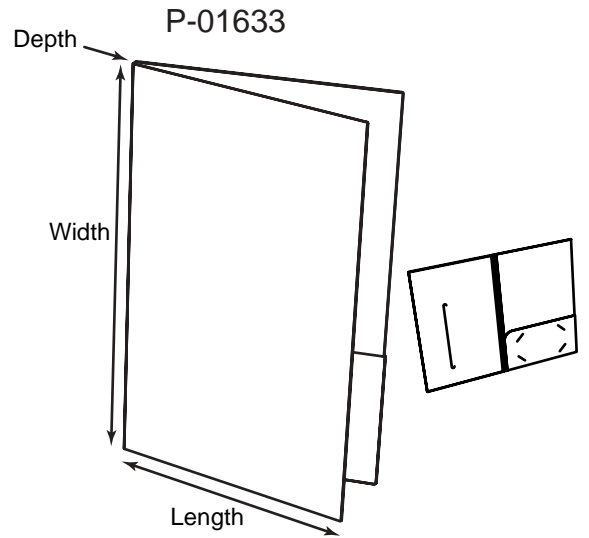
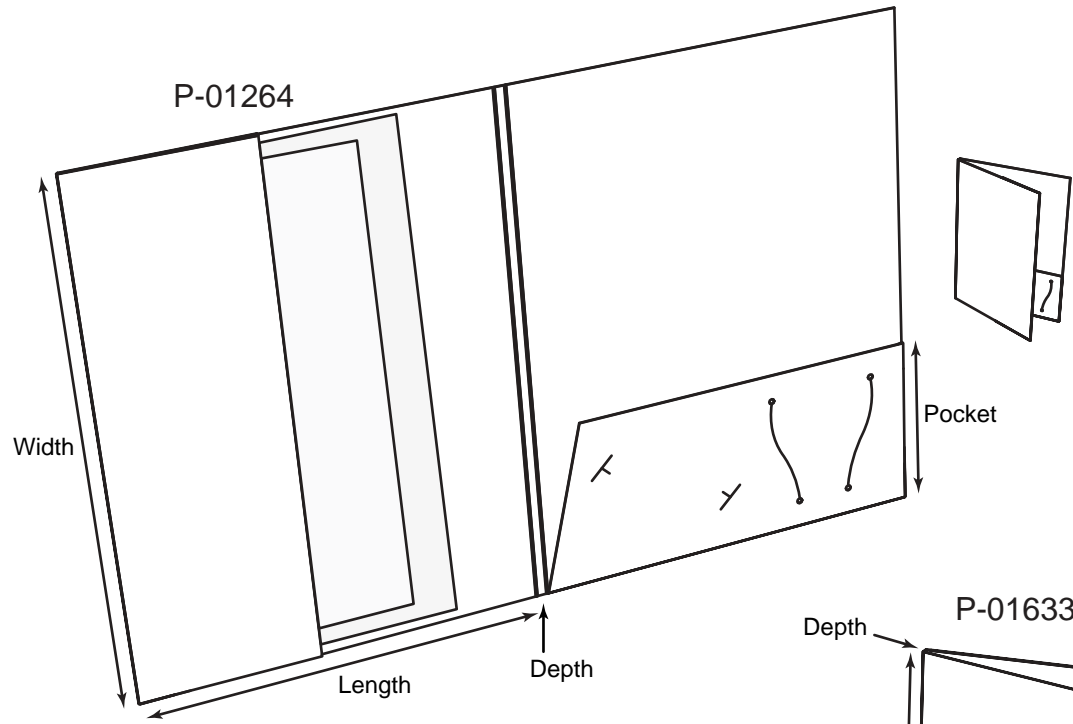


POCKET FOLDERS  
PORTFOLIOS

*Product Type:* **Pocket Folders**

*Die #*      *Length x Width x Depth*      *Description*

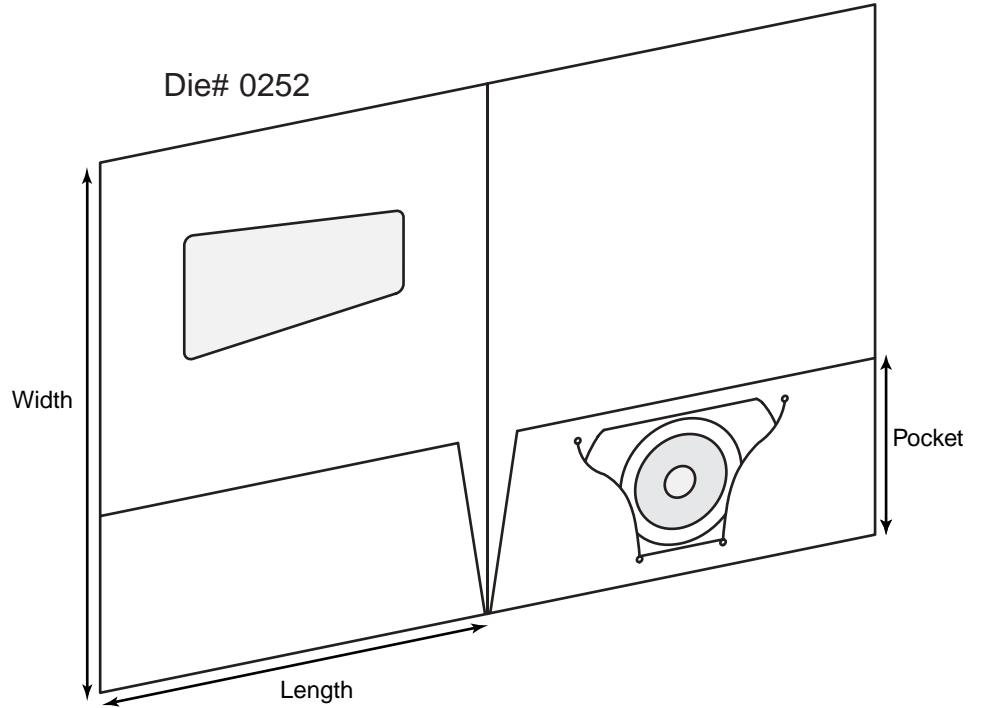
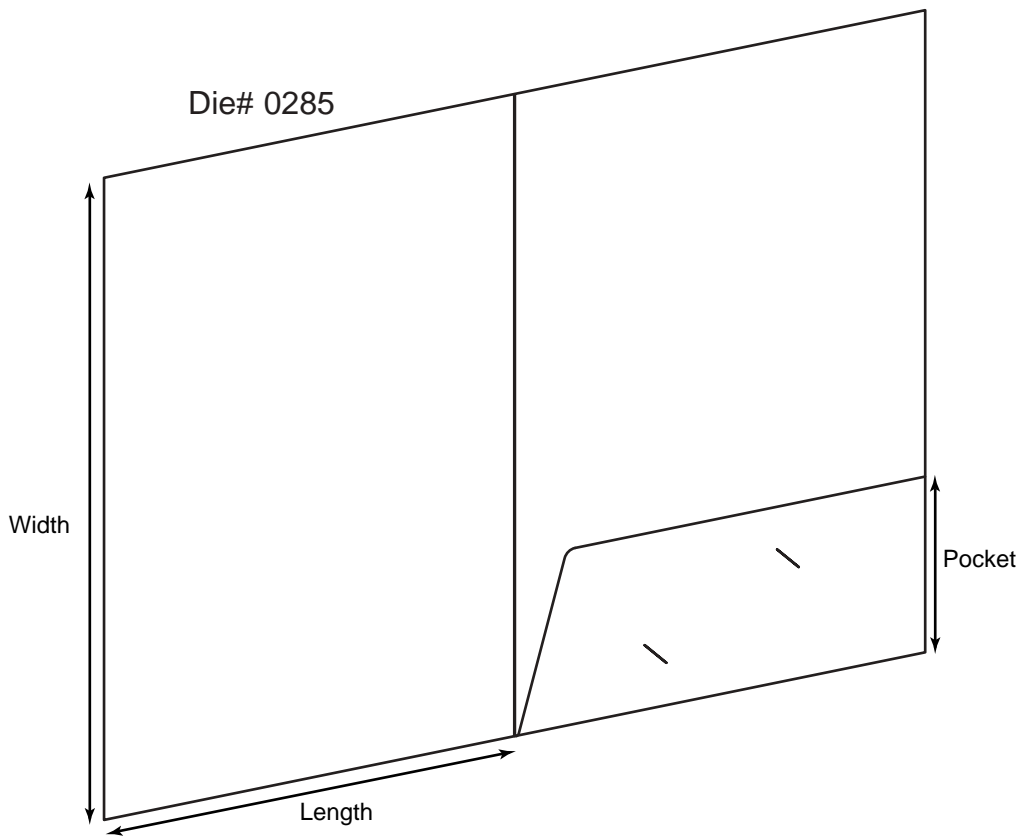
<b>P-01067</b>	9 x 12 x 1/4	4" pocket, center pocket has business card slits; B-333
<b>P-01039</b>	9-3/16 x 11-1/2 x 1/4	Two 6-13/16" vertical V-cut pockets; B-312



POCKET FOLDERS  
PORTFOLIOS

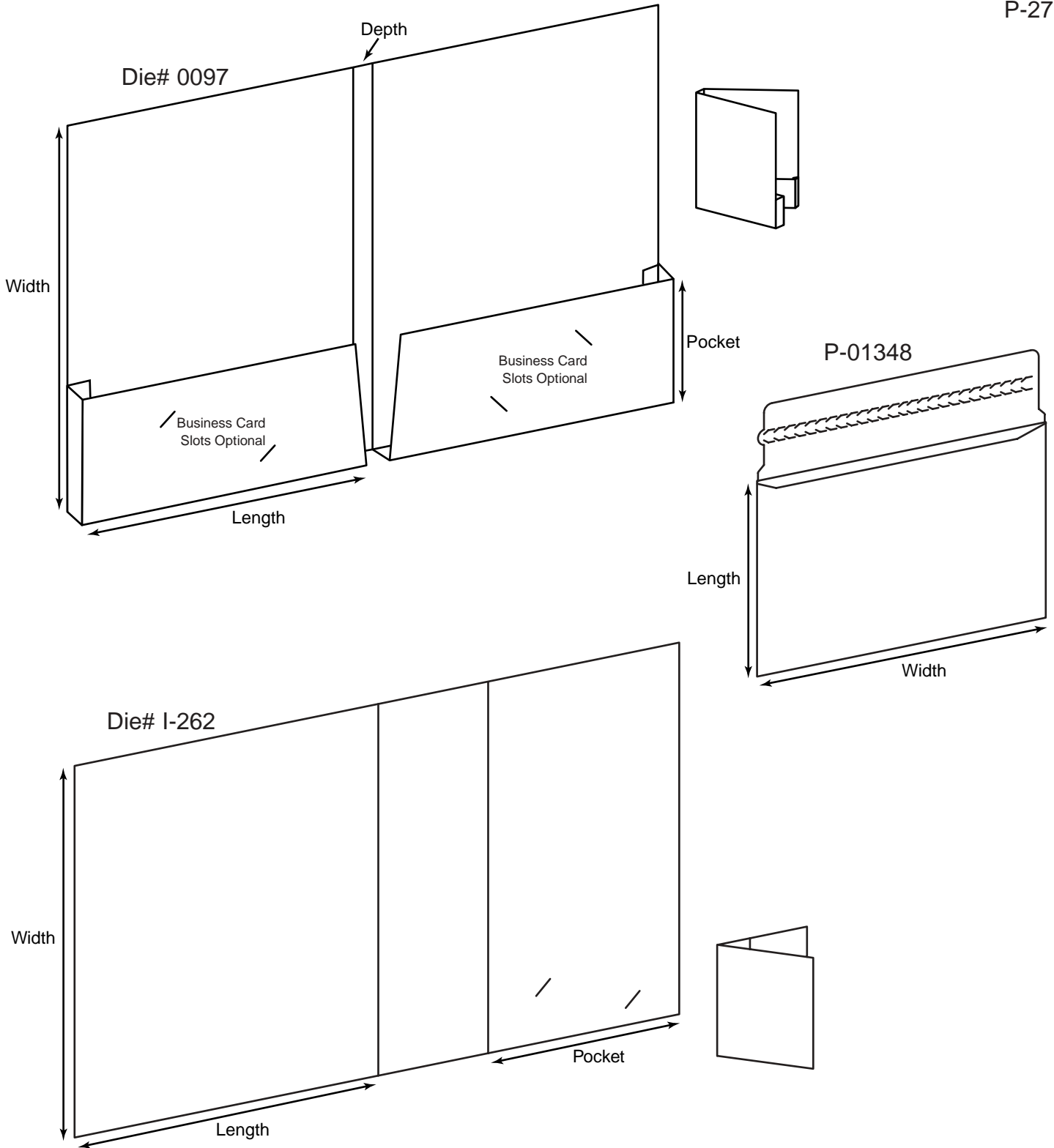
**Product Type: Pocket Folders**

Die #	Length x Width x Depth	Description
<b>P-01264</b>	9 x 12-1/16 x 1/4	Two pocket folder has a 4" pocket that holds a mini CD and business card slits; 0418
<b>P-01633</b>	5-1/2 x 8-3/4 x 3/16	3" pocket with business card slits; left pocket has a CD slit; B-568-JF
<b>0088</b>	6-5/16 x 6-3/8	3-7/8" pocket
<b>P-01425</b>	6 x 9-1/16	Zip strip mailer; B-440-JF



*Product Type:* **Pocket Folders**

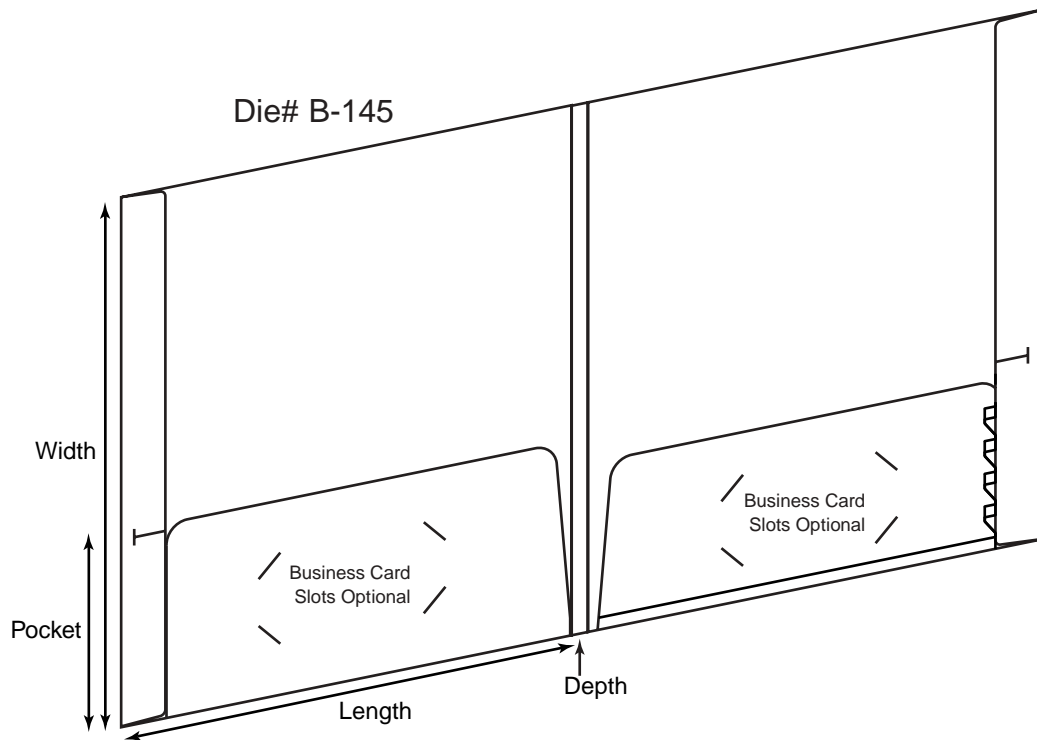
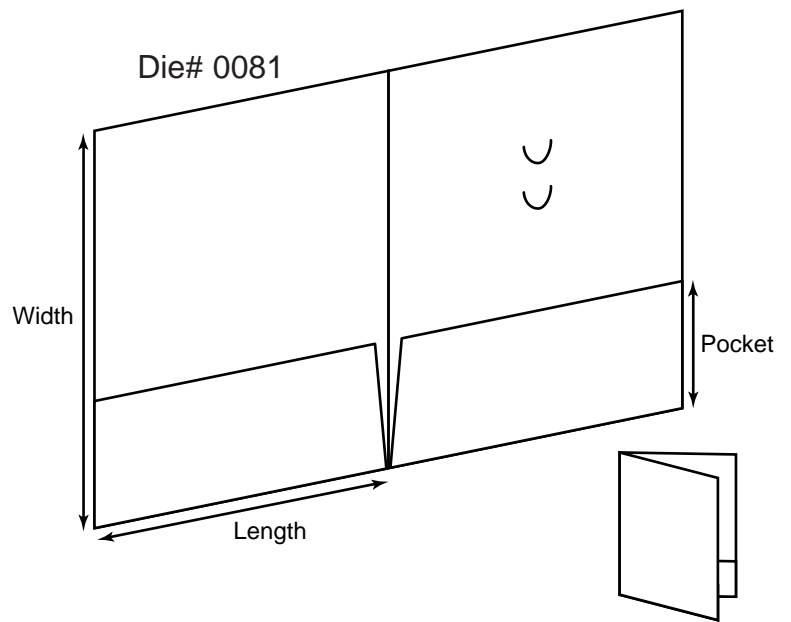
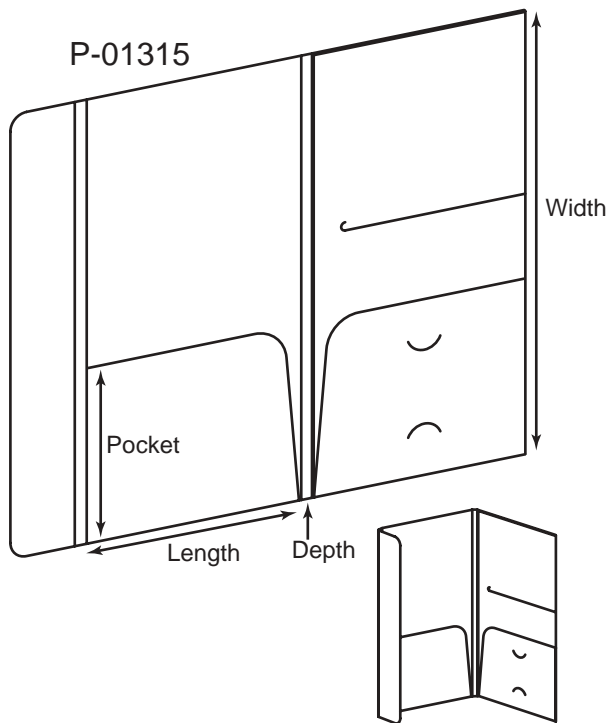
<i>Die #</i>	<i>Length x Width x Depth</i>	<i>Description</i>
<b>0285</b>	9-1/2 x 14-5/8	4" pocket with business card slit
<b>0252</b>	9 x 12	Two 4" pockets; front cover has window; CD slits on right



POCKET FOLDERS  
PORTFOLIOS

**Product Type: Pocket Folders**

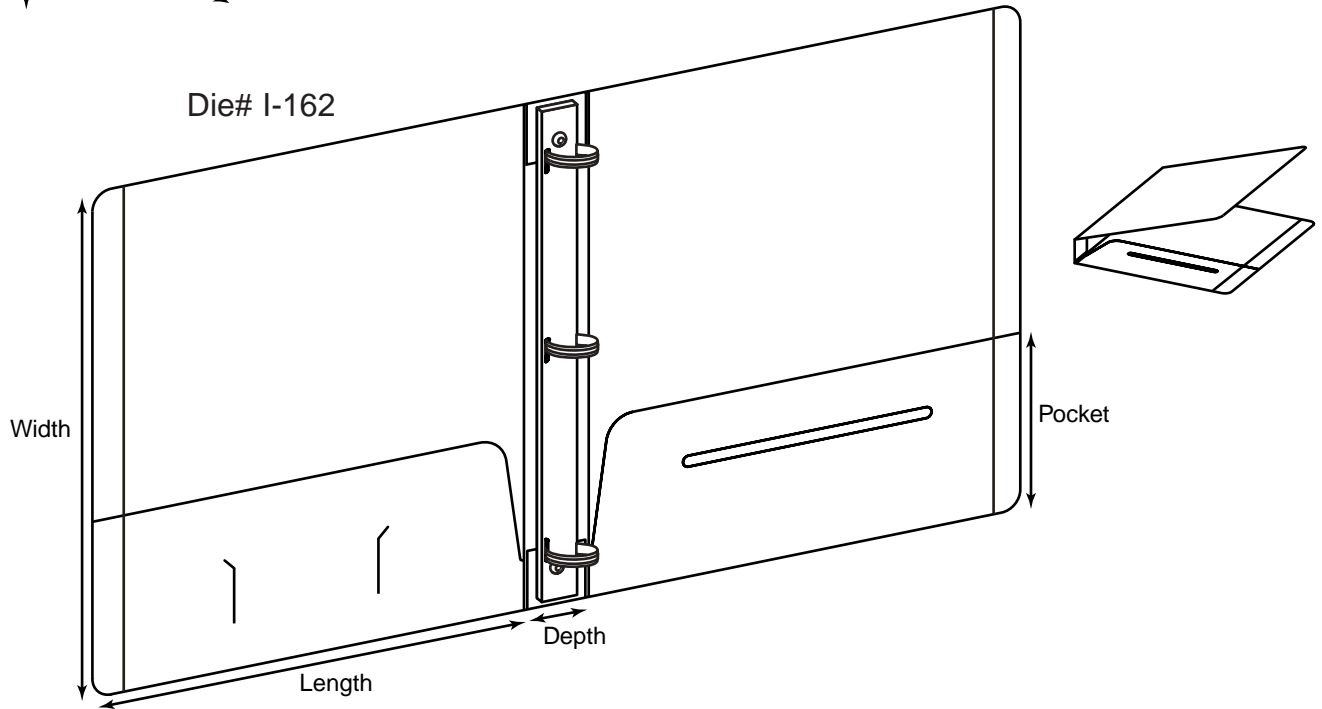
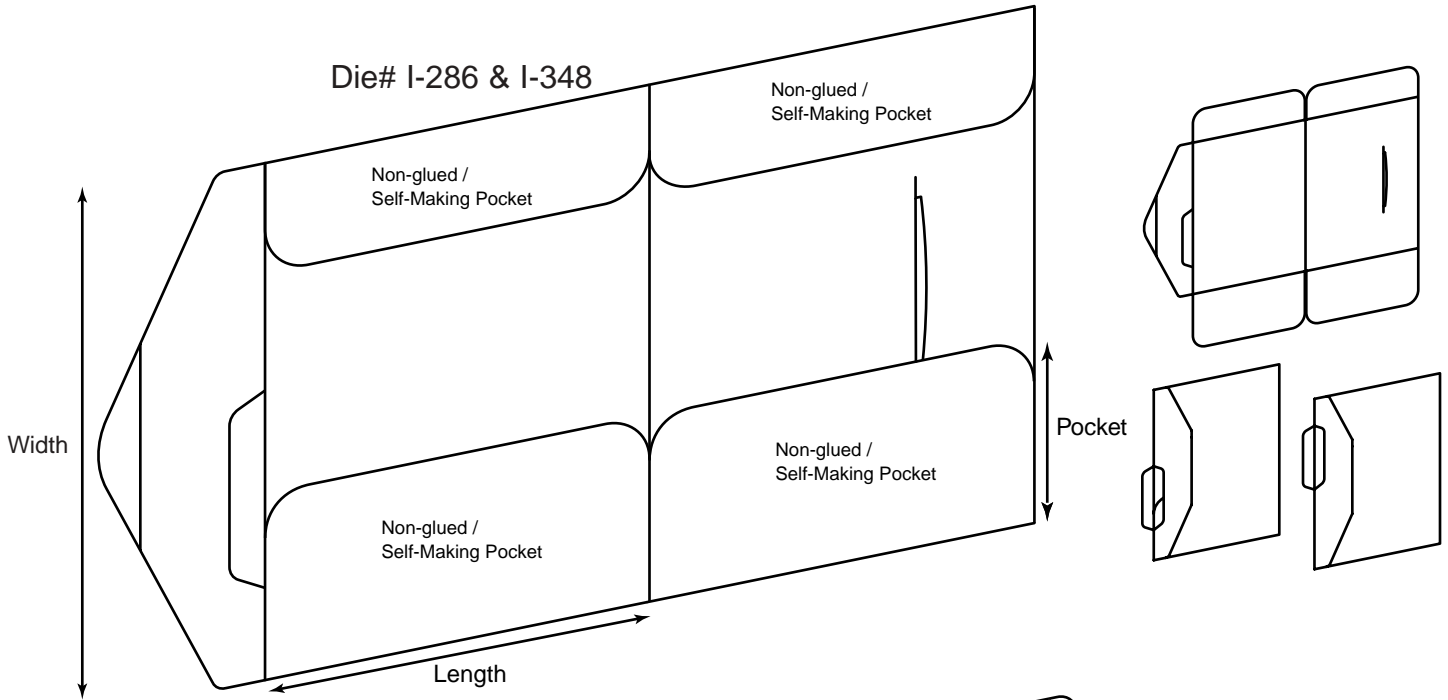
Die #	Length x Width x Depth	Description
<b>0097</b>	9 x 12 x 1/2	Two 4-1/2" pockets have 1/4" capacity with removable business card slits
<b>P-01348</b>	6 x 9-1/16	Zip strip mailer; B-129-JF
<b>I-262</b>	9-1/2 x 11-1/2	6" pocket with business card slit



POCKET FOLDERS  
PORTFOLIOS

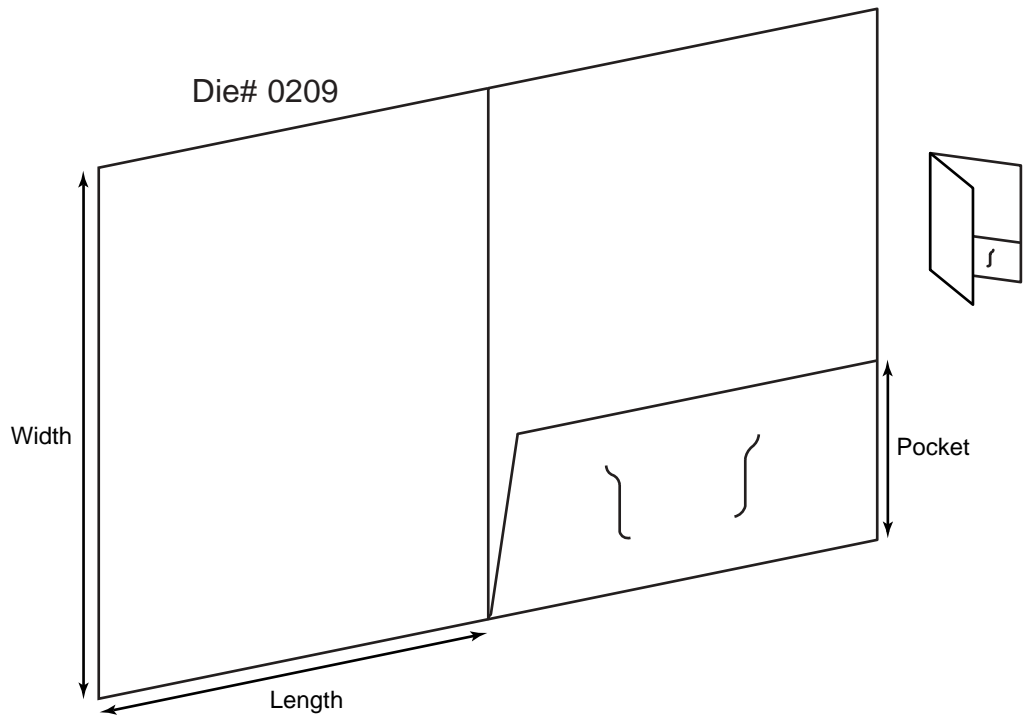
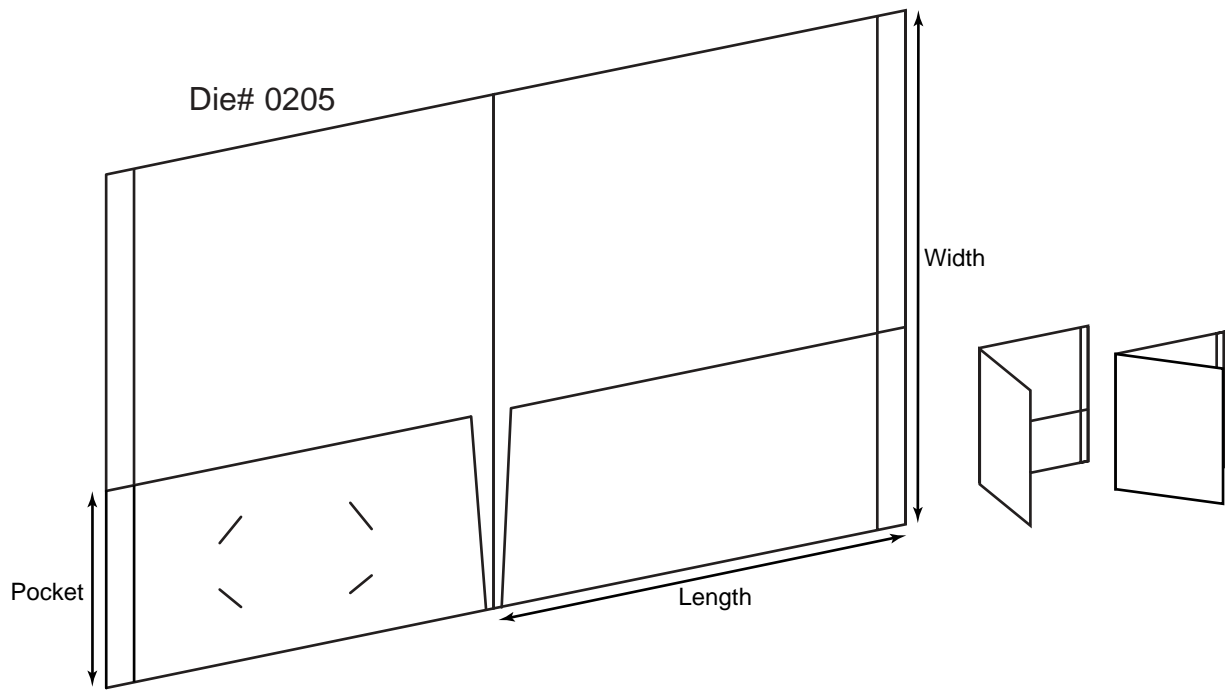
**Product Type: Pocket Folders**

Die #	Length x Width x Depth	Description
<b>P-01315</b>	5 x 10-1/8 x 1/4	Two 4" pockets; right has business card slit and a slit for literature; 0429
<b>0081</b>	6-3/8 x 9	Two 2-5/8" pockets; two 7/16" tabs at right
<b>B-145</b>	10-7/16 x 12 x 3/8	Two 4-1/4" pockets; right pocket has 3/8" capacity; removable business card slits; reinforced edges



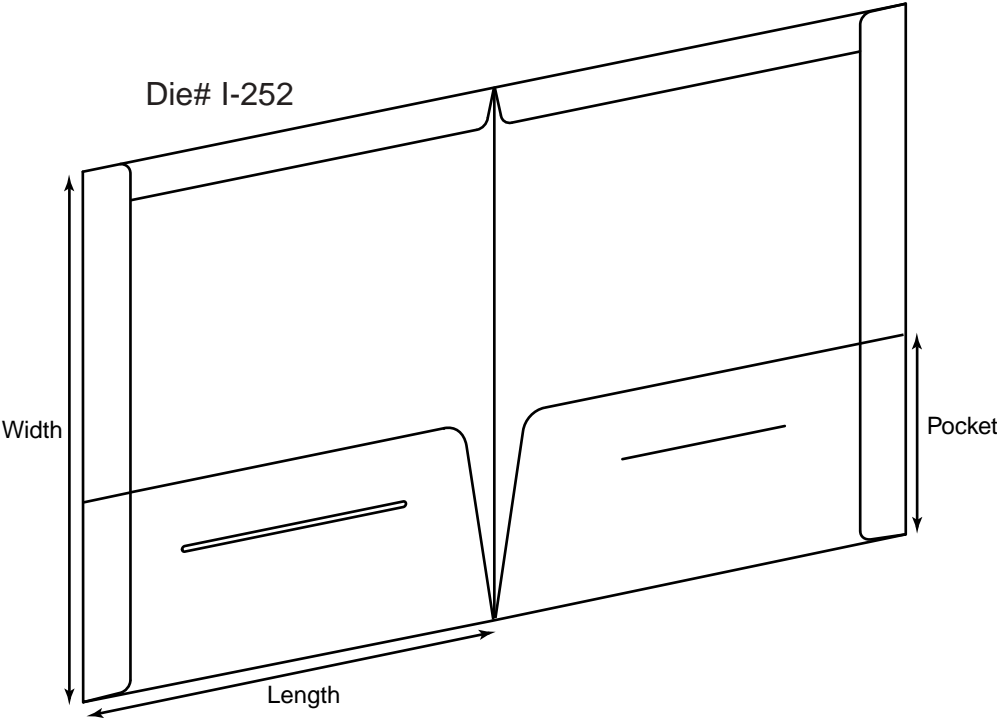
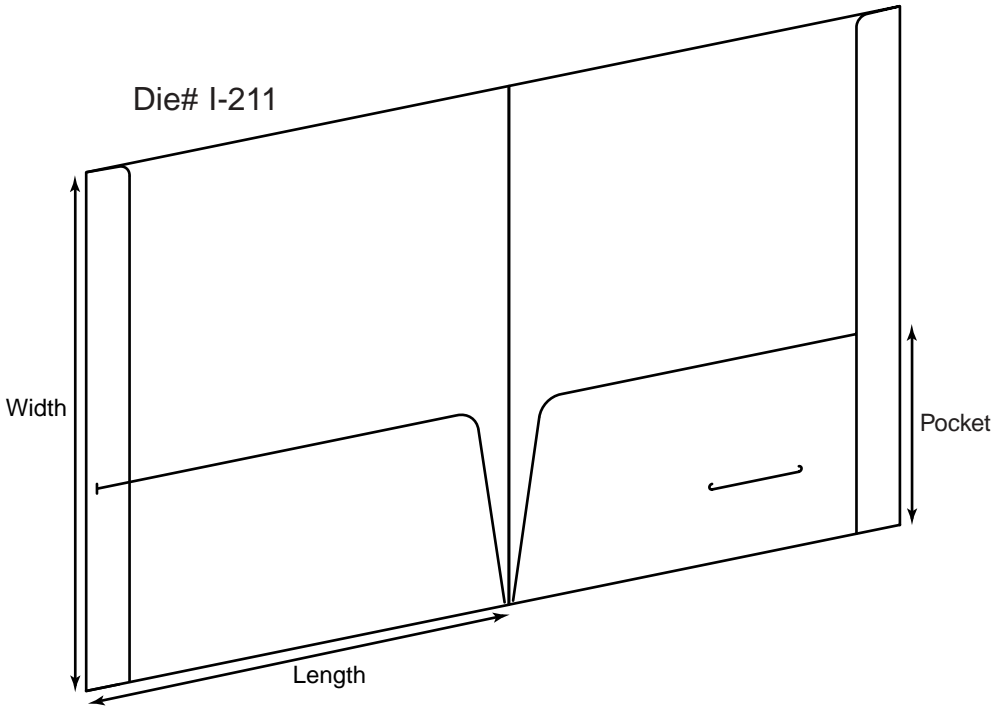
**Product Type: Pocket Folders**

Die #	Length x Width x Depth	Description
<b>I-286</b>	8-15/16 x 11-3/4	Four non-glued pockets at 2-1/2" and 4-1/4" fold in, to hold contents; with wrap around tuck flap and perforated flip up tab for filing; Same As I-348 (has different filing tab location)
<b>I-348</b>	8-15/16 x 11-3/4	Four non-glued pockets at 2-1/2" and 4-1/4" fold in, to hold contents; with wrap around tuck flap and perforated flip up tab for filing; Same As I-286 (has different filing tab location)
<b>I-162</b>	10 x 11-1/2 x 1-1/2	Two 4-1/2" pockets; business card slit and literature slot; reinforced side edges; 1" 3-ring plastic mechanism



*Product Type:* **Pocket Folders**

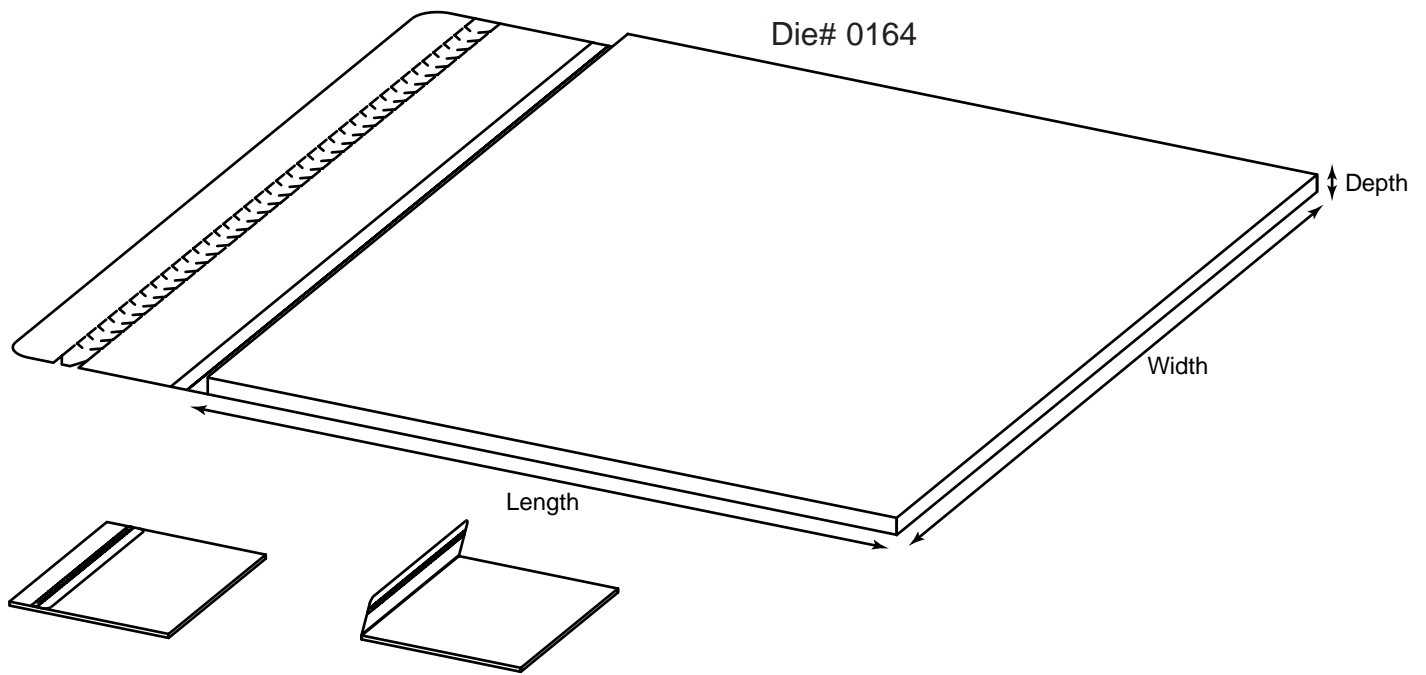
<i>Die #</i>	<i>Length x Width x Depth</i>	<i>Description</i>
<b>0205</b>	9-5/8 x 11-3/4	Two 4-1/2" pockets with business card slits on left pocket
<b>0209</b>	9 x 12	4" pocket with business card slit



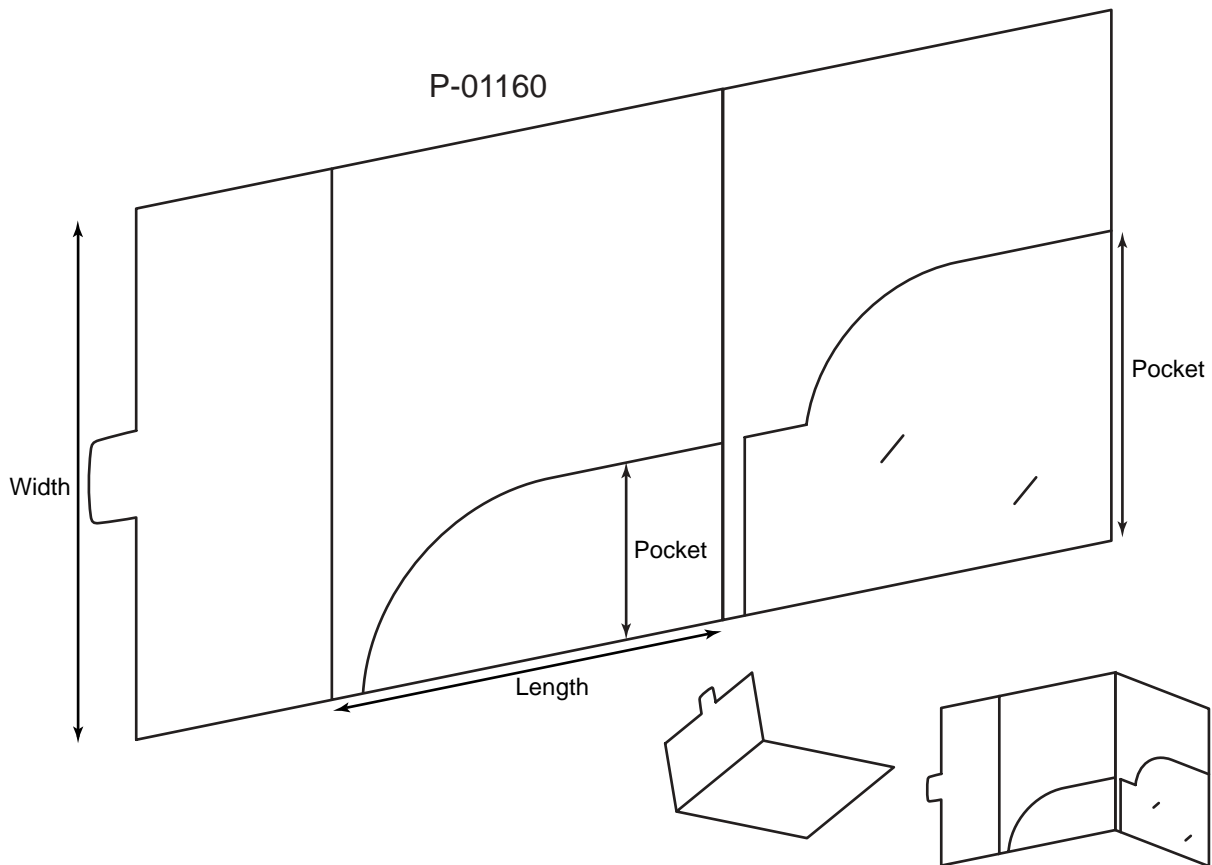
POCKET FOLDERS  
PORTFOLIOS

Product Type: **Pocket Folders**

Die #	Length x Width x Depth	Description
I-211	9-3/4 x 11-3/4	Two 4-1/2" pockets; reinforced side edges
I-252	9-1/2 x 12	Two 4-1/2" pockets and slot for CD and slit for brochure; reinforced top and side edges

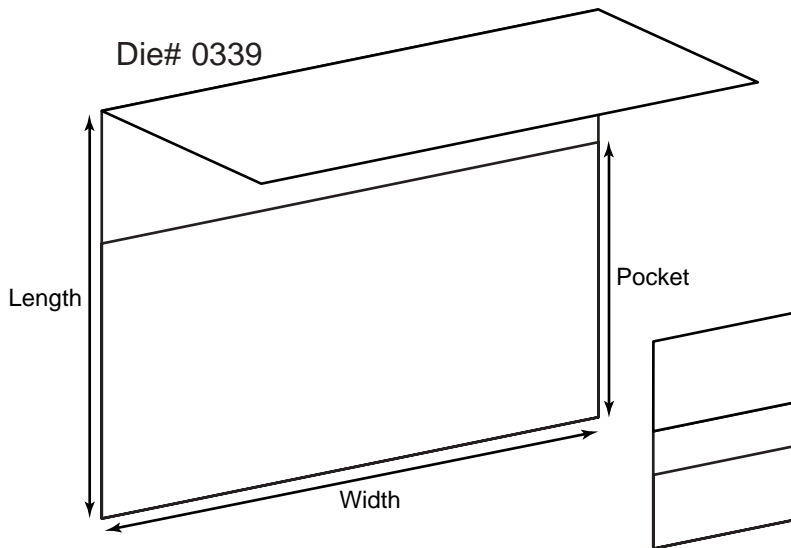
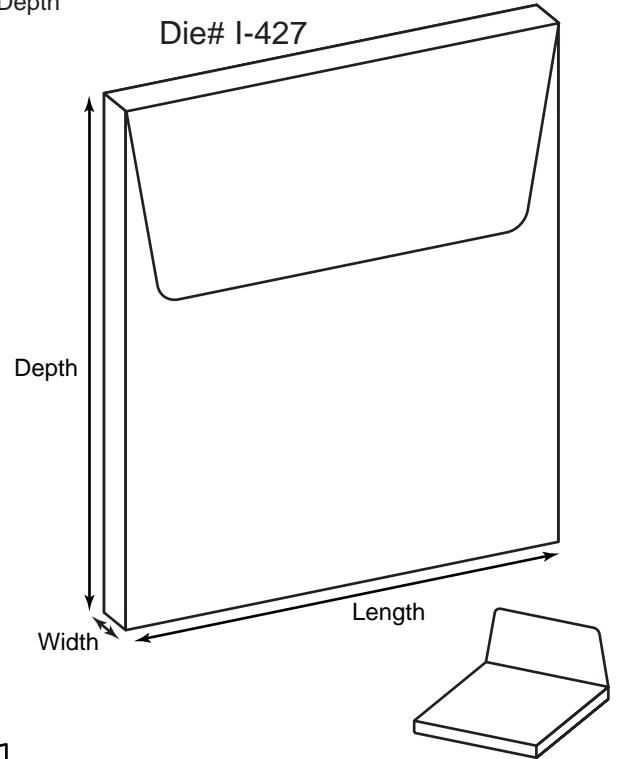
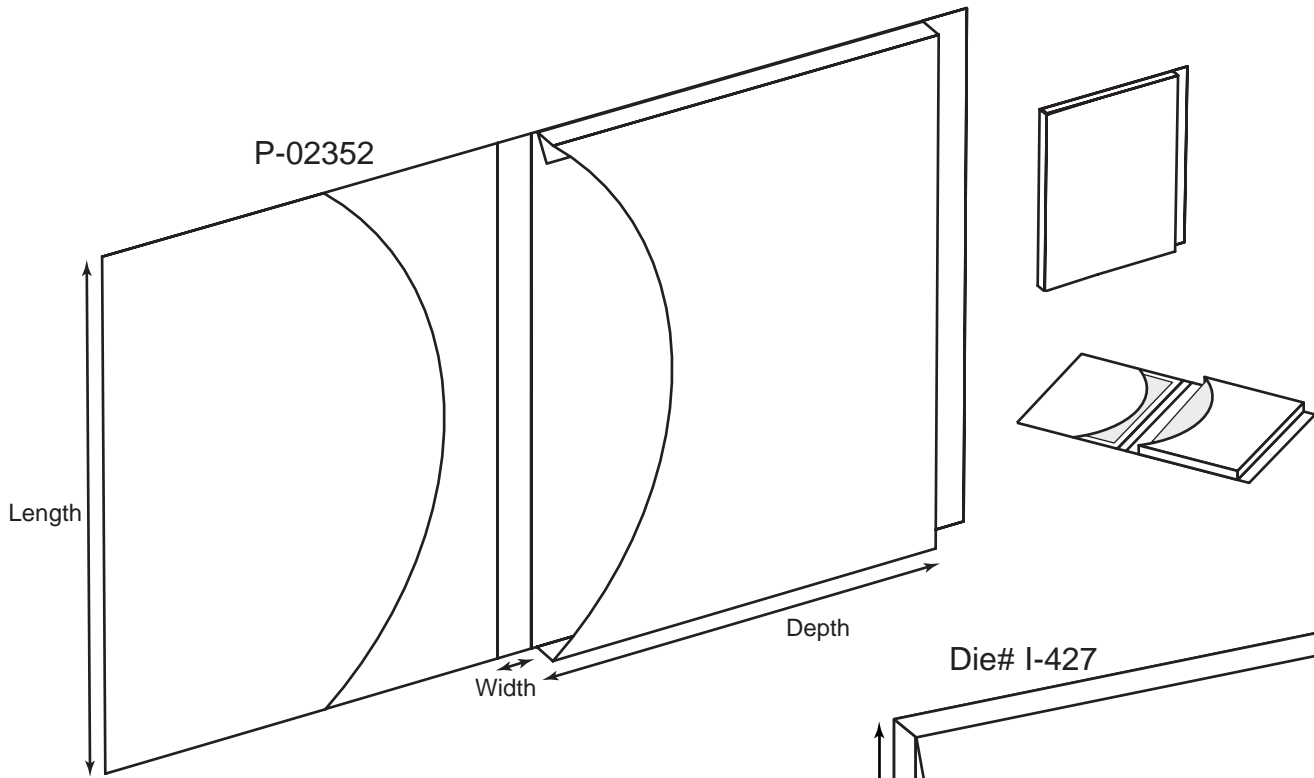


**POCKET FOLDERS  
PORTFOLIOS**



*Product Type:* **Pocket Folders**

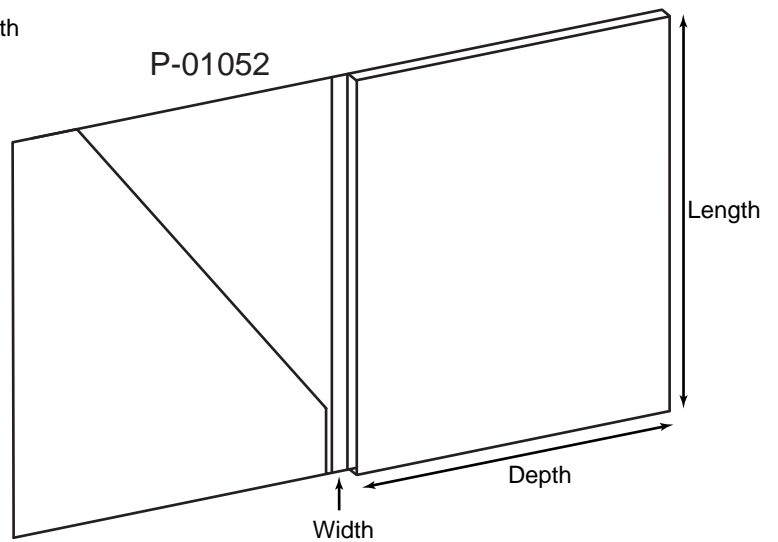
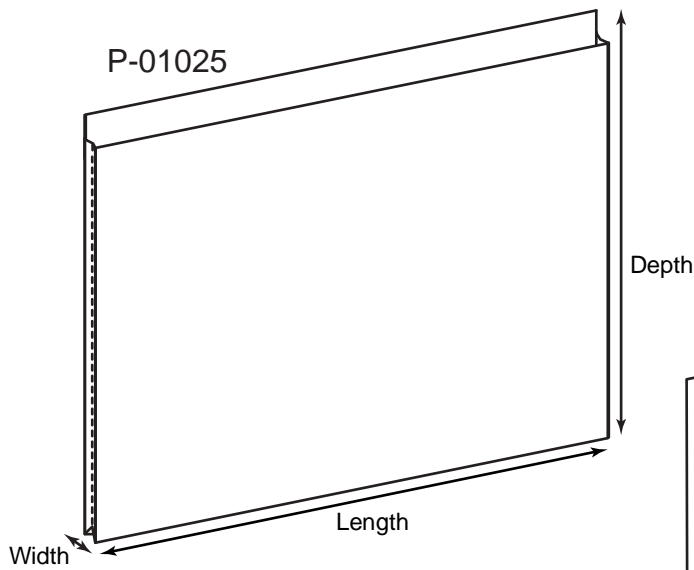
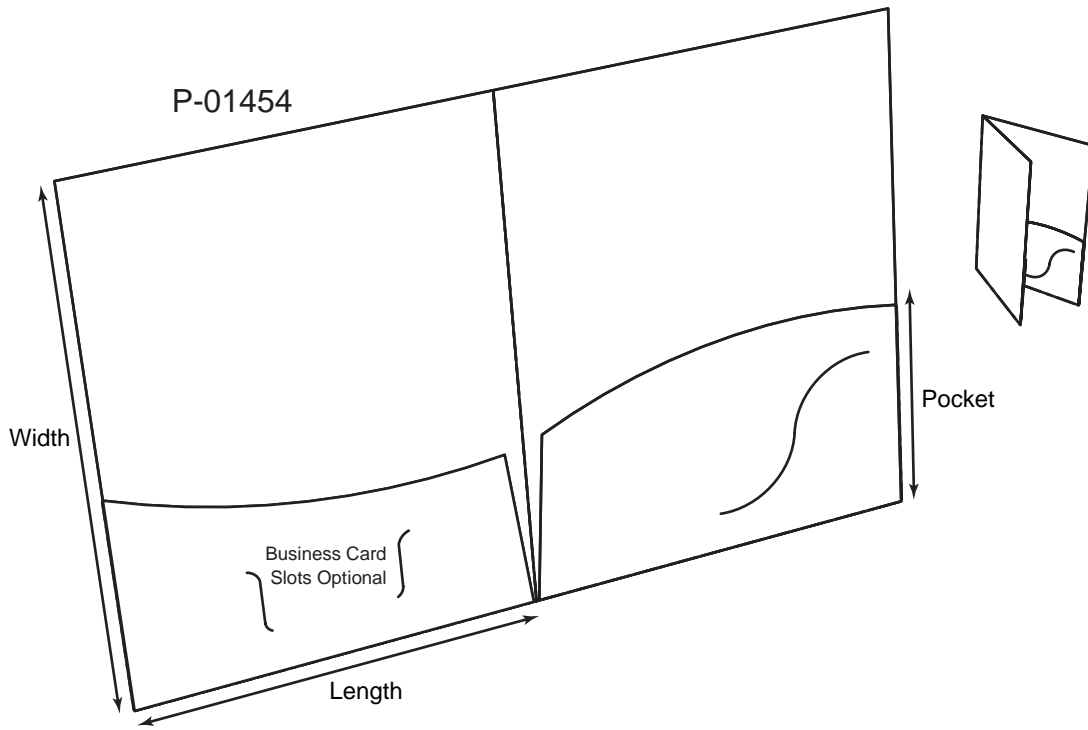
Die #	Length x Width x Depth	Description
<b>0164</b>	10-1/4 x 12-1/2 x 1/4	Zip strip mailer/pocket folder with 1/4" capacity
<b>P-01160</b>	9 x 12	4" and 7" pockets with business card slit on right; B-033



POCKET FOLDERS  
PORTFOLIOS

**Product Type: Pocket Folders**

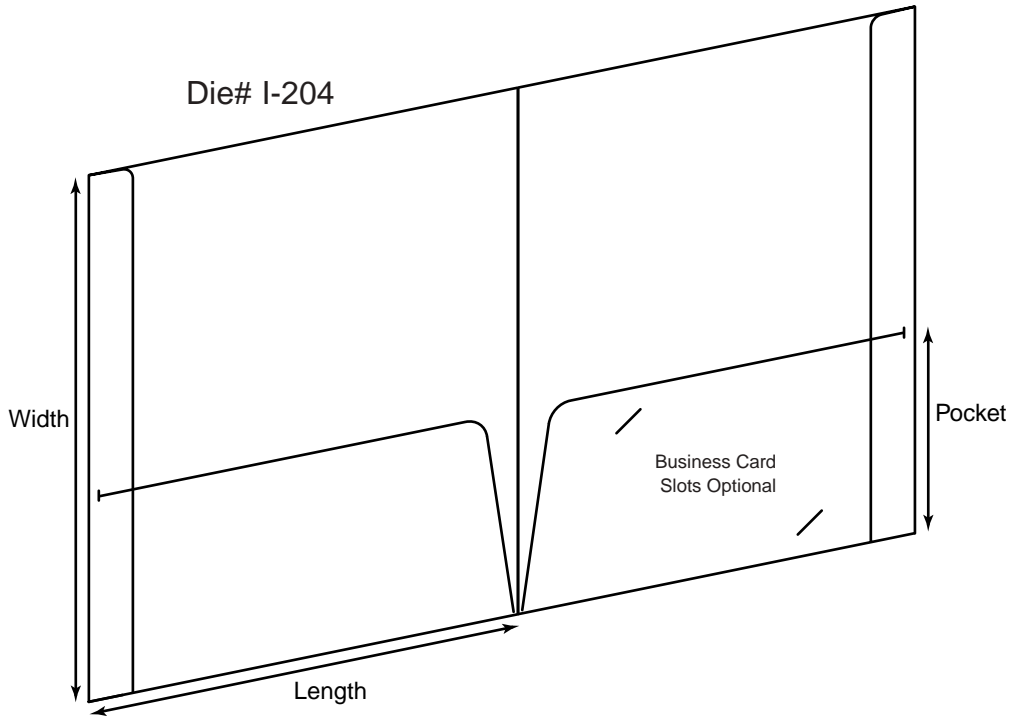
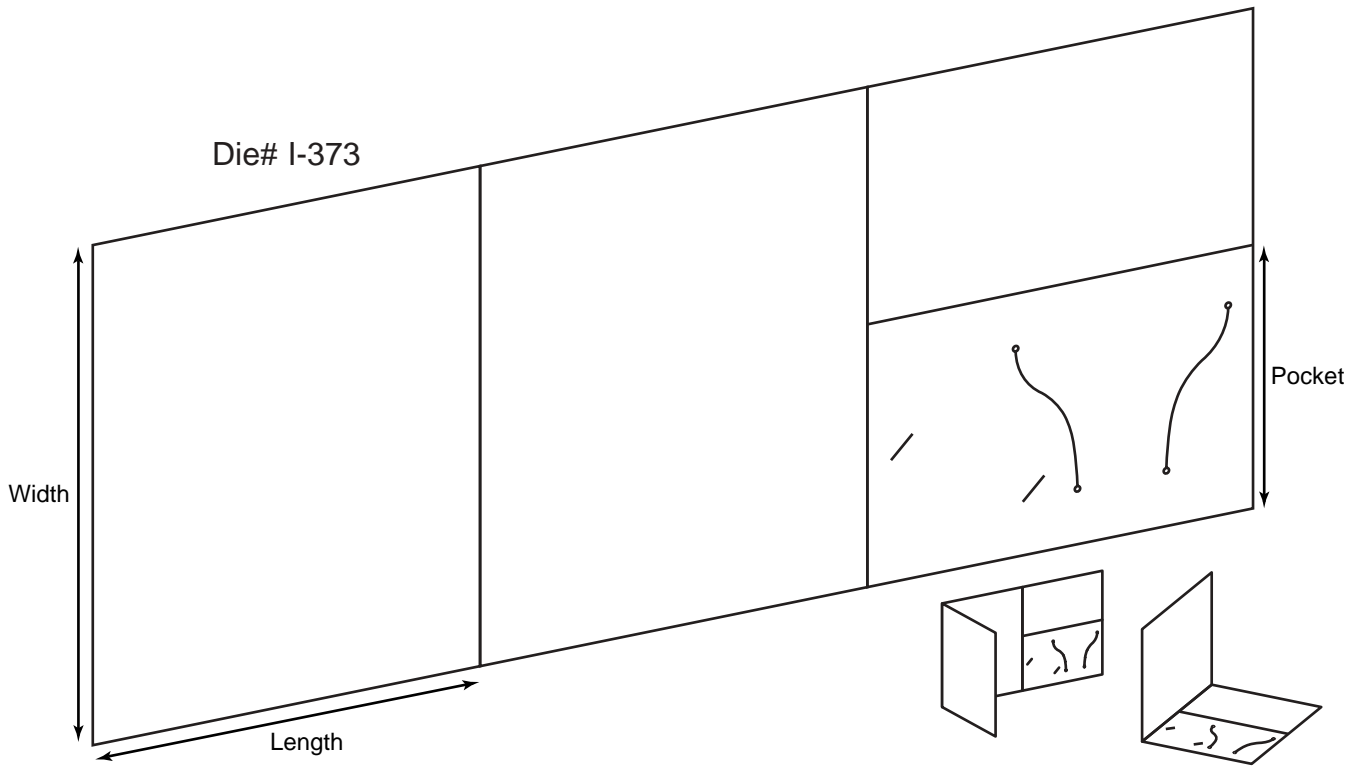
Die #	Length x Width x Depth	Description
<b>P-02352</b>	11-1/2 x 3/4 x 8-3/4	5/8" capacity pocket inside with 1" tab - Infopak; I-341
<b>I-427</b>	10 x 1 x 11-3/4	1" capacity portfolio with tuck bottom
<b>0339</b>	9-1/4 x 11-1/2	6-1/4" pocket



*Product Type:* **Pocket Folders**

*Die #      Length x Width x Depth      Description*

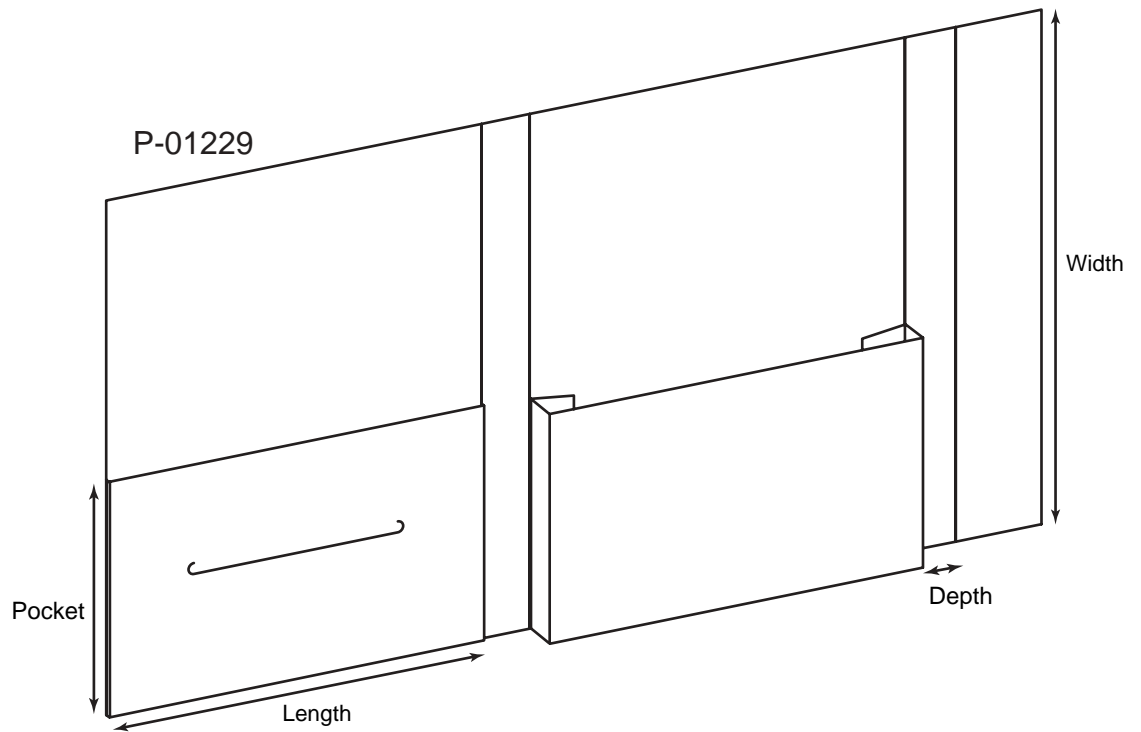
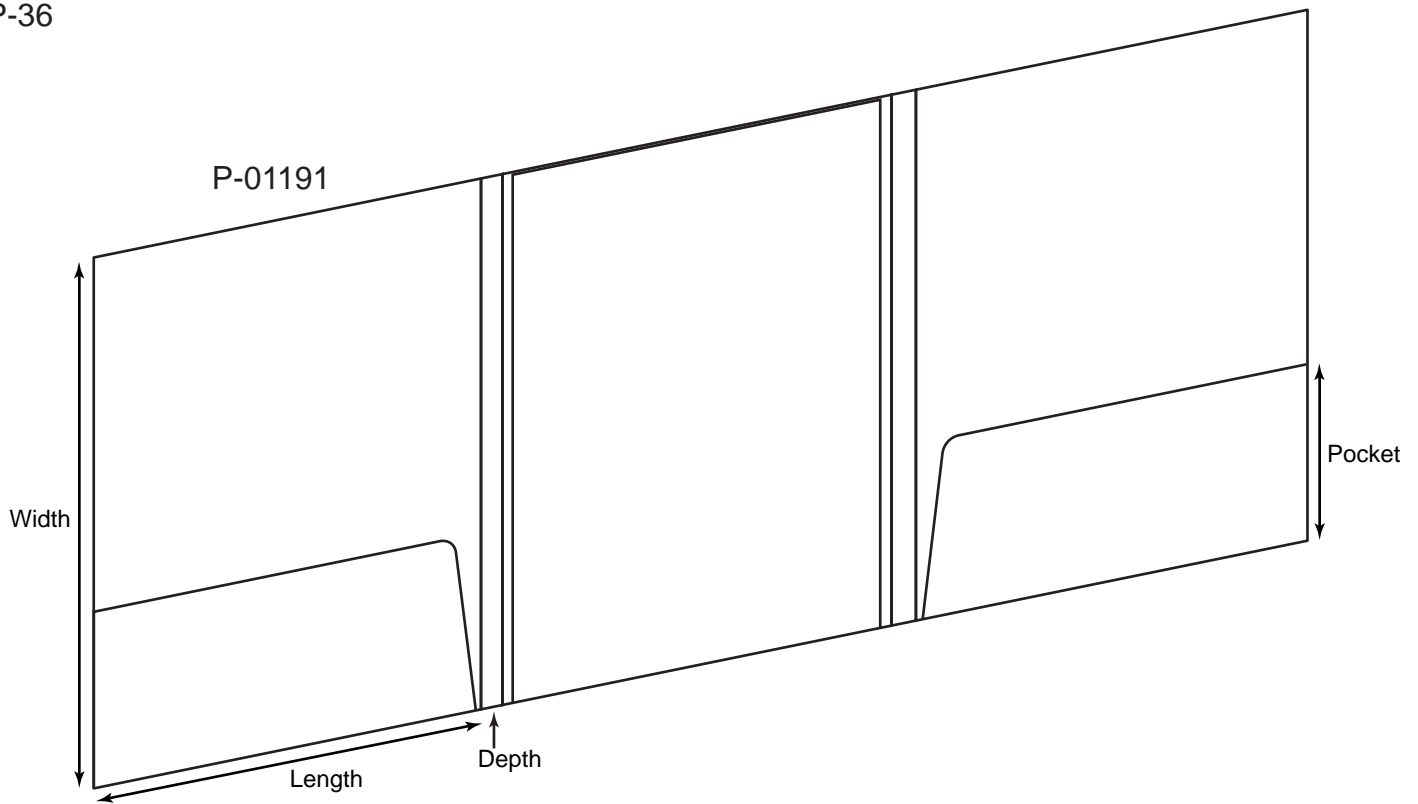
<i>Die #</i>	<i>Length x Width x Depth</i>	<i>Description</i>
<b>P-01454</b>	9 x 12	5" pockets, removable business card (BC-4) block and S-curve slit for CD; 0481
<b>P-01025</b>	12 x 1/2 x 9-1/2	None File folder with 1" header; capacity expands to 1/2"; B-291-JF
<b>P-01052</b>	9 x 3/8 x 7-3/8	3/8" capacity pocket and slanted panel non-capacity pocket; B-321-JF



POCKET FOLDERS  
PORTFOLIOS

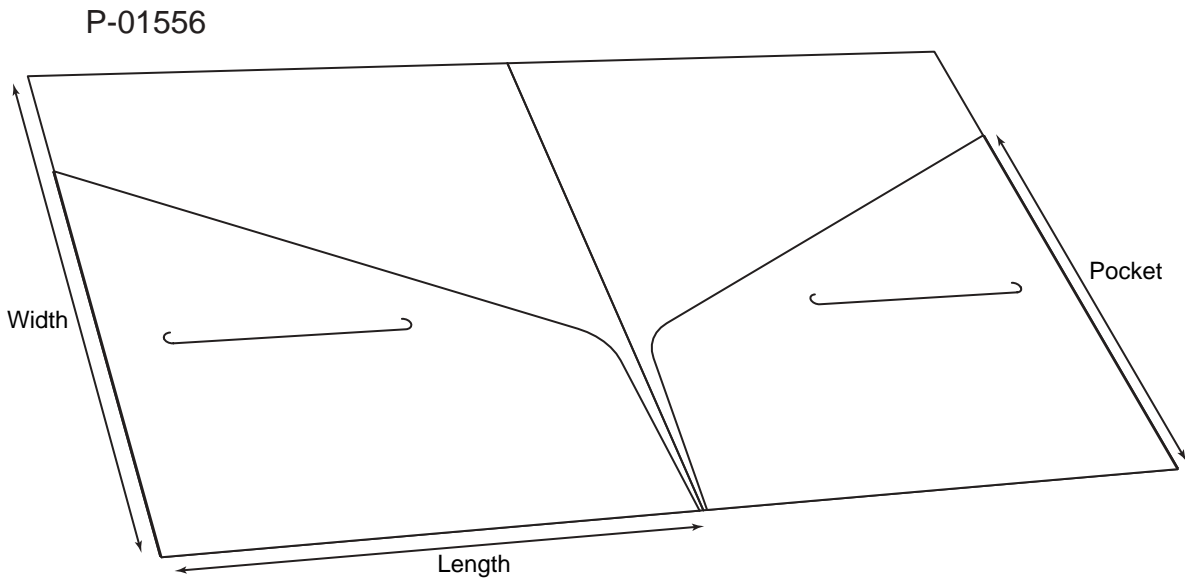
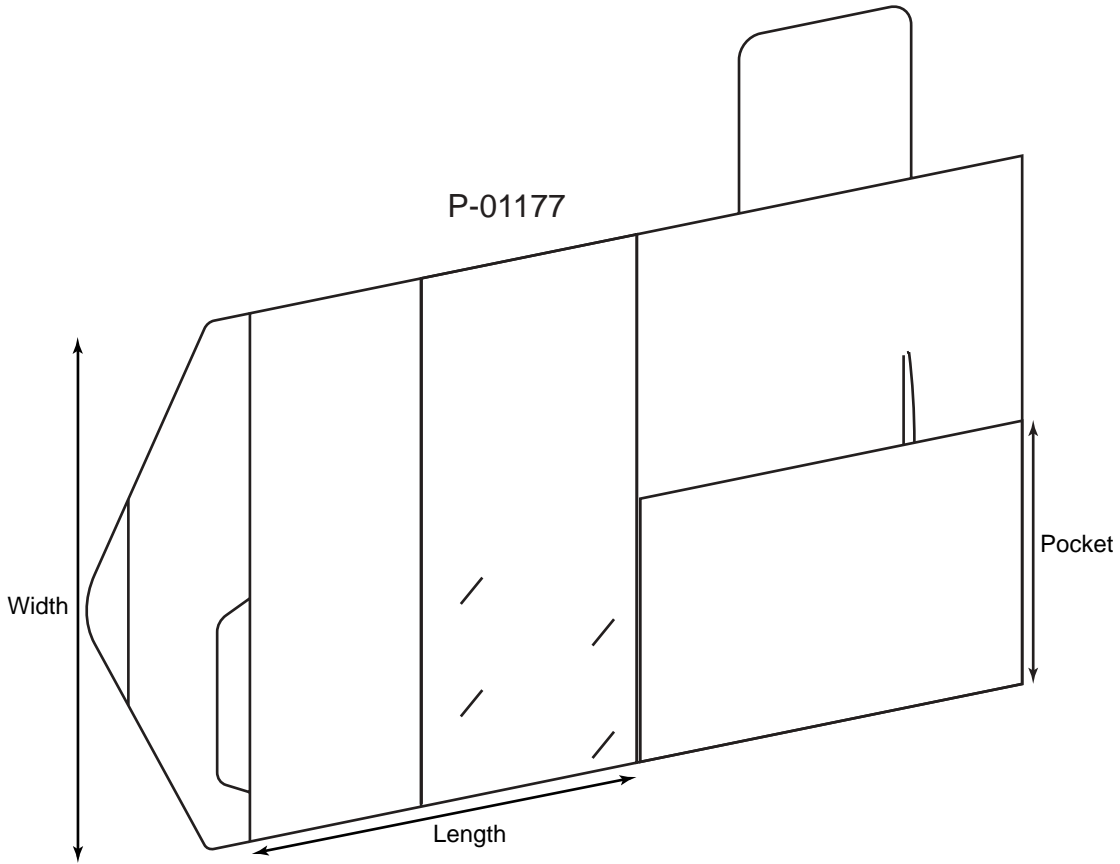
Product Type: **Pocket Folders**

Die #	Length x Width x Depth	Description
<b>I-373</b>	9 x 11-3/8	6" pocket; S-curve slit for 1 CD
<b>I-204</b>	9 x 12	Two 4" pockets; removable business card slit on right pocket; reinforced edges



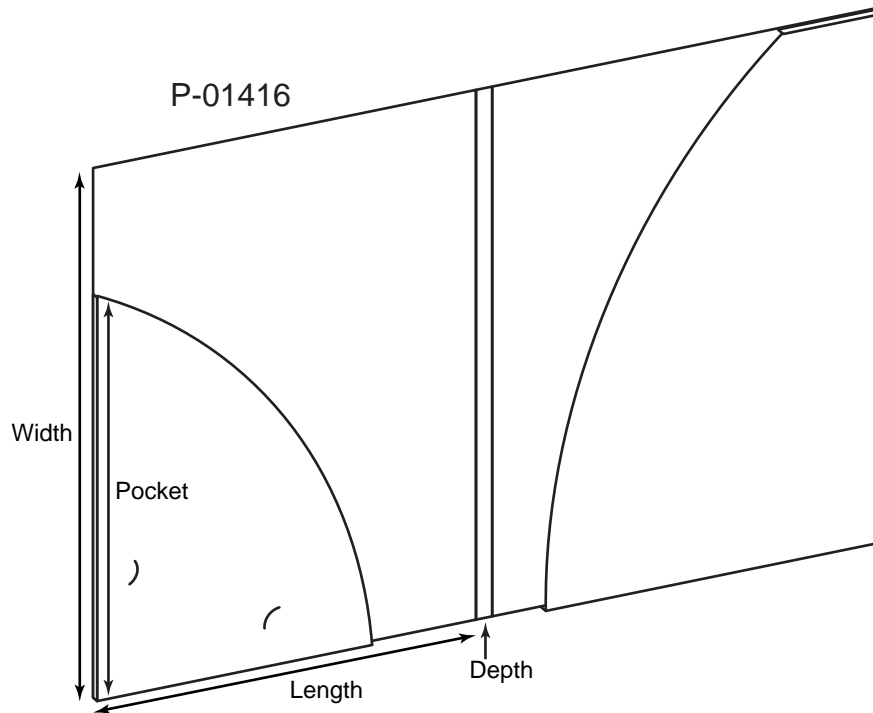
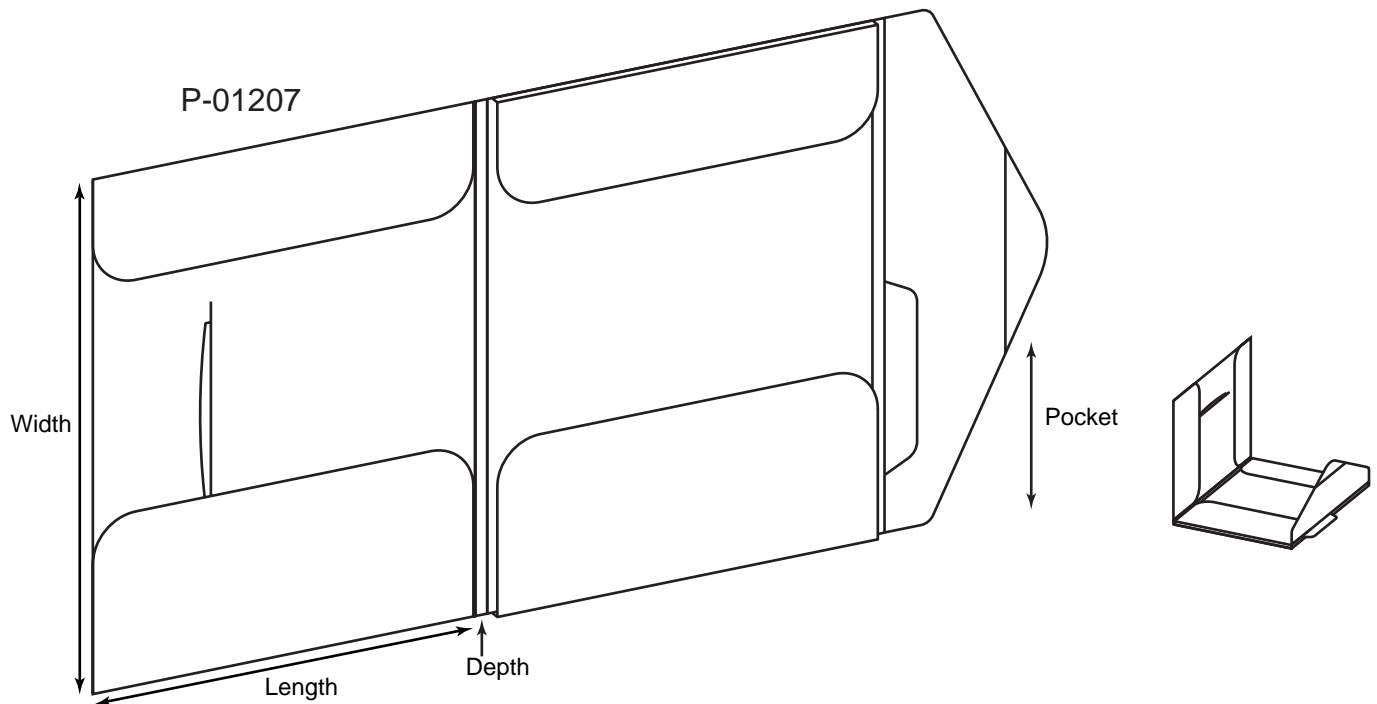
*Product Type:* **Pocket Folders and Mailer**

Die #	Length x Width x Depth	Description
<b>P-01191</b>	9 x 12 x 9/16	Two 4" pockets; holds spiral bound book in center panel; B-065, B-234-(which includes Load'nLoc)
<b>P-01229</b>	8-3/4 x 11-3/4 x 1-3/16	5-1/4" pocket has 7/8" capacity; 5-1/4" left pocket has 1/8" capacity; B-379



*Product Type:* **Pocket Folders**

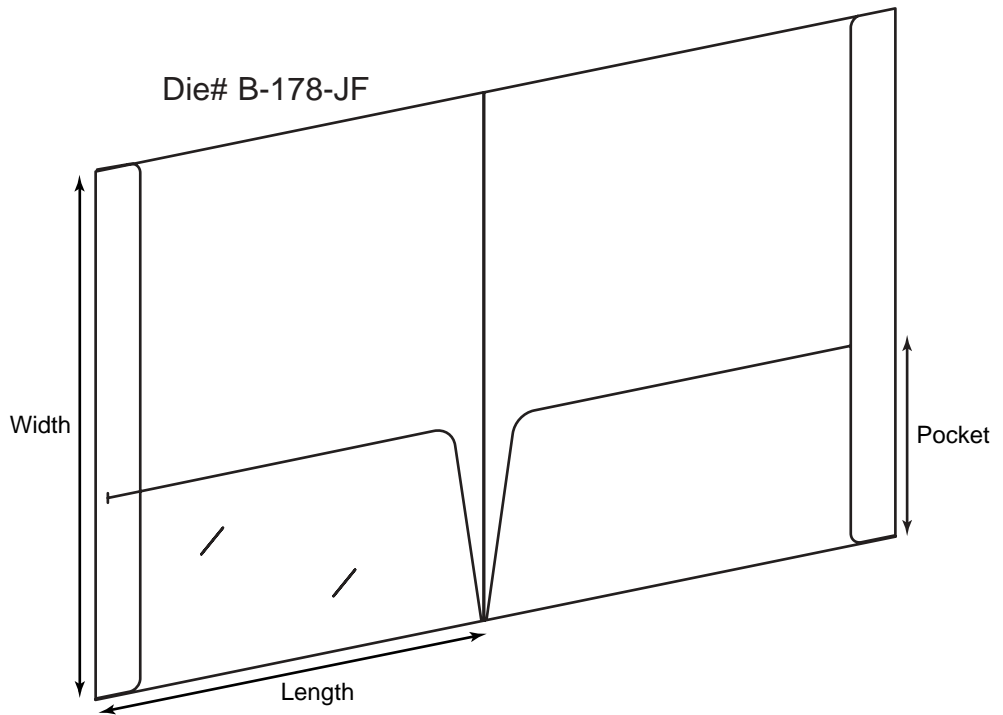
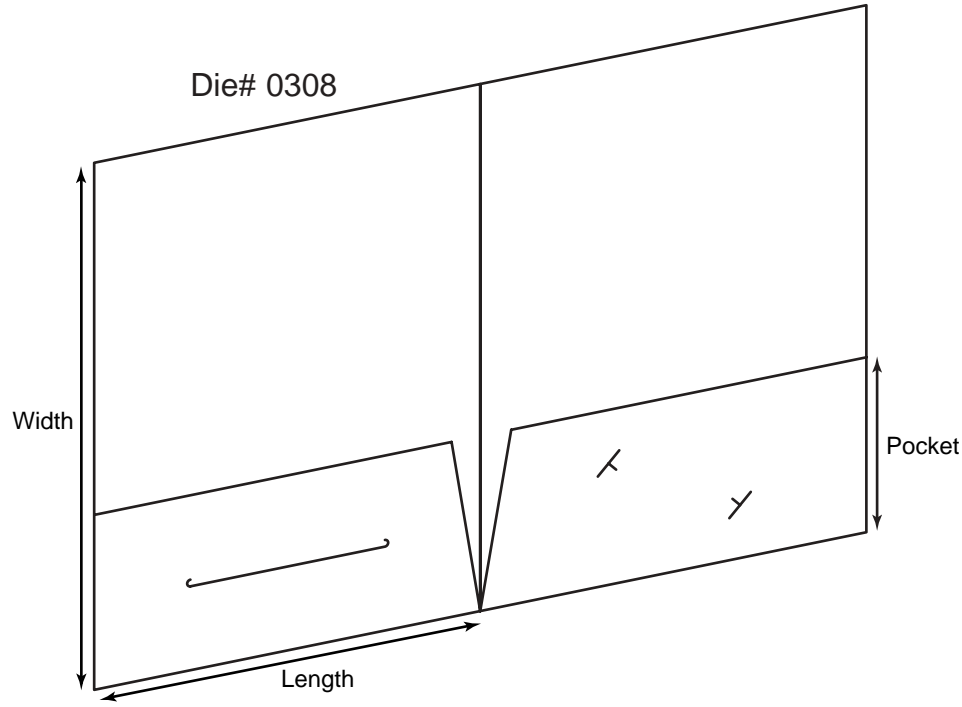
<i>Die #</i>	<i>Length x Width x Depth</i>	<i>Description</i>
<b>P-01177</b>	9 x 12	Presentation folder with 6" pocket and perforated tab; B-052
<b>P-01556</b>	8-3/4 x 11-1/4	Pocket folder with two 8-3/4" pockets with brochure slits on each side; B-522



POCKET FOLDERS  
PORTFOLIOS

**Product Type: Pocket Folders and Portfolios**

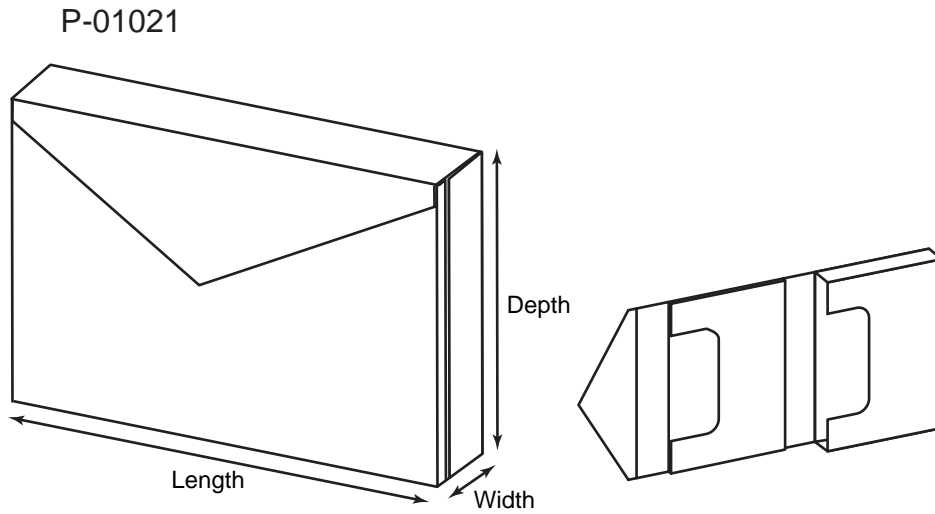
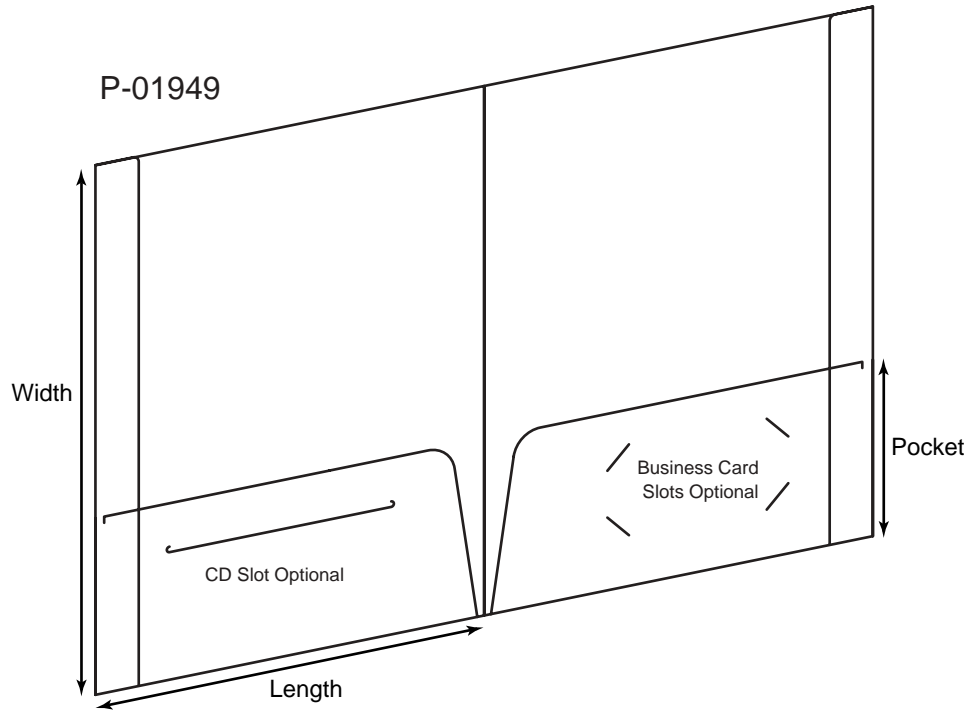
Die #	Length x Width x Depth	Description
<b>P-01207</b>	8-15/16 x 11-3/4 x 5/16	2-1/2" and 3-15/16" pockets; right side has 1/2" capacity; pop-up envelop stuffing tear out; B-082-JF
<b>P-01416</b>	12 x 8-7/8 x 3/8	Two curved pockets, 9-3/16" pocket left has 3/16" capacity and business card slit; 1/4" capacity on right; 0259



POCKET FOLDERS  
PORTFOLIOS

*Product Type:* **Pocket Folders**

<i>Die #</i>	<i>Length x Width x Depth</i>	<i>Description</i>
<b>0308</b>	9 x 12	Two 4" pockets with business card and CD slit
<b>B-178-JF</b>	9-1/2 x 12	Two 4-1/2" pockets with business card slit on left pocket



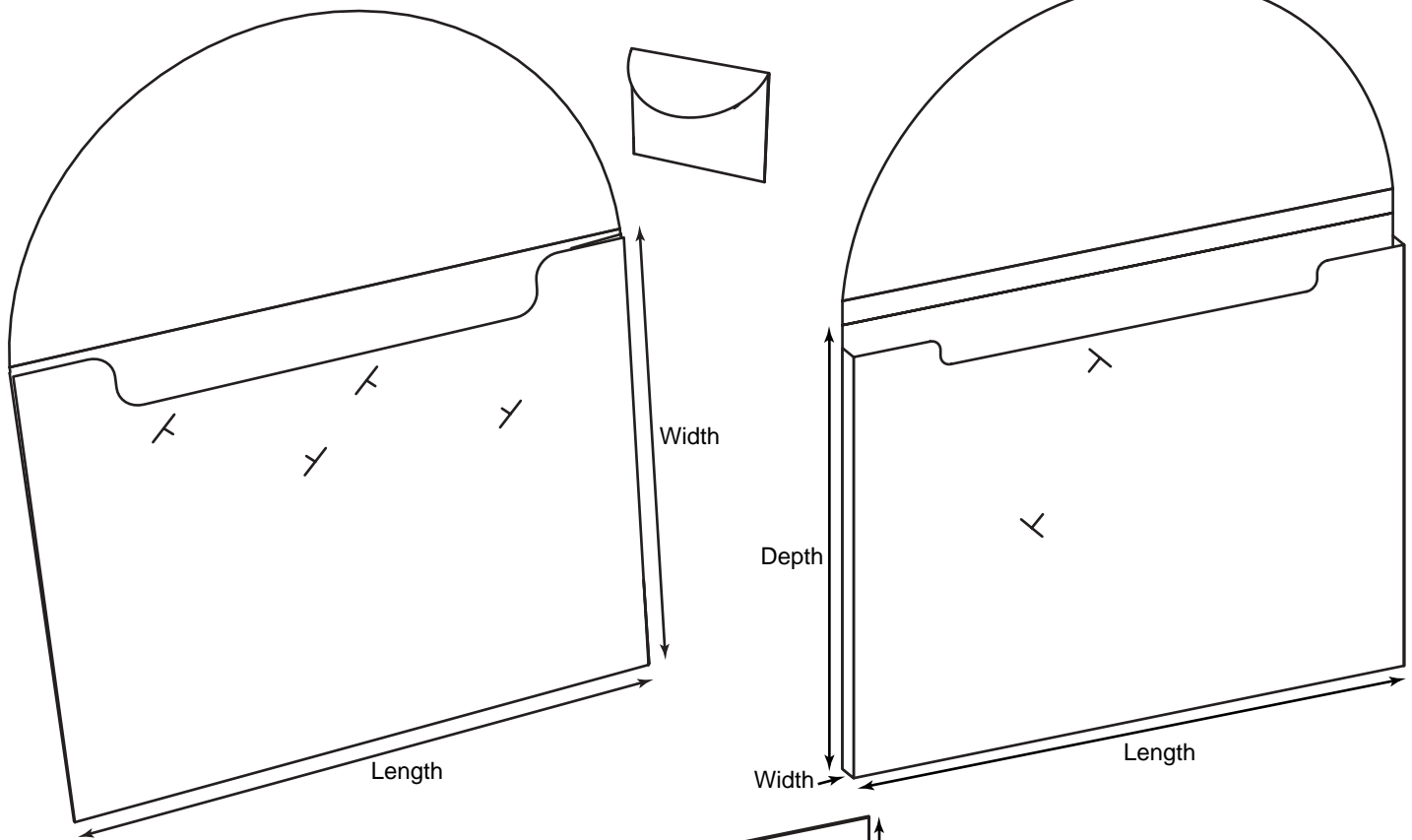
*Product Type:* **Pocket Folders**

Die #	Length x Width x Depth	Description
<b>P-01949</b>	9 x 12	Two 4" pockets with removable business card slits and CD slit; B-271-JF
<b>P-01021</b>	10 x 1-15/16 x 6-7/8	Pocket folder with 1/4" and 1-1/2" capacity pockets; envelope style closure; B-303

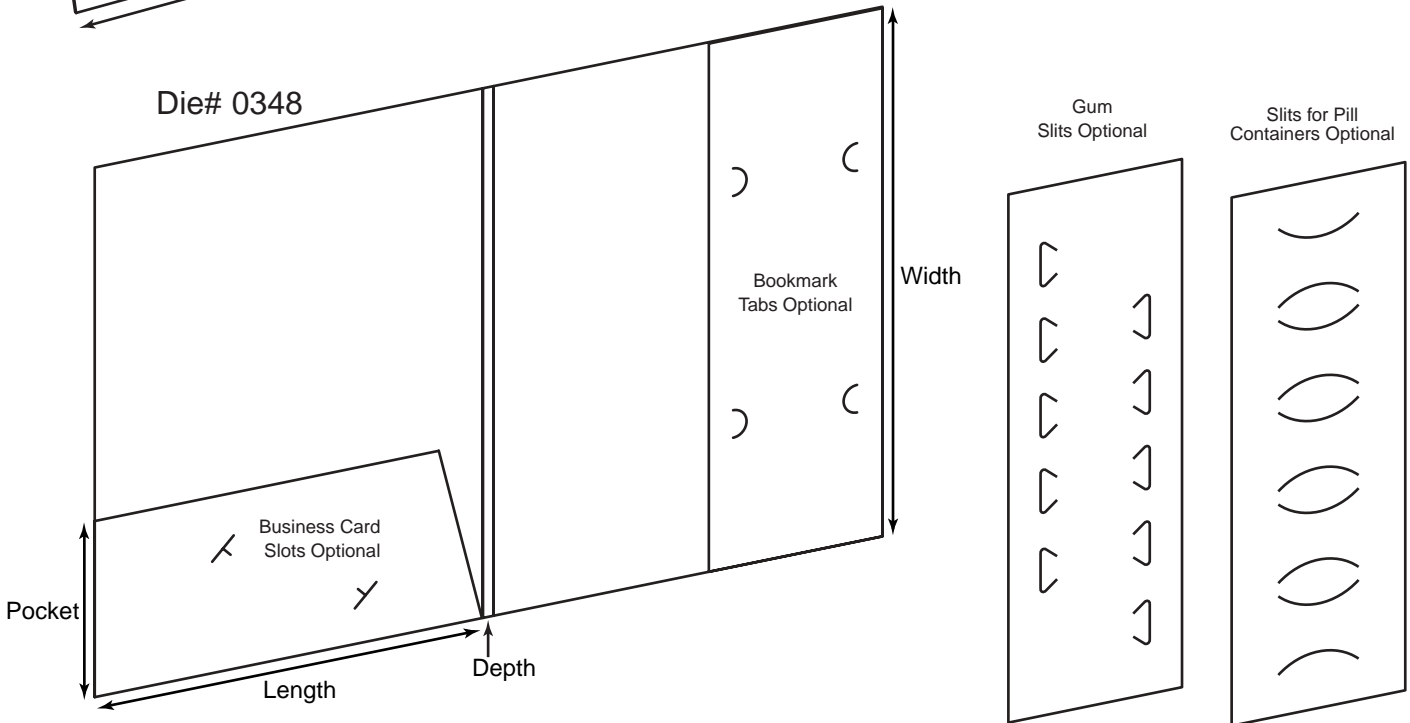
P-01601

Die# 0370

P-41



Die# 0348

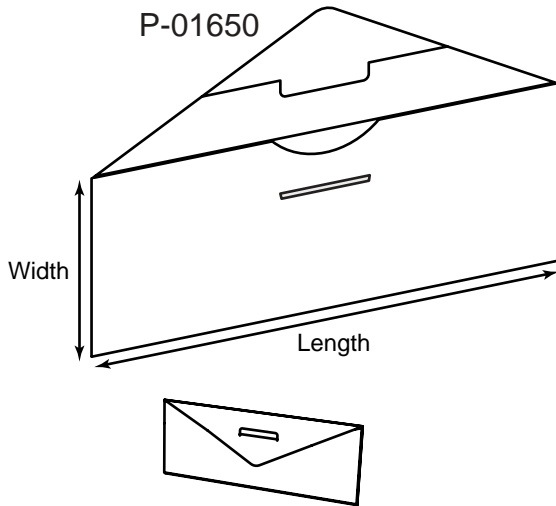
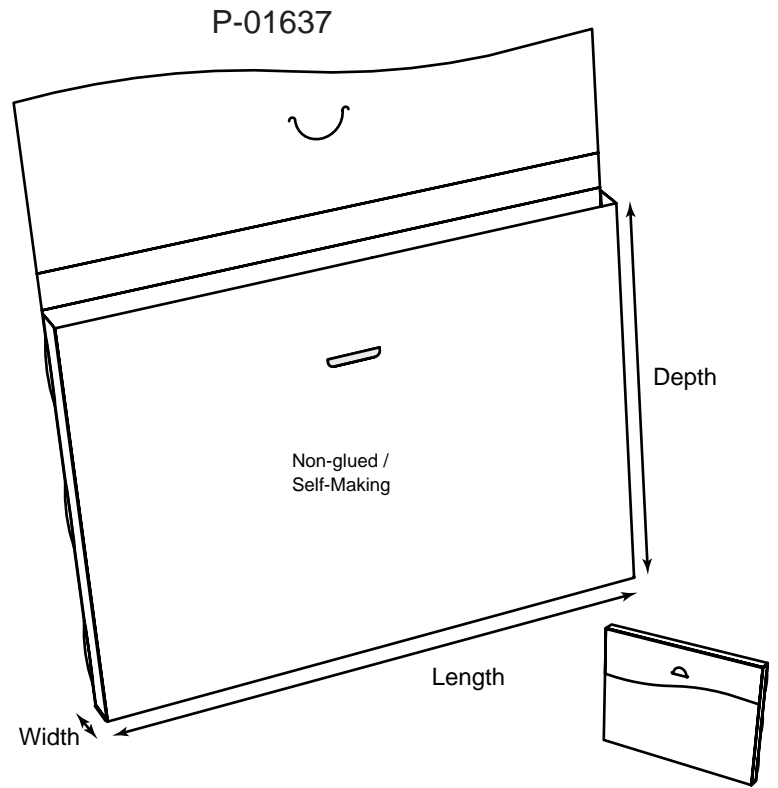
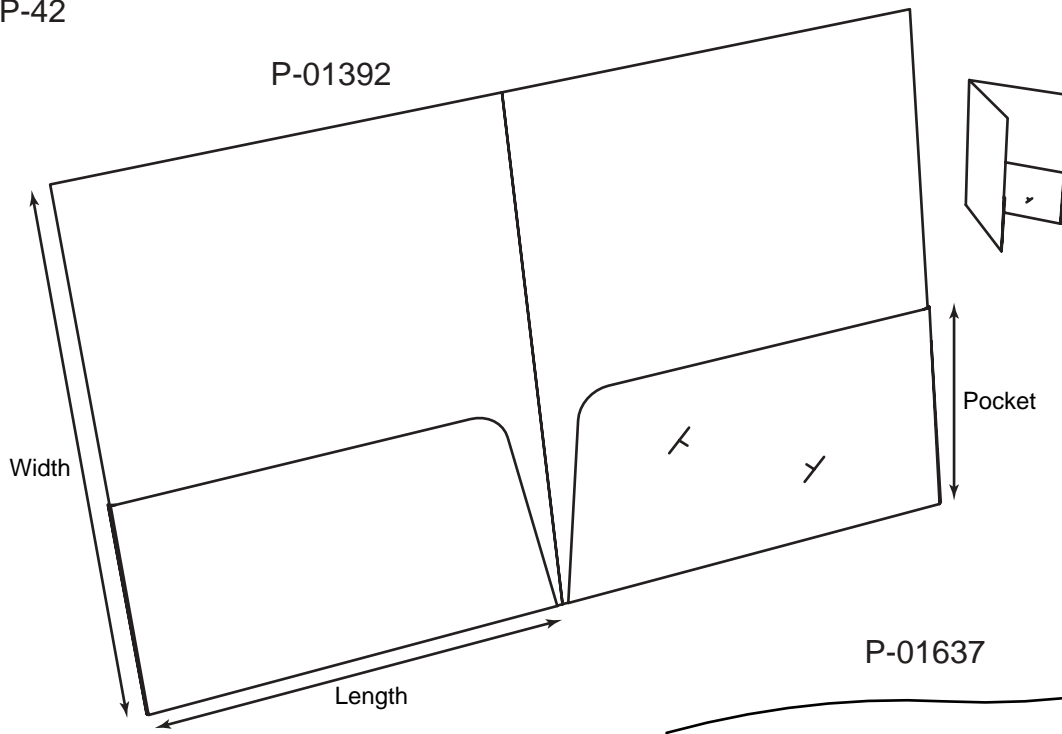


**POCKET FOLDERS  
PORTFOLIOS**

**Product Type: Pocket Folders and Portfolios**

**Die #**    **Length x Width x Depth**    **Description**

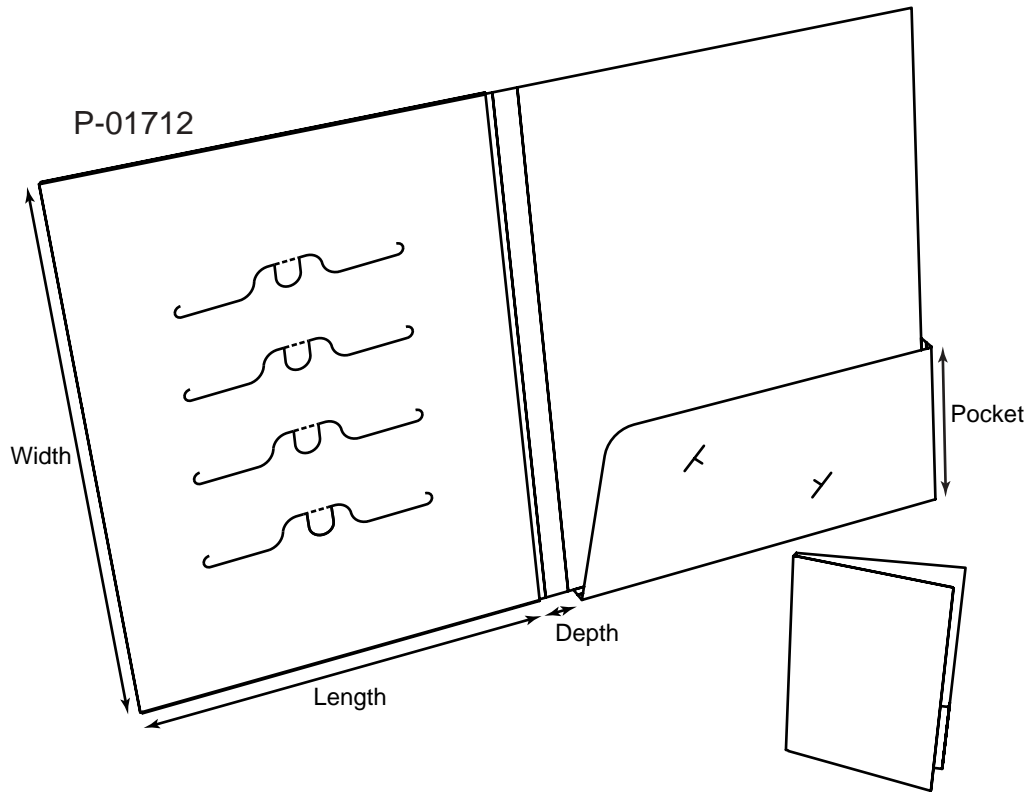
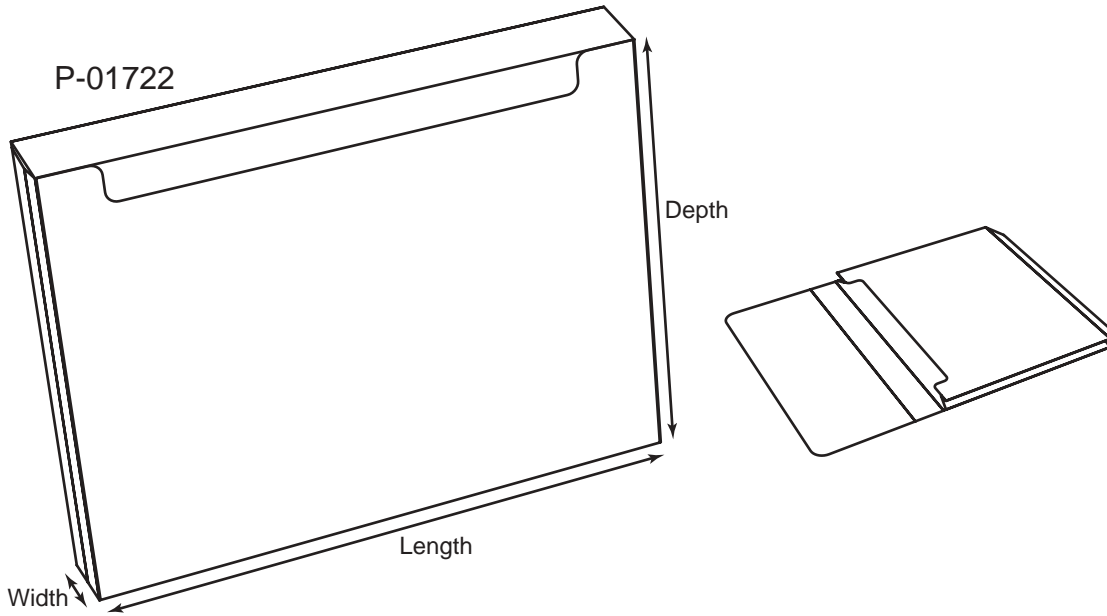
Die #	Length x Width x Depth	Description
<b>P-01601</b>	13 x 10-1/2	Pocket folder/portfolio with business card slits; 0530, B-549
<b>0370</b>	13-1/16 x 9/16 x 10-5/16	Pocket folder/portfolio with business card slit
<b>0348</b>	9 x 12 x 1/4	4" pocket with removable business card slit; three options for vertical pocket: 4-bookmark tabs, 5-gum silts, or 5-pill container slits; 0233 has same pockets without tabs or slits



POCKET FOLDERS  
PORTFOLIOS

**Product Type: Pocket Folders and Portfolios**

Die #	Length x Width x Depth	Description
<b>P-01392</b>	9 x 12	Folder has a 5" pocket with a removable business card slit at right; 0449
<b>P-01637</b>	12 x 13/16 x 9	Plastic portfolio folder, hand setup, non-glue; B-571-JF
<b>P-01650</b>	10-1/2 x 4	Envelope style with a tuck flap; B-582-JF

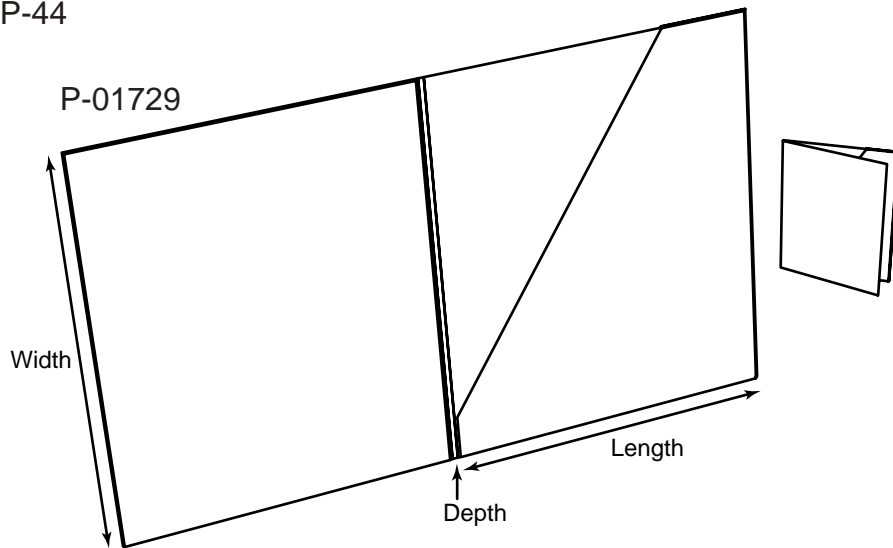


POCKET FOLDERS  
PORTFOLIOS

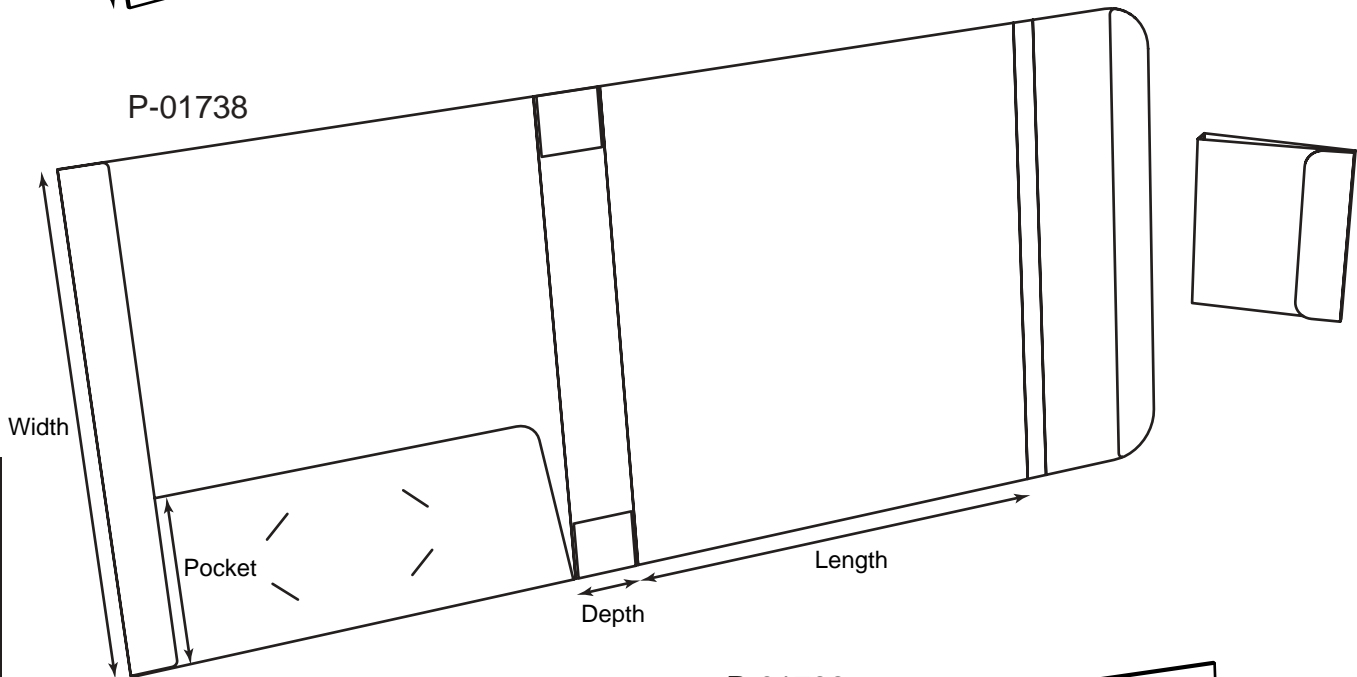
**Product Type: Pocket Folders and Portfolios**

Die #	Length x Width x Depth	Description
<b>P-01722</b>	12-5/16 x 1-1/2 x 9-5/8	File folder with expandable capacity and security file tabs; B-619
<b>P-01712</b>	9 x 12 x 9/16	Pocket Folder with two pockets. Inside left is a vertical 9 x 12 gusseted pocket, with four CD slit locks. Inside right is a horizontal, expandable, gusseted 1/2" capacity by 4" pocket with business card slit; B-612

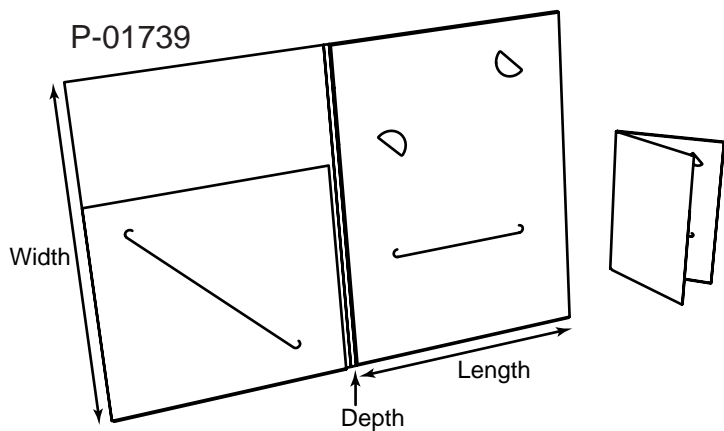
P-44



P-01738



P-01739

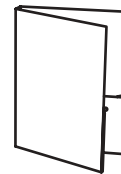
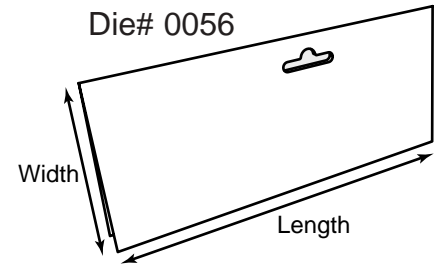
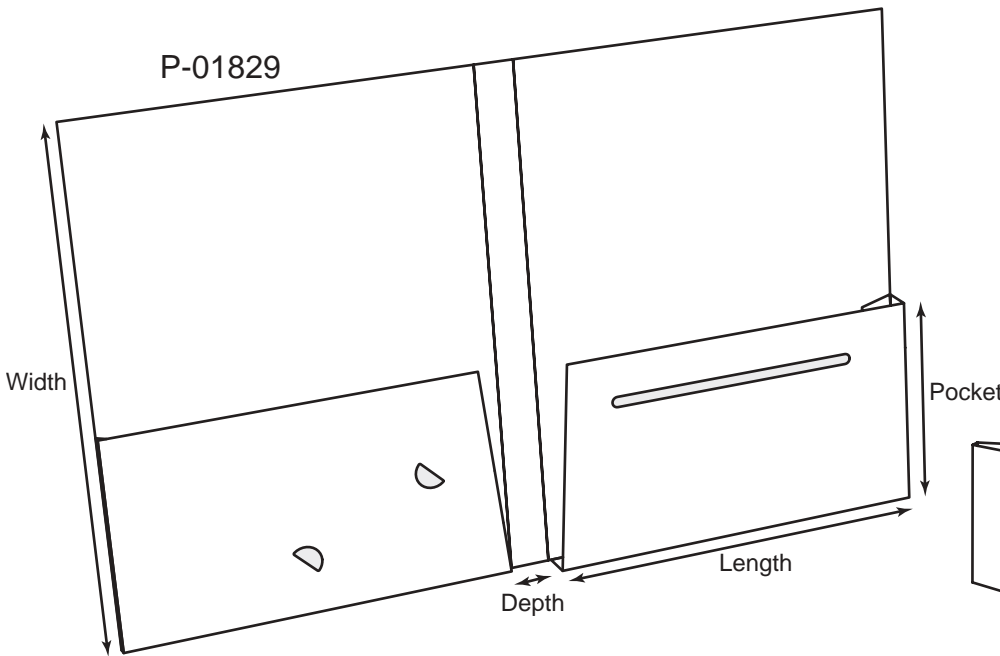
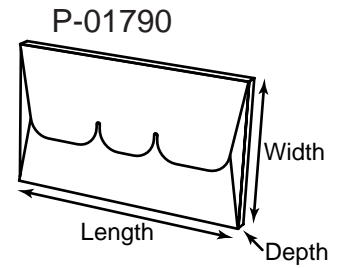
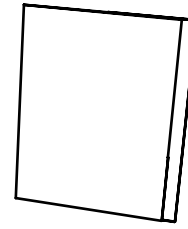
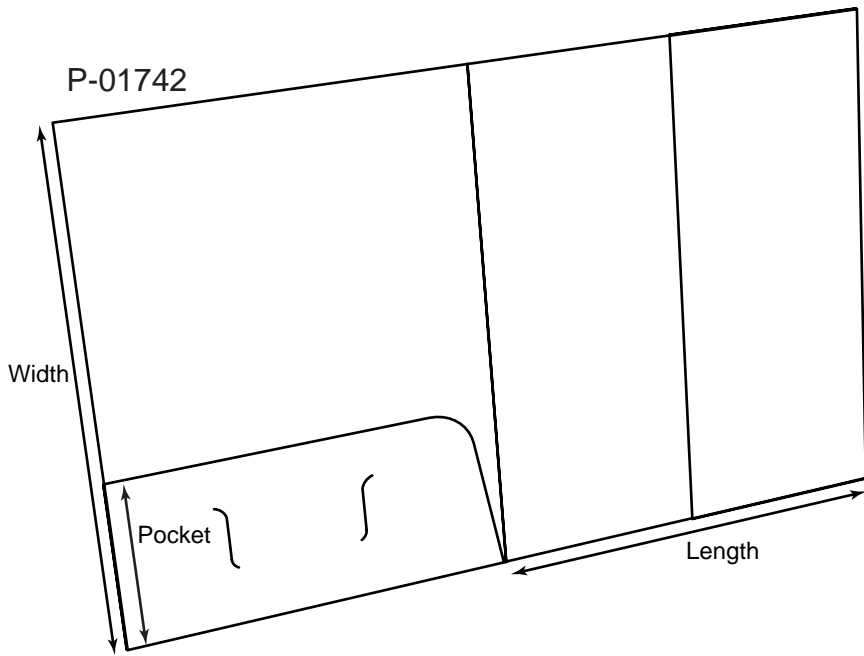


POCKET FOLDERS  
PORTFOLIOS

**Product Type: Pocket Folders and Portfolios**

*Die #      Length x Width x Depth      Description*

<b>P-01729</b>	7-3/8 x 9 x 1/8	Pocket folder with an angled pocket; B-624-JF
<b>P-01738</b>	10 x 11-1/2 x 1-1/2	Pocket folder with reinforced edges; B-630
<b>P-01739</b>	5-1/2 x 7-3/4 x 1/8	This multi purpose piece has a business slot, mini CD, and CD slit; B-631



POCKET FOLDERS  
PORTFOLIOS

**Product Type: Pocket Folders, Card Holder and Card Hanger**

Die #	Length x Width x Depth	Description
<b>P-01742</b>	9-1/2 x 12	Pocket folder has a 4-3/4" vertical pocket and a 4" horizontal pocket with business card slits; B-632-JF
<b>P-01790</b>	5-1/16 x 3-1/16 x 1/4	Picture card holder - wrap, tucks in two places; B-664-JF
<b>0056</b>	Variable	Header card hangers with punched hole and score
<b>P-01829</b>	9 x 12 x 15/16	Pocket folder with two 5" pockets with capacity; left is 3/16" with removable business card slots, right is 3/4" with 5-3/16" literature slot; B-684-JF