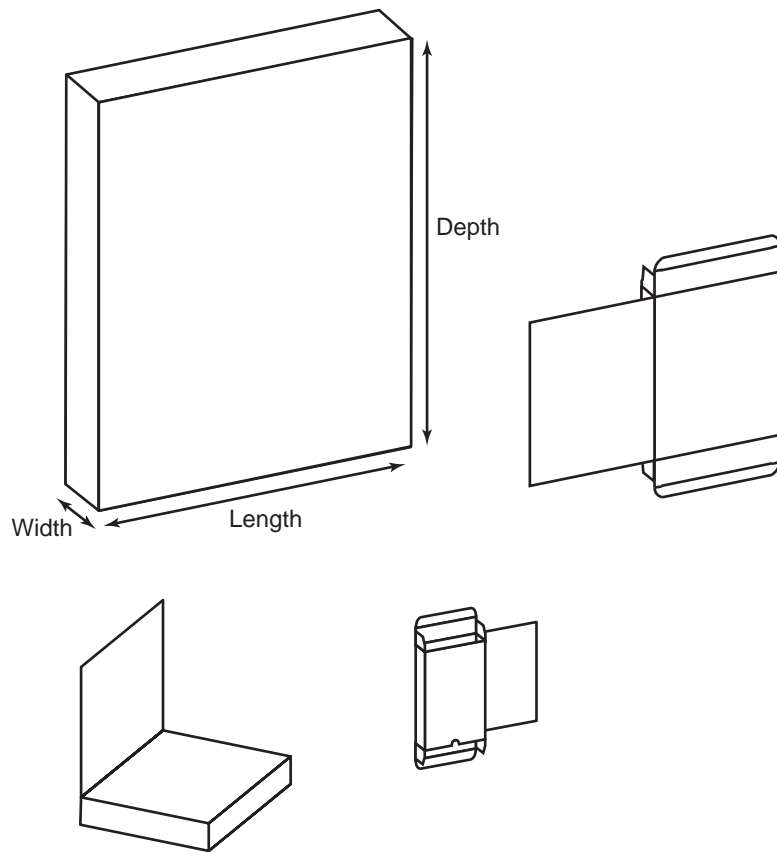
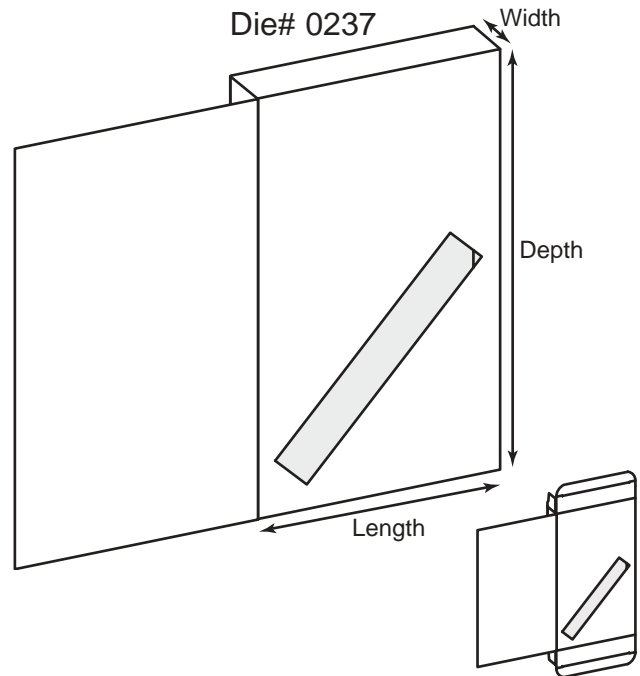
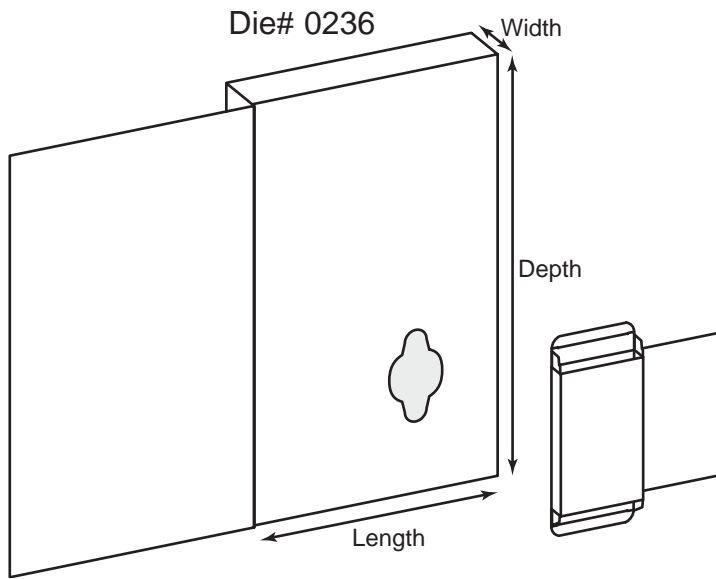
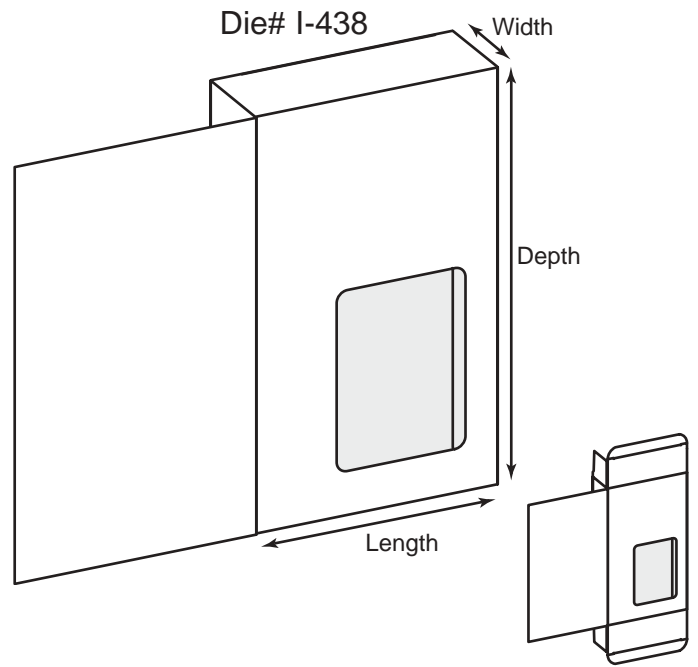
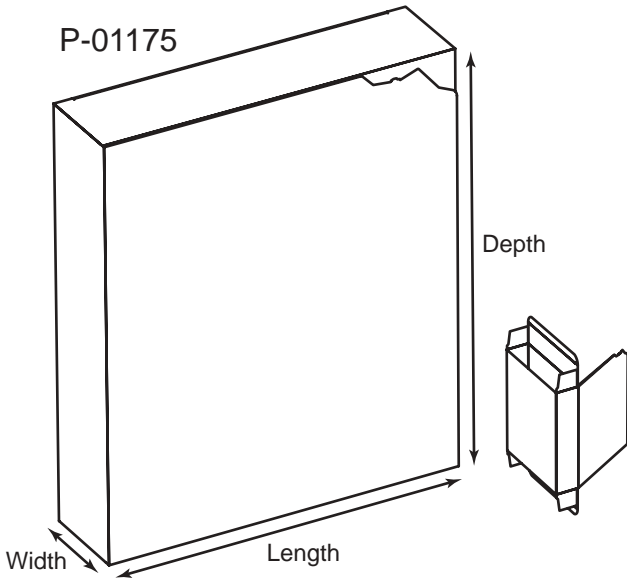


Product Type: **Straight Double Tuck**

Die #	Length x Width x Depth	Die #	Length x Width x Depth
0022	6+7/8 x 1+1/16 x 8+7/8	I-104	8+7/8 x 1+5/8 x 10+1/4
0052	2 x 1+1/2 x 8	I-131	8+9/16 x 3+9/16 x 11
0073	5+9/16 x 1+5/16 x 8+3/4	P-02274	8 x 2 x 10; I-251
P-02156-A	5+1/2 x 1+7/16 x 8+7/8	I-292	8+1/8 x 1+11/16 x 9+3/4
0084	4+1/4 x 2+5/16 x 10+9/16	I-295	8+3/4 x 2+1/8 x 10+1/2
0085	4+3/8 x 1+5/8 x 7	I-315	7 x 1+1/2 x 9
0086	7+3/16 x 1+1/8 x 6+7/8	P-01031	13+1/4 x 9/16 x 19+1/4; B-307
0087	5+1/2 x 1+9/16 x 6+1/2	P-01056	5+13/16 x 4+7/8 x 7+5/8; B-324
0093	4+1/8 x 2+1/4 x 7+7/16	P-01114	9 x 1+1/2 x 12; B-012-JF
0101	4+15/16 x 1+1/4 x 7	P-01152	8+1/4 x 1+3/4 x 10+5/8; B-025-JF
0122	5+3/4 x 1 x 8+3/16	P-01199	7 x 1+1/2 x 8+7/8; B-074 --use insert 0245
0133	6+1/2 x 1/2 x 9+1/4	P-01309	7 x 3/4 x 7; B-398-JF
0191	8 x 1+1/2 x 10+1/4	P-01369	8+3/8 x 2+1/4 x 10; 0441
0197	7+1/2 x 1/2 x 9+1/2	P-01465	5+1/4 x 1+1/4 x 7+1/2; B-458-JF
0235	9+1/2 x 2+3/8 x 9+1/8	P-01531	8 x 3 x 9+1/2; B-506
0359	7+1/2 x 2+1/4 x 10+1/4	P-01548	5+5/8 x 4+15/16 x 7/16; B-519
B-229-JF	4+3/8 x 1/2 x 5+7/8	P-01563	8+1/2 x 1+7/8 x 10+1/2; B-526-JF
B-240-JF	8 x 1 x 9+3/8	P-01609	1+7/8 x 1+7/8 x 5+1/4; 0528
P-01812	4+1/2 x 2 x 4+1/2; 1+1/2" window 0588, B-267	P-01687	7+1/2 x 1+1/2 x 9+1/2; I-234
B-285-JF	4+1/2 x 1+7/16 x 9+1/8	P-01728	2+3/8 x 1+1/2 x 5; 0562
P-02239	4+1/8 x 1+1/16 x 7+7/16; 0094, I-018	P-01743	7+7/8 x 2+1/2 x 4+1/8; 0568
I-046	9+15/16 x 2+7/8 x 11+3/4		


Product Type: Six Panel Double Tuck

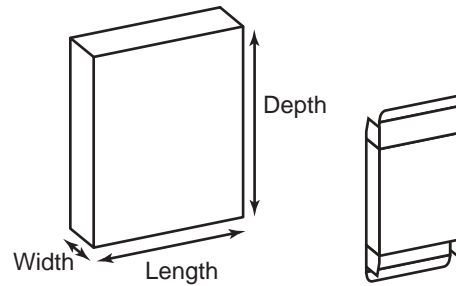
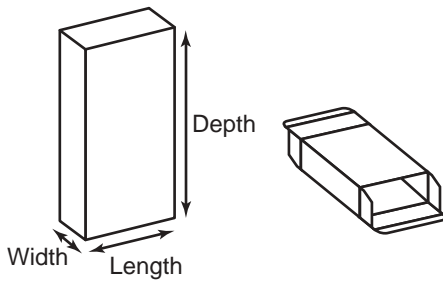
Die #	Length x Width x Depth	Description
I-334	8+1/4 x 1+7/8 x 10+5/8	6 Panel double tuck box
I-393	7+9/16 x 2+15/16 x 10+3/8	6 Panel double tuck box
P-01993	8+1/8 x 1+3/4 x 9+3/4	6 Panel double tuck box; I-417
P-01472	5+3/8 x 1+5/16 x 7+5/8	6 Panel double tuck box; B-463
P-01540	8 x 1+3/4 x 9+1/2	6 Panel double tuck box, outside flap 1" shorter; B-515, B-538
P-01570	8 x 1+1/2 x 9+1/2	6 Panel double tuck box; B-531
0117	4+3/16 x 1+1/16 x 7+7/16	6 panel double tuck with thumb slot on back panel



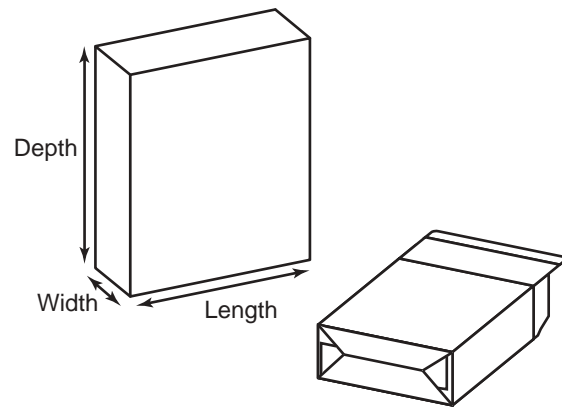
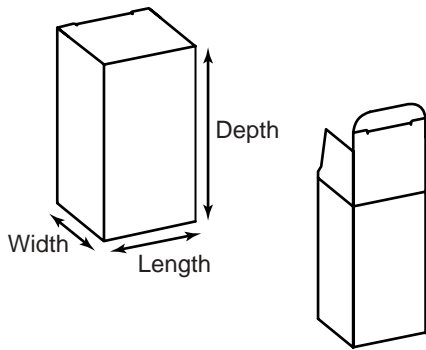
Product Type: **Six Panel Double Tuck Miscellaneous**

Die #	Length x Width x Depth	Description
P-01175	8 x 2+1/16 x 9+1/2	Six panel double tuck with book fold cover; B-048
I-438	5+5/8 x 2+1/8 x 9+1/2	Six panel double tuck product box with window
0236	5+5/8 x 1/2 x 9+1/2	Six panel double tuck box with window on inside front panel
0237	5+5/8 x 1+1/4 x 9+1/2	Six panel double tuck with window on inside front panel



Product Type: **Reverse Double Tuck**

Die #	Length x Width x Depth	Die #	Length x Width x Depth
0021	1+3/4 x 1+5/8 x 8+5/8	I-212	9+1/8 x 2+1/2 x 13
0033	8 x 1+1/16 x 9+11/16	P-02373	1+3/4 x 1+3/4 x 3+1/2; I-302
0047	7+1/8 x 1+9/16 x 10+5/16	I-303	2+9/16 x 2+7/16 x 5+7/8
0049	7+1/2 x 1+5/8 x 9+1/8	I-374-JF	2+3/8 x 2+3/8 x 5+7/16
0071	2+5/8 x 1+1/4 x 6+1/4	P-01063	7+1/2 x 1+1/2 x 9+1/2; 0458, I-031
0099	6+1/8 x 1+3/8 x 7+5/8	P-01080	4+1/8 x 1+1/16 x 7+7/16; 0393
0114	9 x 1+3/4 x 10	P-01129	2+9/16 x 2+7/16 x 5+7/8; B-050-JF, B-355
0125	3 x 1+1/2 x 3+7/8	P-01203	9+3/4 x 1+3/8 x 6+3/4; B-078-JF
0142	7+1/8 x 1+9/16 x 9+1/4	P-01272	4+1/2 x 2+1/4 x 5+3/4; B-113
P-02029	8 x 1+1/16 x 9+3/4; 0146	P-01339	6+13/16 x 1+3/16 x 6+3/4; B-121-JF
0147	7+1/8 x 1+9/16 x 9+5/16	P-01355	7+13/16 x 1+3/8 x 9+1/2; 0591, B-136
0148	8+1/8 x 2+1/8 x 10	P-01411	2+1/8 x 1/2 x 3+1/4; 0456
0171	7+1/2 x 1+3/4 x 9+1/2	P-01415	1+1/4 x 1+1/4 x 1+1/2; 0459
0188	1+1/2 x 1+1/2 x 4+1/2	P-01499	3+1/2 x 3+1/2 x 3+1/2; B-485-JF
0232	1+3/4 x 1+3/4 x 1+3/4	P-01502	8+7/8 x 2 x 9+1/2; 0262, B-488-JF
0234	1+1/2 x 1+1/2 x 3+1/2	P-01529	3 x 1 x 4; 0506
0306	4+3/16 x 3+3/8 x 7+9/16	P-01551	5+1/4 x 1 x 5+1/4; 0508
0332	6+9/16 x 1+5/8 x 4+5/16	P-01591	4+15/16 x 1+11/16 x 5+11/16; B-540-JF
B-144	3+1/16 x 3+1/16 x 6+15/16	P-01618	3+3/16 x 13/16 x 5+5/16; 0532
B-148-JF	2+1/2 x 1 x 4	P-01629	1+5/16 x 1+5/16 x 4+11/16; 0539
B-210-JF	7 x 2+1/2 x 11	P-01630	1+13/16 x 1+3/4 x 7; 0540
B-228	4+9/16 x 1+1/16 x 6	P-01631	1+7/16 x 1+7/16 x 3+7/8; 0541
B-232-JF	2+3/4 x 2+1/4 x 3+3/4	P-01634	7/8 x 7/8 x 3+1/2; B-569-JF
I-025	7+3/4 x 3+11/16 x 9+13/16	P-01555	1+1/4 x 1+1/4 x 1+3/4; 0510
I-027	7+1/2 x 3/4 x 9+1/8	P-01632	2+3/8 x 2+3/8 x 2+1/4; 0542
I-048	2+5/8 x 1+5/16 x 4+1/2	P-01655	5+1/4 x 1+1/4 x 7+1/2; 0645, B-587-JF
I-050	7+9/16 x 13/16 x 9+1/8	P-01680	6+1/4 x 3/4 x 6+1/4; 0556
I-056	8+1/2 x 2+1/2 x 11	P-01745	5+9/16 x 1+3/8 x 8+7/8; B-635
P-02298	4+3/8 x 1+1/8 x 6+15/16; I-080	P-01030	8 x 1+1/2 x 9+1/2; 0378
I-134	1+7/8 x 1+7/8 x 4	P-01763	1+5/16 x 1+5/16 x 1+5/16; 0574
P-01992	5 x 2+1/2 x 4; I-183		

Product Type: **Auto-Lock Bottom Tuck Top**

Die # Length x Width x Depth Description

0051	5+1/8 x 3+7/8 x 4+1/8	I-105	8+3/16 x 2+3/8 x 9+1/2
0053	5+1/4 x 1+1/2 x 5+5/8	I-114	8 x 3+1/8 x 9+3/4
0135	3+3/8 x 3+3/8 x 4	I-116	8 x 2 x 9+3/4
0313	5+1/4 x 4+3/8 x 3+1/2	I-129	7+13/16 x 1+7/8 x 10
0323	4+13/16 x 3+7/8 x 3+3/8	I-169	8 x 2+5/8 x 9+3/4
B-149	10 x 6 x 2+3/8	I-403-JF	7+3/4 x 3+1/4 x 9+1/4
B-150	9+7/8 x 2+1/2 x 3+1/8	P-01010	4+3/8 x 3+1/2 x 3+3/8; B-297-JF
B-151	7+1/2 x 2+1/2 x 2+1/4	P-01015	3+7/8 x 3+3/16 x 3; 0376
B-153	7 x 4 x 3	P-01022	3+3/8 x 2+7/8 x 2+1/2; 0377
B-154	11+1/16 x 4+3/4 x 3+1/2	P-01100	8+1/8 x 1+1/2 x 9+1/2; B-348
B-155	4+1/8 x 3+7/8 x 3	P-01204	6 x 4+1/8 x 7+1/2; B-079-JF
B-156	10+1/2 x 4+1/8 x 2+5/8 (locking tab top)	P-01208	7 x 4+1/8 x 7+1/2; B-083
B-157	7+3/4 x 2+7/16 x 2+13/16	P-01210	8+3/4 x 3+3/4 x 7+9/16; B-367
B-158	10 x 4+3/4 x 7+7/8	P-01243	6+5/8 x 2+1/4 x 4; B-382
B-159	14+5/8 x 3+1/8 x 5+15/16	P-01245	3+3/16 x 2+7/8 x 4; B-383
B-160	9+1/2 x 7+3/4 x 2+5/8	P-01269	10+1/2 x 2+1/2 x 4+5/8; B-110
B-161	13 x 6+1/8 x 4	P-01270	8 x 2+1/16 x 4+1/4; B-111-JF
B-162	6 x 4 x 3	P-01296	2+7/8 x 2 x 5+3/8; BSK-395
B-163	9 x 3+3/4 x 3+1/2	P-01297	5 x 2 x 5+3/8; BSK-395
B-164	11+1/2 x 4+3/4 x 2+3/4	P-01456	6+1/4 x 2 x 5+7/8; 0482, I-363-JF
B-186	8+1/2 x 4 x 2+3/8	P-01493	8+1/2 x 2+1/2 x 11; B-479-JF
B-187	8+1/2 x 2+3/4 x 2+3/8	P-01560	5+1/2 x 2+3/4 x 1+3/4; B-523
B-188	8+1/16 x 3+3/8 x 2+3/8	P-01659	7+7/16 x 1+15/16 x 9+1/16; 0547
B-189-JF	6+7/16 x 3+1/8 x 5+3/4	P-01693	3+5/8 x 2+1/4 x 8+1/4; B-601
B-209-JF	3 x 2 x 3+3/4	P-01718	7+7/8 x 3+9/16 x 9+1/16; B-616
B-246-JF	3+15/16 x 2+15/16 x 5+5/16	P-01788	4 x 4 x 4; 0584
B-253	9 x 4+11/16 x 2+1/2		